



# Ri50 Contura Wood Fireplace

Owners &  
Installation Manual



**French Manual:** <https://bit.ly/2FIEatU>  
**Manuel en Français:** <https://bit.ly/2FIEatU>

Tested by:



**Installer:** Please complete the details on the back cover and leave this manual with the homeowner.  
**Homeowner:** Please keep these instructions for future reference.

A warm welcome to the Contura family. We hope you will get a great deal of pleasure from your new wood fireplace. As a new owner of a Contura fireplace, you have secured a product with timeless design and long service life.

Read through the installation instructions carefully before installation. Read how to best light your fireplace in the lighting instructions.

The Contura Ri50 features a smooth, quiet guillotine door and fire viewing from three sides. This fireplace combines technology, engineering and simple installation.

The Contura Ri50 wood fireplace is a decorative fireplace that provides aesthetic enjoyment with over 500 square inches of fire viewing area. This fireplace is defined as a fireplace (primarily for aesthetics) under the 2015 EPA regulations.



Tool List

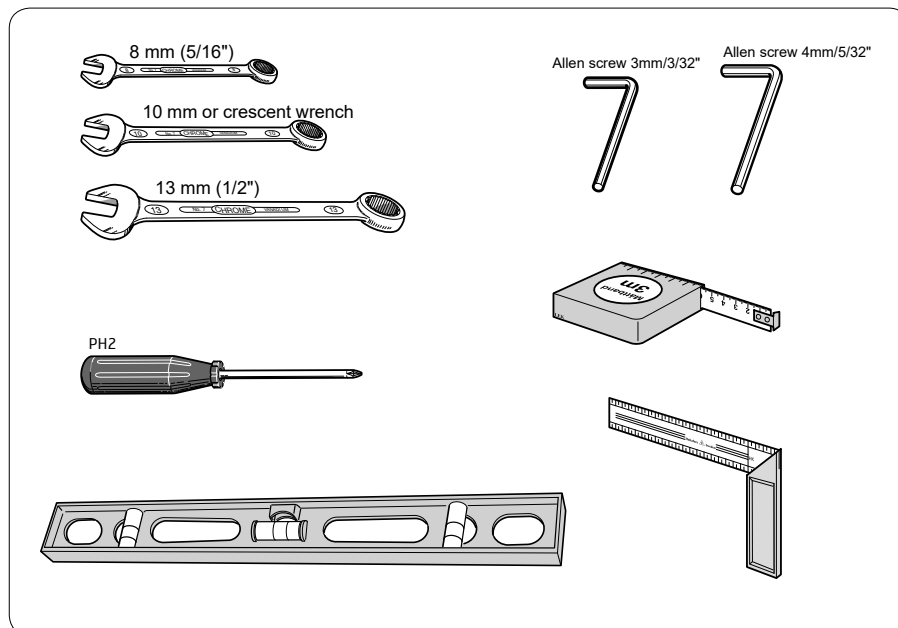


Table of Contents

Serial decal for Contura Ri50 ..... 5

Unit dimensions ..... 6

Residential Installation..... 8

Room Air - Important ..... 8

Minimum clearance to combustibile materials ..... 9

Combustible wall finishing material clearances ..... 11

Prior to installation ..... 12

Function check ..... 13

Installing the heat deflector..... 13

Step-by-step chimney and ..... 14

Connector installation ..... 14

Masonry Chimney..... 16

Masonry Fireplace ..... 16

Factory Built Chimney..... 16

Combustible wall chimney connector pass-throughs..... 17

Recommended heights for fireplace flue ..... 19

Mobile home installation ..... 20

Supply of combustion air ..... 22

Steel surround installation ..... 23

Disc base..... 39

Installing the firebox cladding ..... 40

Ash disposal ..... 43

Safety guidelines and warnings ..... 43

Seasoned Firewood..... 44

Door operation..... 45

Lighting for the first time ..... 46

Lighting ..... 46

Adding wood..... 47

Cleaning your chimney ..... 47

Firebox maintenance ..... 48

Service Manual: Inspections, Maintenance ..... 49

Replacement parts ..... 67

Technical specifications		
Model	Contura Ri50	Log box (option)
Weight (kg)	215kg / 474lbs (Steel surround)	50kg / 110lbs
Weight (kg)	290kg / 640lbs (Stone surround)	
Width (mm)	30-5/16" (770mm)	15-3/4" (400mm)
Depth (mm)	19-11/16" (500mm)	19-11/16" (500mm)
Height (mm)	65" (1650mm)	19-11/16" (500mm)
Connector diameter	6" (152mm)	
Log size	up to 16" (406mm)	

### General

This manual contains instructions about how to assemble and install the Contura Ri50. Read it carefully and keep it safe for future use. To ensure the function and safety of the firebox, we recommend that installation is carried out by an authorized technician.

### Application to local authority

Before installing a firebox or erecting a chimney, it is necessary for you to make an application for permission to your local authority. Ask your local authority for advice regarding regulations and the application.

Tested by OMNI-Test Laboratories

Report number: 0219WS023S

Tested to UL 1482-2011 (R2015) and ULC S627-00.



### Structural support

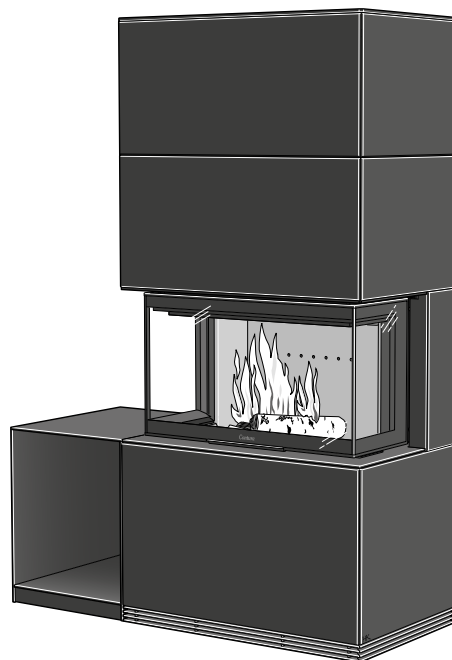
If the firebox is to be positioned on a wooden joist, a structural engineer should evaluate the load capacity of the floor. When the gross weight exceeds 400kg (882lbs), reinforcement of the wooden joists is usually necessary.

### Hearth Pad

Due to the risk of falling embers, a flammable floor must be protected by a hearth plate.

### Walls behind

Your Contura Ri50 can be installed against a masonry chimney either using the top venting with an elbow or rear venting--see installation sections. Or have a flush look on a combustible wall with use of the optional Trim Kit.




# Serial decal for Contura Ri50

# safety decal

This is a copy of the data badge that accompanies each Contura Ri50 Wood Fireplace. We have included a copy of the contents here for your review.

**NOTE:**  
Contura units are constantly being improved. Check the decal on the unit and if there is a difference, the label on the unit is the correct one.



OMNI-Test Laboratories, Inc.  
Report #0219WS023S

**LISTED SOLID FUEL FIREPLACE**  
**FOYER À COMBUSTIBLE SOLIDE HOMOLOGUÉ**

**MODEL: CONTURA Ri50**  
**TESTED TO / APPROUVÉ POUR : UL-1482 -2011 (R2015) / ULC-S627-00**

**462**

**DO NOT REMOVE THIS LABEL**  
**NE PAS ENLEVER CETTE ÉTIQUETTE**

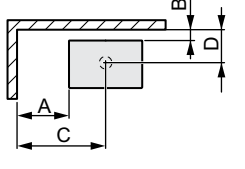
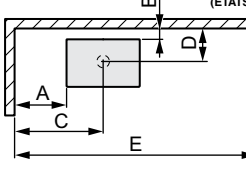
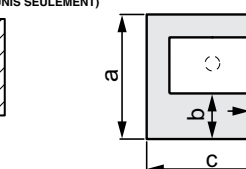
**462**

THE RI50 WOOD FIREPLACE IS A DECORATIVE APPLIANCE AS DEFINED UNDER THE 2015 EPA REGULATIONS. INSTALL AND USE ONLY IN ACCORDANCE WITH THE MANUFACTURER'S INSTALLATION AND OPERATING INSTRUCTIONS. CONTACT LOCAL BUILDING OR FIRE OFFICIALS ABOUT RESTRICTIONS AND INSTALLATION INSPECTION IN YOUR AREA. USE 6" (152MM) DIAMETER MINIMUM DOUBLE WALL CONNECTOR WITH LISTED UL103 HT OR ULCS629, UL1777 LINER FACTORY-BUILT CHIMNEY SUITABLE FOR USE WITH SOLID FUELS OR MASONRY CHIMNEY. SEE LOCAL BUILDING CODE AND MANUFACTURER'S INSTRUCTIONS FOR PRECAUTIONS REQUIRED FOR PASSING A CHIMNEY THROUGH A COMBUSTIBLE WALL OR CEILING. DO NOT PASS CHIMNEY CONNECTOR THROUGH COMBUSTIBLE WALL OR CEILING. DO NOT CONNECT THIS UNIT TO A CHIMNEY FLUE SERVING ANOTHER APPLIANCE.


LE FOYER AU BOIS RI50 EST UN APPAREIL DÉCORATIF TEL QUE DÉFINI PAR LA RÉGLEMENTATION EPA 2015. À INSTALLER ET UTILISER SEULEMENT CONFORMÉMENT AUX CONSIGNES D'INSTALLATION ET D'UTILISATION DU FABRICANT. CONTACTER LES AUTORITÉS LOCALES DU BÂTIMENT OU LE SERVICE INCENDIE POUR CONNAÎTRE LES RESTRICTIONS D'INSTALLATION ET LES RÈGLES D'INSPECTION DANS VOTRE RÉGION. UTILISER UN CONNECTEUR DOUBLE PAROI D'UN DIAMÈTRE MINIMAL DE 152 MM (6 PO) AVEC CHEMINÉE PRÉFABRIQUÉE HOMOLOGUÉE UL103 HT ULCS629, UL 777 CONÇUE POUR ÊTRE UTILISÉE AVEC DES COMBUSTIBLES SOLIDES OU UNE CHEMINÉE DE MAÇONNERIE. VOIR LE CODE DU BÂTIMENT LOCAL ET LES INSTRUCTIONS DU FABRICANT CONCERNANT LES PRÉCAUTIONS EXIGÉES POUR INSTALLER UNE CHEMINÉE TRAVERSANT UN MUR OU UN PLAFOND EN MATÉRIAUX COMBUSTIBLES. NE PAS FAIRE TRAVERSER LE CONNECTEUR DE CHEMINÉE DANS UN MUR OU UN PLAFOND EN MATÉRIAUX COMBUSTIBLES. NE PAS RACCORDER CET APPAREIL À UN CONDUIT DE CHEMINÉE DESSERVANT UN AUTRE APPAREIL.

MINIMUM CLEARANCES TO COMBUSTIBLE MATERIALS INSTALLATION USING 6" ONLY DOUBLE WALL CONNECTOR ONLY DÉGAGEMENTS MINIMAUX AUX MATÉRIAUX COMBUSTIBLES INSTALLATION AVEC CONNECTEUR DOUBLE PAROI 6 PO SEULEMENT		FLOOR PROTECTION: TYPE I Measurements from fuel loading door			
Side / Côté : A) 546mm / 21-1/2"	To Flue Centre Line / Axe central de la cheminée : D) 308 mm / 12-1/8"				
To Rear Shield / Écran arrière : B) 114mm / 4.5"	Alcove width / largeur alcôve : E) 2540mm / 100"	Canada	a 45-1/2" 1156mm	b 18" 457mm	c 62-1/2" 1588mm
To Flue Centre / Centre de cheminée : C) 893mm / 35-1/8"		USA	a 43-1/2" 1105mm	b 16" 406mm	c 58-1/2" 1486mm

ALSO USE FOR MOBILE HOMES (USA ONLY)  
À UTILISER ÉGALEMENT DANS LES MAISONS MOBILES (ÉTATS-UNIS SEULEMENT)

MINIMUM PARALLEL / ALCOVE CEILING HEIGHT: 2.29 M / 90"    MAXIMUM ALCOVE DEPTH 914MM / 36"  
HAUTEUR MINIMALE DU PLAFOND DE L'ALCÔVE : 2,29 M / 90PO.    PROFONDEUR MAXIMALE DE L'ALCÔVE : 914MM / 36 PO.



Manufactured by:

**NIBE AB**


Box 134  
Skulptörvägen 10  
285 35 Markaryd, Sweden

WARNING: THE SPACE BENEATH THE FIREPLACE MUST NOT BE OBSTRUCTED. OPERATE ONLY WITH FIREBRICKS IN PLACE. FOR USE WITH SOLID WOOD FUEL ONLY. USE OF OTHER FUELS MAY DAMAGE FIREPLACE AND CREATE A HAZARDOUS CONDITION. DO NOT OBSTRUCT COMBUSTION AIR OPENINGS. RISK OF SMOKE AND FLAME SPILLAGE, OPERATE ONLY WITH DOORS FULLY CLOSED. DO NOT USE GRATE OR ELEVATE FIRE. BUILD WOOD FIRE DIRECTLY ON HEARTH. DO NOT OVERFIRE - IF FIREPLACE OR CHIMNEY CONNECTOR GLOWS YOU ARE OVERFIRING. INSPECT AND CLEAN CHIMNEY AND CONNECTOR FREQUENTLY. UNDER CERTAIN CONDITIONS OF USE CREOSOTE BUILDUP MAY OCCUR RAPIDLY. KEEP FURNISHINGS AND OTHER COMBUSTIBLE MATERIAL AWAY FROM FIREPLACE. REPLACE GLASS ONLY WITH 4MM NEOCERAM GLASS. COMBUSTIBLE FLOOR MUST BE PROTECTED BY NON-COMBUSTIBLE MATERIAL EXTENDING BENEATH THE FIREPLACE AND TO THE FRONT AND SIDES AS INDICATED OR TO THE NEAREST PERMITTED COMBUSTIBLE MATERIAL.

OPTIONAL COMPONENTS: OUTSIDE AIR KIT, TRIM KIT  
CAUTION: HOT PARTS. DO NOT OPERATE UNIT WITH DOOR OR GLASS REMOVED.  
COMPONENTS REQUIRED FOR MOBILE HOME INSTALLATION: OUTSIDE AIR KIT

AVERTISSEMENT : L'ESPACE SITUÉ SOUS LE FOYER NE DOIT PAS ÊTRE OBSTRUÉ. FAIRE FONCTIONNER SEULEMENT LORSQUE LES BRIQUES RÉFRACTAIRES SONT EN PLACE. À UTILISER SEULEMENT AVEC UN COMBUSTIBLE DE BOIS SOLIDE. L'UTILISATION D'AUTRES COMBUSTIBLES PEUT ENDOMMAGER LE FOYER ET PRÉSENTER UN DANGER. NE PAS OBSTRUER LES OUVERTURES D'AIR DE COMBUSTION. RISQUE DE FUMÉE ET DE DÉBORDEMENT DES FLAMMES. FAIRE FONCTIONNER SEULEMENT AVEC LES PORTES COMPLÈTEMENT FERMÉES. NE PAS UTILISER DE GRILLE NI SURELEVER LE FEU. FAIRE LE FEU DIRECTEMENT SUR L'ÂTRE. NE PAS SURCHAUFFER - SI LE FOYER OU LE CONNECTEUR DE CHEMINÉE ROUGEIE, IL Y A SURCHAUFFE. INSPECTER ET FAIRE RAMONER FREQUEMMENT LA CHEMINÉE ET LE CONNECTEUR. DANS CERTAINES CONDITIONS D'UTILISATION, UN DÉPÔT DE CRÉOSOTE PEUT SE FORMER RAPIDEMENT. TENIR LES MEUBLES ET TOUT AUTRE MATÉRIAU COMBUSTIBLE À DISTANCE DU FOYER. REMPLACER LA VITRE SEULEMENT PAR UNE VITRE 4MM NÉOCÉRAM. LE PLANCHER COMBUSTIBLE DOIT ÊTRE PROTÉGÉ PAR UN MATÉRIAU NON COMBUSTIBLE SE PROLONGEANT SOUS L'APPAREIL, À L'AVANT ET SUR LES CÔTÉS, TEL QU'INDIQUÉ, OU JUSQU'AU MATÉRIAU COMBUSTIBLE LE PLUS PROCHE PERMIS.

PIÈCES EN OPTION : DISPOSITIF D'AIR EXTÉRIEUR, ENSEMBLE DE FINITION  
ATTENTION : PIÈCES CHAUDES, NE PAS FAIRE FONCTIONNER L'APPAREIL SANS LA PORTE OU LA VITRE.  
PIÈCES REQUISES POUR L'INSTALLATION DANS UNE MAISON MOBILE : DISPOSITIF D'AIR EXTÉRIEUR



**CAUTION**

HOT WHILE IN OPERATION DO NOT TOUCH. KEEP CHILDREN, CLOTHING AND FURNITURE AWAY. CONTACT MAY CAUSE SKIN BURNS. READ NAMEPLATE AND INSTRUCTIONS.

**ATTENTION**

SURFACES CHAUDES LORS DU FONCTIONNEMENT. NE PAS TOUCHER. GARDER LES ENFANTS, LES VÊTEMENTS ET LES MEUBLES À DISTANCE. LE CONTACT AVEC LA PEAU PEUT OCCASIONNER DES BRÛLURES. LIRE LES INSTRUCTIONS DE L'APPAREIL.

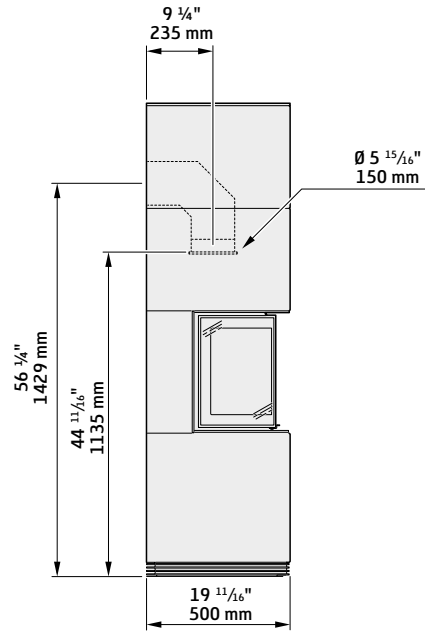
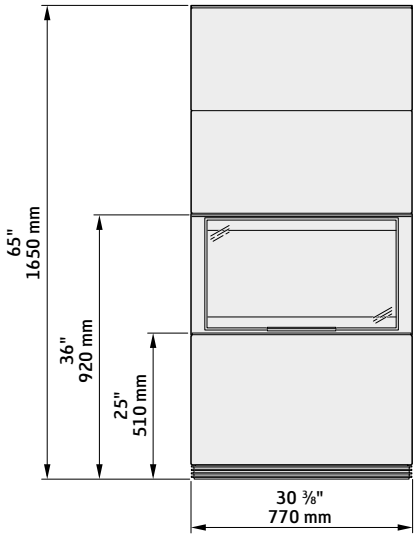
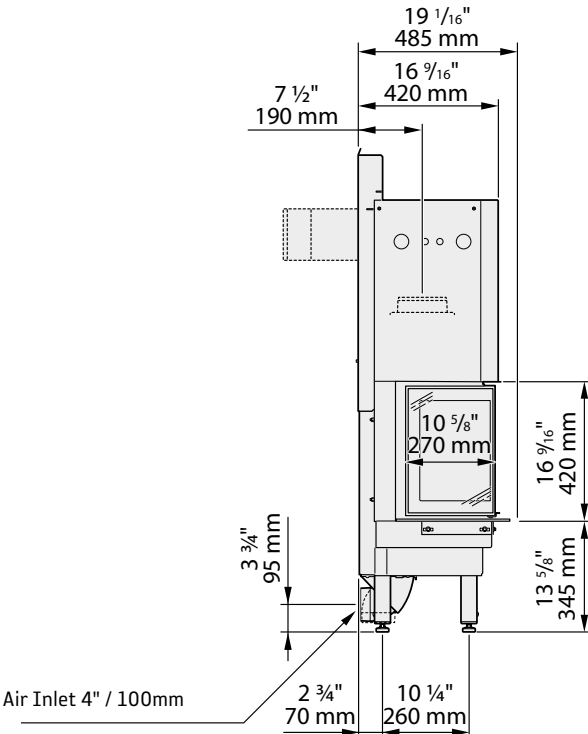
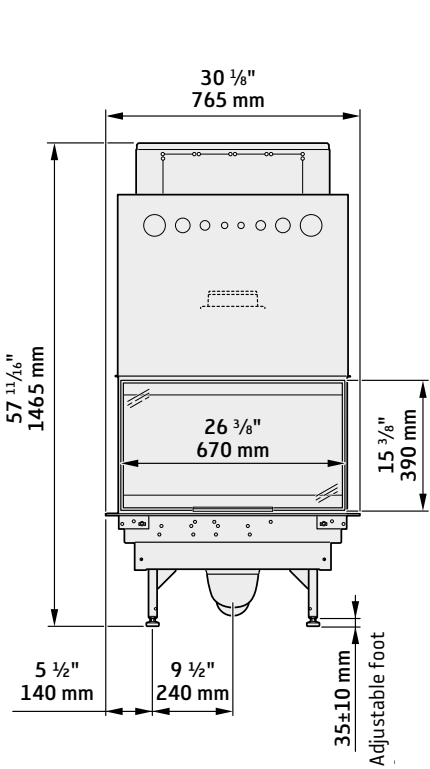
919-834

DATE OF MANUFACTURE

2018 ○ 2019 ○ 2020 ○ 2021 ○ 2022 ○

# dimensions

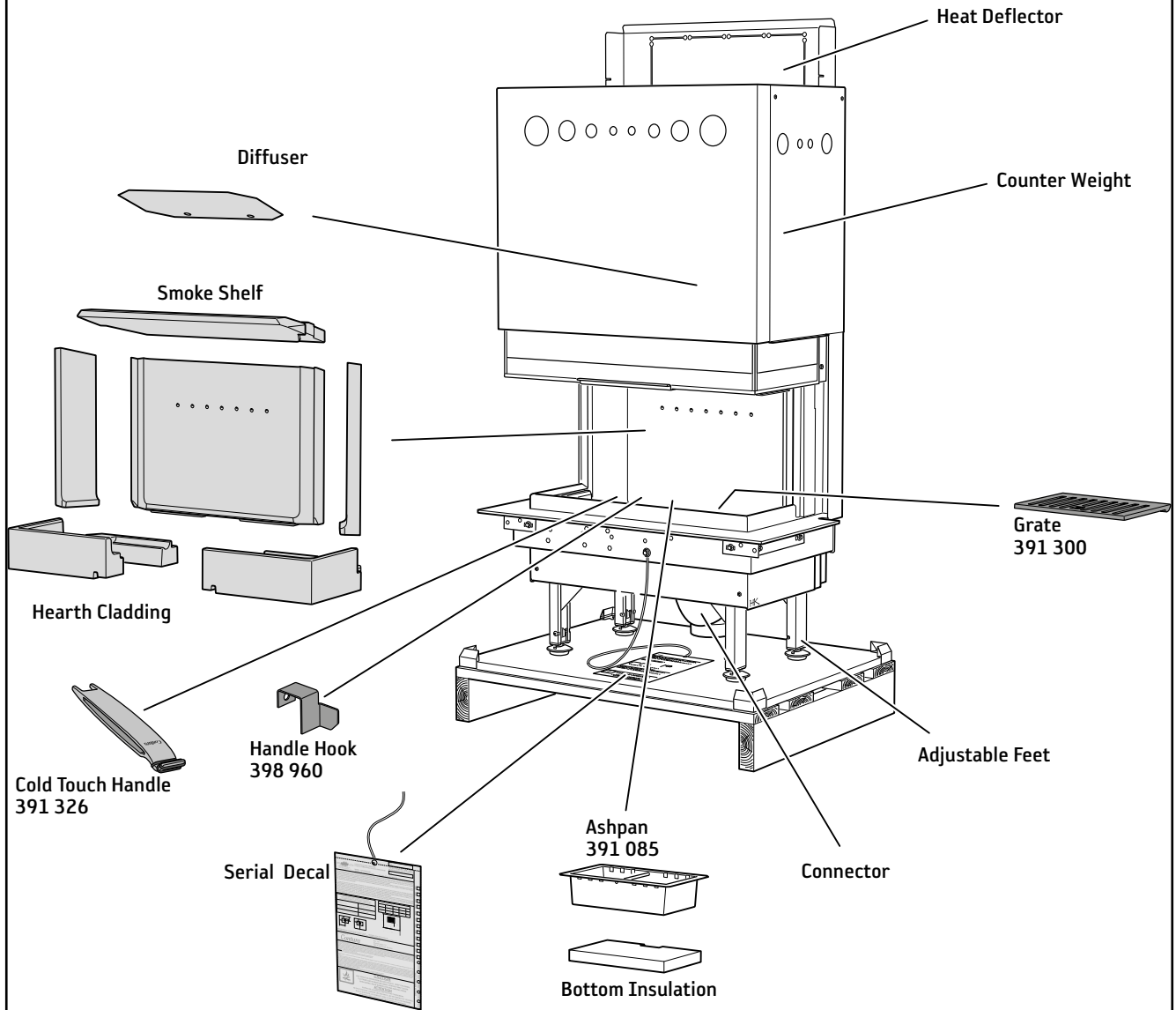
## Unit dimensions



(shown with surround)

# dimensions

## Unit components



## Residential Installation

1. Please read this entire manual before you install and use your new fireplace. Failure to follow instructions may result in property damage, bodily injury or even death. Be aware that local Codes and Regulations may override some items in this manual. Check with your local inspector.
2. Select a position for your Contura fireplace. Consult the minimum clearance chart for your model and set the fireplace in place. For installation, use listed double wall connector systems only.
3. To ensure vertical alignment, suspend a plumb bob from the ceiling over the exact center of your fireplace flue and mark a spot on the ceiling to indicate the center of the chimney.
4. Check that the area above the ceiling is clear for cutting. Re-confirm the clearance from the fireplace to combustibles to ensure that they are within the prescribed limits.
5. This fireplace must be connected to a UL 103 HT (ULC S629) listed chimney or a code approved masonry chimney with a flue liner listed to UL1777.

The fireplace is to be connected to a factory built chimney conforming to CAN/ULC-5629 standard for 650C factory built chimneys. The chimney requirement is 6" (152mm), refer to appropriate sections in this manual for specifics.

6. Install chimney according to chimney manufacturers instructions. The performance of your fireplace is governed to a very large part by the chimney system. Too short a chimney can cause difficult start-up, dirty glass, back smoking when door is open, and even reduced heat output.

Too tall a chimney may prompt excessive draft which can result in very short burn times and excessive heat output. The use of an inexpensive flue pipe damper may be helpful in reducing excessive draft.

**CAUTION:** The chimney should be the same size as the 6" flue outlet on the fireplace. The chimney must be listed as suitable for use with solid fuels. For other types of chimneys check with your local building code officials. Do not confuse a chimney with a type "B" Venting System used for gas appliances as suitable for a wood burning appliance. For Mobile Home installations refer to that section within this manual.

7. Mark the location of the base on the floor, then move the fireplace aside and mark the position of the floor protector.
8. The floor protector must be of non-combustible material and must extend 16" (406mm) in front and sides of the door opening and 8"

(203mm) to the sides and rear of the unit. Some areas may require a larger size floor protector. See your local inspector. For outside air installation refer to Mobile Home installation instructions within this manual.

**NOTE: In Canada, floor protection must extend 18" (450mm) to the front, and 18" (450mm) on either side, and 8" (203mm) to the back.**

9. When the floor protection is complete, position the fireplace with the flue collar centered under the installed chimney.
10. In areas with frequent seismic activity, Contura recommends that your unit is secured to the floor by using the bolt down holes inside the base (the same ones used in Mobile Home installations).
11. Do not connect this unit to a chimney serving another appliance.
12. A chimney connector cannot pass through an attic or roof space, closet or similar concealed space, or a floor, ceiling, wall or partition of combustible construction. In Canada, if passage through a wall, or partition of combustible construction is desired, the installation shall conform to CAN/CSA-B365, Installation Code for Solid-Fuel-Burning Appliances and Equipment.
13. Your Contura Fireplace is not to be connected to any air distribution duct.

**CAUTION:**  
Do not alter or modify a chimney system or install. Install as per Manual and Chimney manufacturer specifications.

## Room Air - Important

Fresh air is important - if heater is starved for air caused by exhaust fans or icing, the unit will not operate properly.

**When this room heater is not properly installed, a house fire may result. To reduce the risk of fire, follow the installation instructions. Contact local building or fire officials about restrictions and installation inspection requirements in your area.**



# Minimum clearance to combustible materials

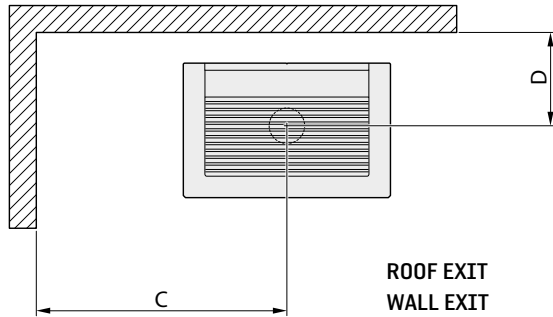
Please read the section below carefully as clearances are measured from rear heat deflector and side of unit above glass prior to installing facades.

Measurements "From Unit" are from the top plate of the fireplace to a side wall or to a corner, and from the rear heat shield to a back wall.

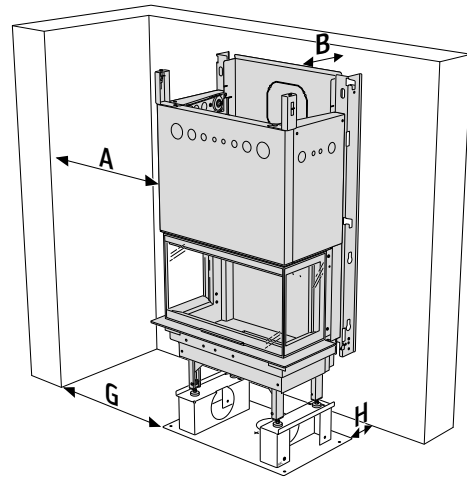
Clearances may only be reduced by means approved by the regulatory authority.

**Note:** Minimum ceiling height - 90" (2286 mm)

**Note:** Measurements to wall taken from rear heat deflector on unit and body face above glass door --before surround install.



ROOF EXIT  
WALL EXIT



- Note:** If backwall is Masonry: zero clearance.
- Note:** 45°corner install: Maintain all clearance to combustibles.
- Note:** Optional Rear Trim Kit --See instructions in this manual.
- Note:** See P. 11 for further combustible / wall finishing.

Residential Installation: Double Wall Connector Only									
Contura Ri50	All surrounds	A	B*	C	D	E	F	G	H
		21 - 1/2" 546mm	4 - 1/2" 114mm	35 - 1/8" 893mm	12 - 1/8" 308mm	100" 2540mm	36" 914mm	21 - 3/16" (approx.) 538mm	3" (approx.) 76mm

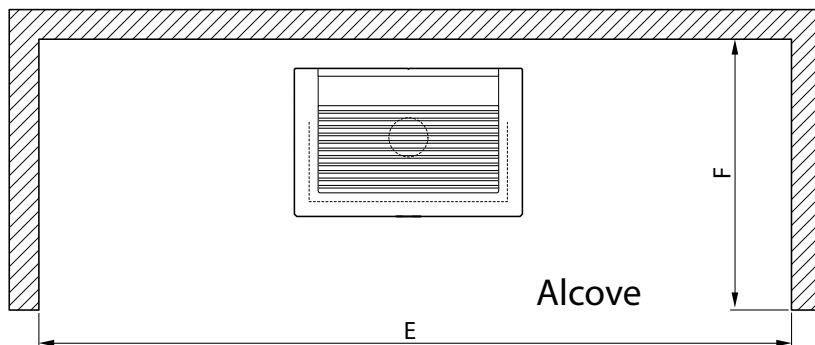
**Note:** Single wall pipe is not approved for this model.  
 \* NOTE: From Rear Shield  
 \*3" from edge of surround, once installed.

## Minimum Alcove Clearance to Combustible Materials

The Contura Freestanding models have been alcove approved and must be installed with a listed double wall connector to the ceiling level.

- Note:** Minimum alcove ceiling height - 90" (2286mm)
- E = Minimum width of alcove - 100" (2540mm)
- F = Maximum depth of alcove - 36" (914mm)

**NOTE:** All the clearances are required for air space between the appliance and wall/ceiling.



- NOTE:** Be aware that local Codes and Regulations may override some clearances listed in this manual. Check with your local inspector.
- NOTE:** Clearances to combustibles are for the safety of the property. To avoid overheating and damaging the appliance these clearances should be maintained for non-combustibles also.

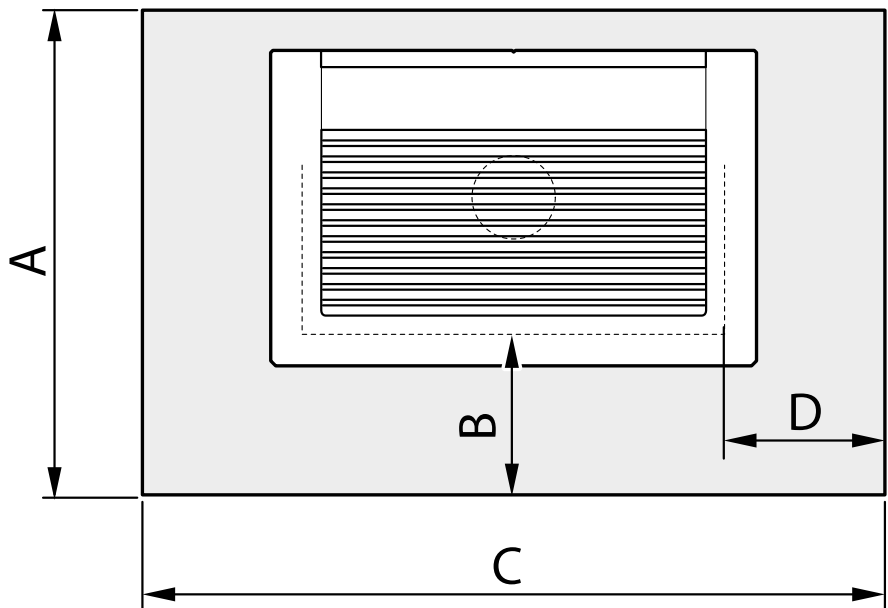
# installation

## Floor Protection (Ember Protection only required)

A combustible floor must be protected by a non-combustible material like tile, concrete board, or certified to UL-1618 Type 1 (or as defined by local codes).

**Canada:** Beneath the heater and extending to at least 18" on the fuel loading side and at least 18" on the sides and 8" from the back.

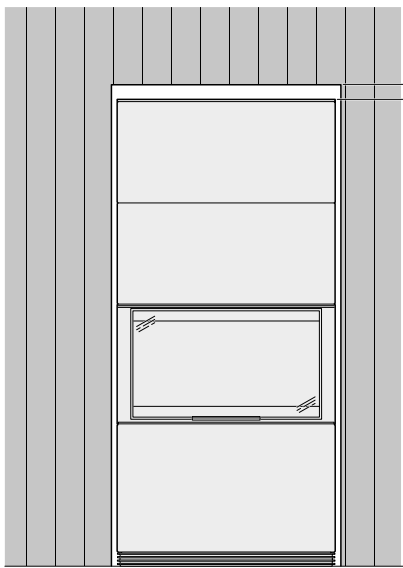
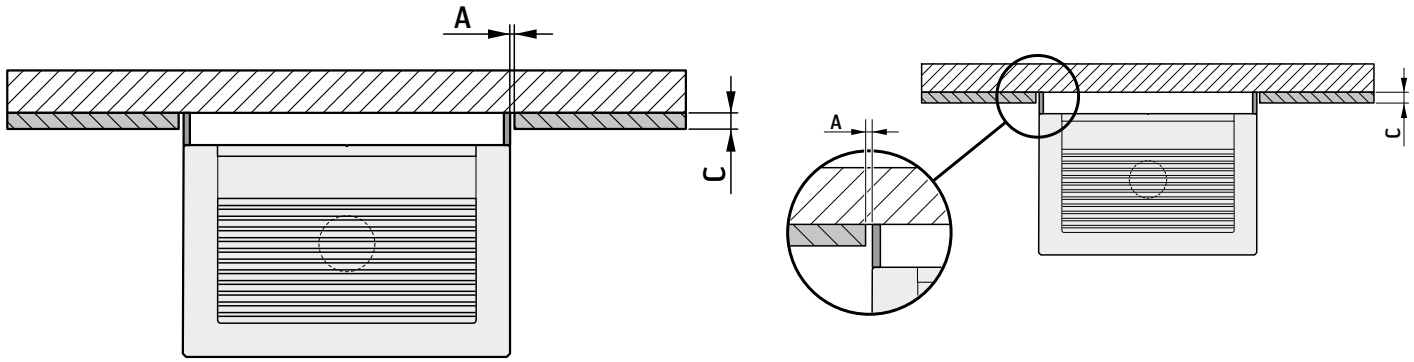
**USA:** Beneath the heater and extending to at least 16" beyond the fuel loading side and ash removal opening and at least 16" on the sides and 8" from the back and under the chimney connector extending 2" beyond each side for horizontal applications.



Minimum Overall Depth of Floor Protector					
Unit			Edge of Fuel door opening to edge of hearth		Edge of Fuel Door Opening
		A	B	C	D
Contura Ri50	Canada	45-1/2" 1156mm	18" 457mm	62-1/2" 1588mm	18" 457mm
	USA	43-1/2" 1105mm	16" 407mm	58-1/2" 1486mm	16" 407mm

# Combustible wall finishing material clearances

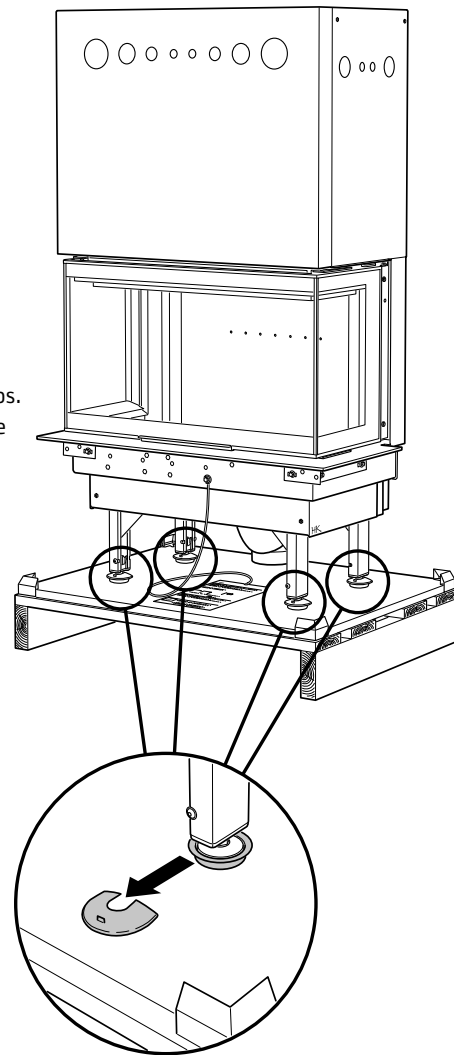
Please read the section below carefully as clearances are measured from rear heat deflector and side of optional trim or finishing panels.



Combustible wall finishing clearances				
Contura Ri50	from	A - Sides	B - Top*	C - Material Thickness
	Optional Trim	1/4" 6mm	N/A	1-1/2" max. 38mm
	Finishing Panels	1/4" 6mm	N/A	1-1/2" max. 38mm
	Top of Unit	N/A	2" 51mm	1-1/2" max. 38mm
* B - APPLIES TO HORIZONTAL VENTING INSTALLATIONS LOWER THAN THE TOP OF THE UNIT ONLY. (VENT EXIT REAR OF UNIT)				

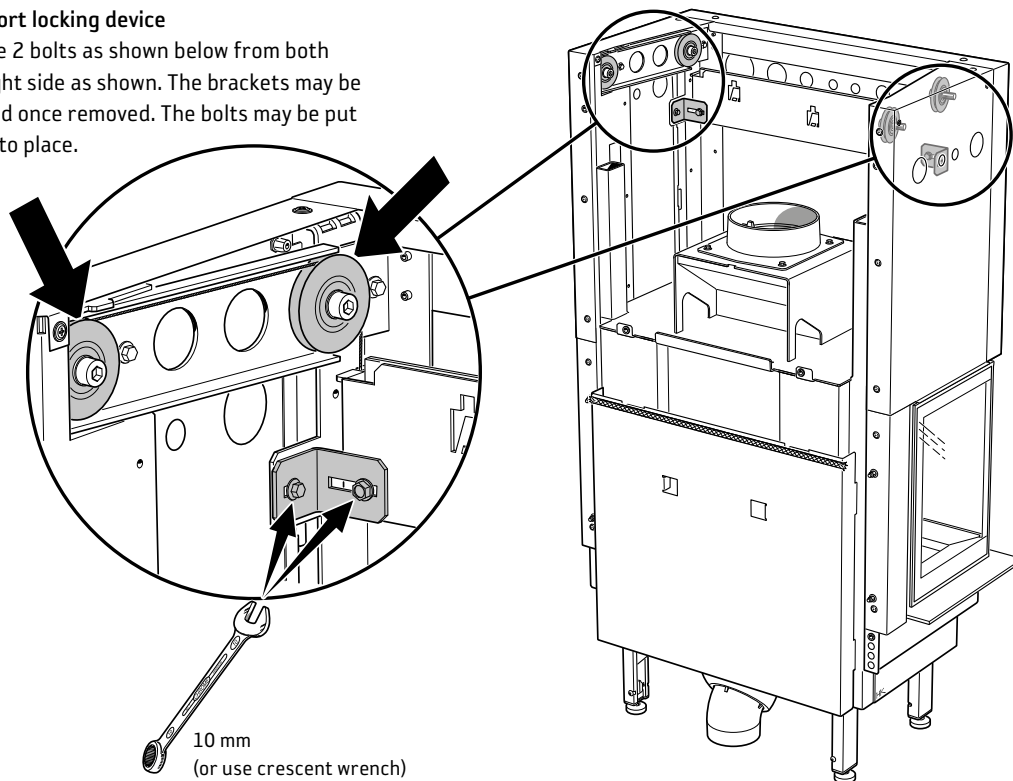
# Prior to installation

The fireplace is secured to the pallet by four anchoring cups, remove the screws and slide out the anchoring cups. Reinstall the screws on the legs before moving the fireplace from the pallet.



### Transport locking device

Remove 2 bolts as shown below from both left/right side as shown. The brackets may be recycled once removed. The bolts may be put back into place.



10 mm  
(or use crescent wrench)



Check wire routing and remove the transport locking devices!

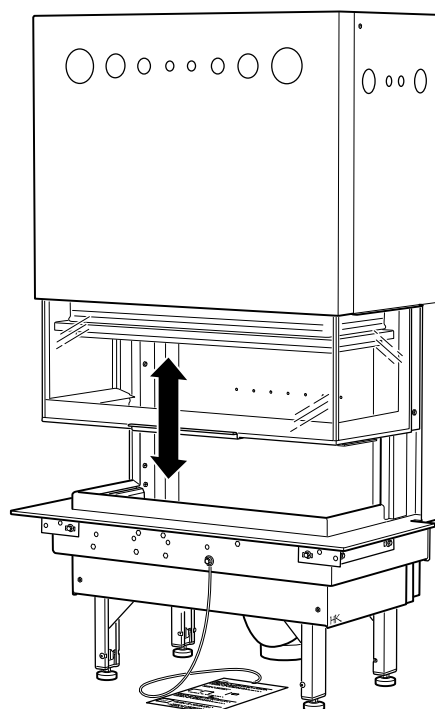
## Function check

**Perform a function check on the fireplace as follows:**

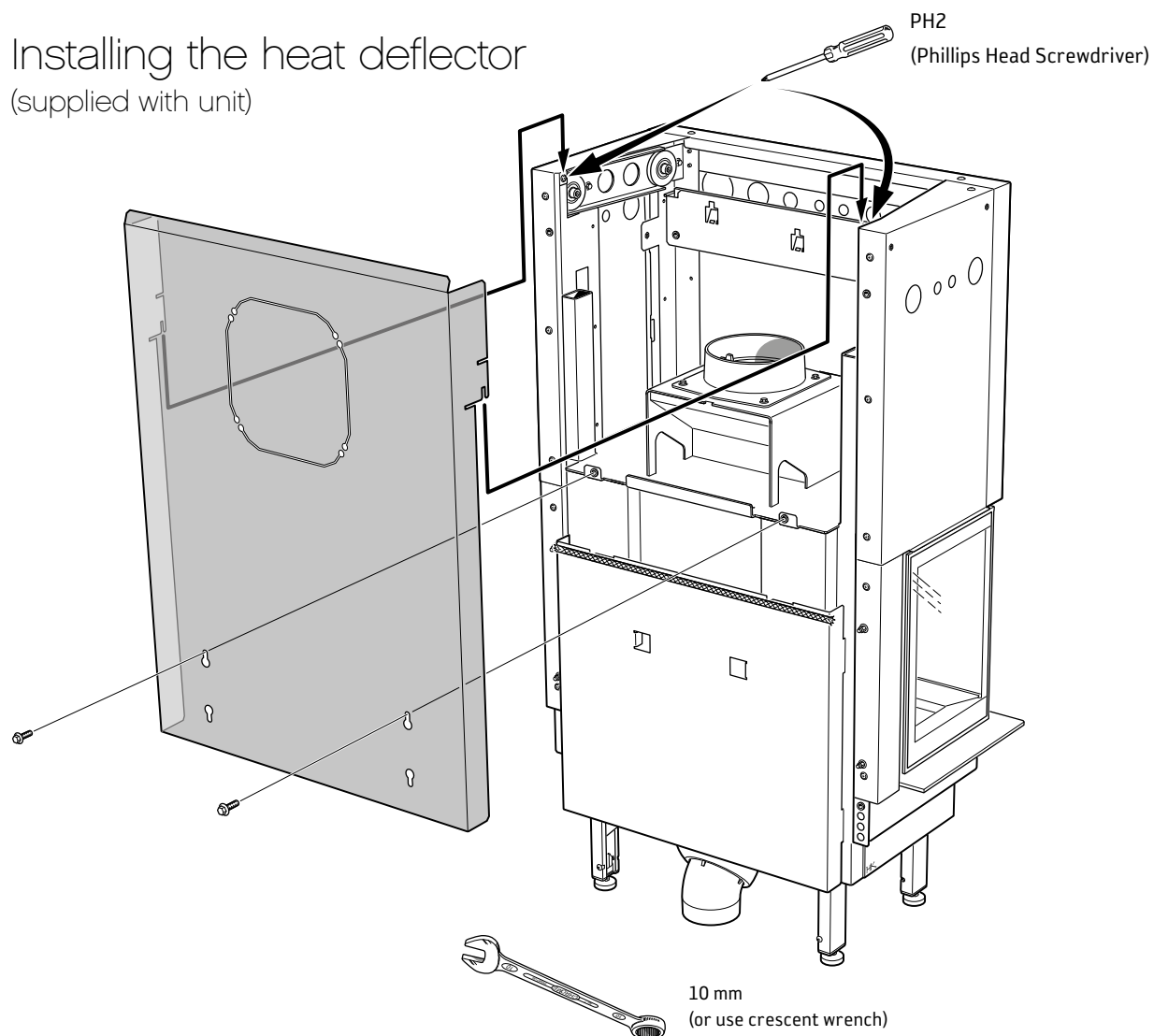
Use the adjustable feet to level the fireplace. Check that the door can be opened and closed.



The door runners are lubricated at the factory, with special grease that can withstand high temperatures. This type of grease is usually difficult to find on the market and we recommend contacting a Regency or Contura dealer to order this special grease when lubricating the runners.



## Installing the heat deflector (supplied with unit)

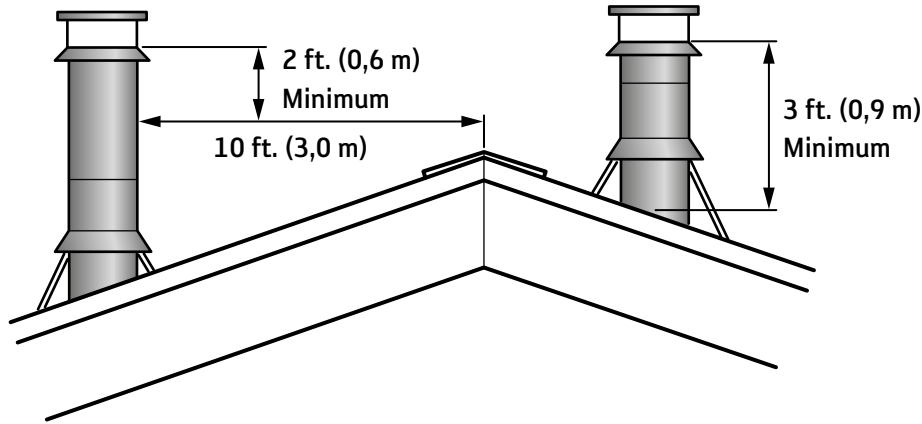


# Step-by-step chimney and connector installation

**Note:** These are a generic set of chimney installation instructions. Always follow the manufacturers own instructions explicitly. Verify the Minimum Recommended Heights for Fireplace Flue (Table 1 in the Installation section).

**Note:** Increasing the chimney height above this minimum level will sometimes help your unit to “breathe” better by allowing a greater draft to be created. This greater draft can decrease problems such as, difficult start-ups, back-smoking when door is open, and dirty glass. It might be sufficient to initially try with the minimum required height, and then if problems do arise add additional height at a later date.

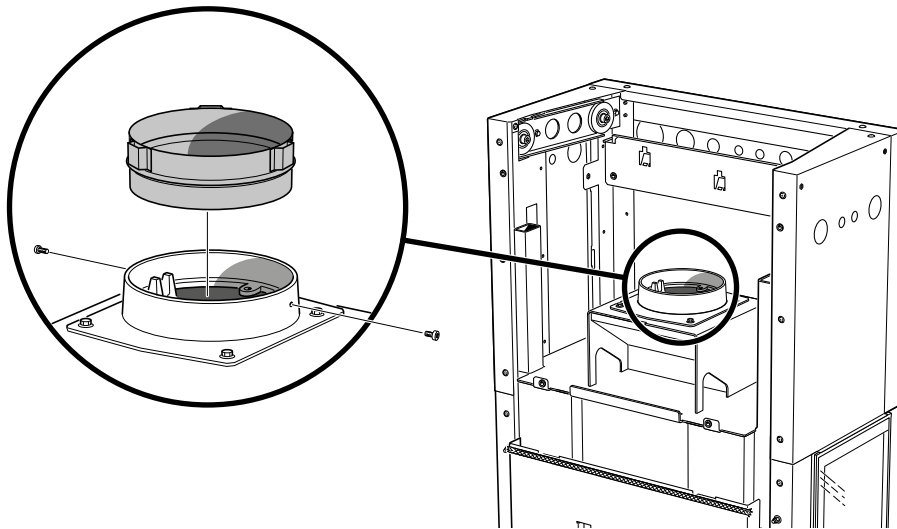
1. With your location already established, cut and frame the roof hole. It is recommended that no ceiling support member be cut for chimney and support box installation. If it is necessary to cut them, the members must be made structurally sound.
2. Install radiant shield and support from above.
3. Stack the insulated pipe onto your finish support to a minimum height of 3 feet above the roof penetration, or 2 feet above any point within 10 feet measured horizontally. There must be at least 3 feet of chimney above the roof level.
4. Slide the roof flashing over your chimney and seal the flashing to the roof with roofing compound. Secure the flashing to your roof with nails or screws.
5. Place the storm collar over the flashing, sealing the joints with a silicone caulking.
6. Fasten the raincap with spark screens (if required) to the top of your chimney.
7. For optimum efficiency when installing into a masonry chimney, size accordingly, i.e. the 6" (152mm) flue dia. is 28.28 sq.in.



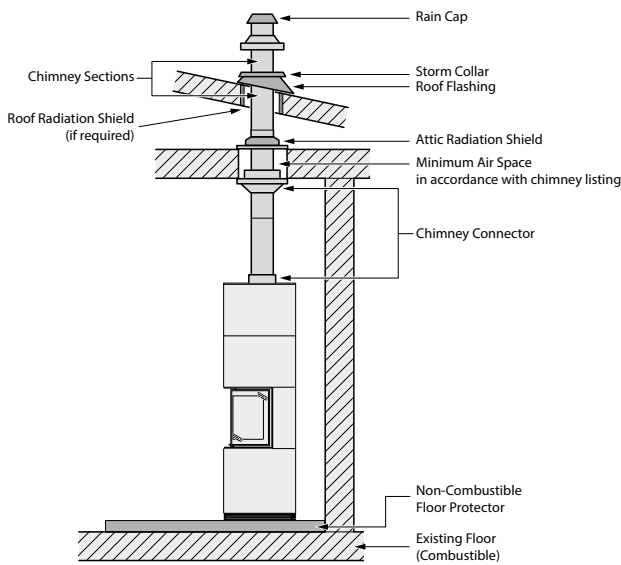
8. To complete your chimney installation, install the double wall connector pipe from the fireplace's flue collar to the chimney support device.
9. If you are using a horizontal connector, the chimney connector should be as high as possible while still maintaining the 6" (152mm) minimum distance from the horizontal connector to the ceiling.

**10. NOTE: Residential Close Clearance and Alcove installations require a listed double wall connector from the fireplace collar to the ceiling level.**

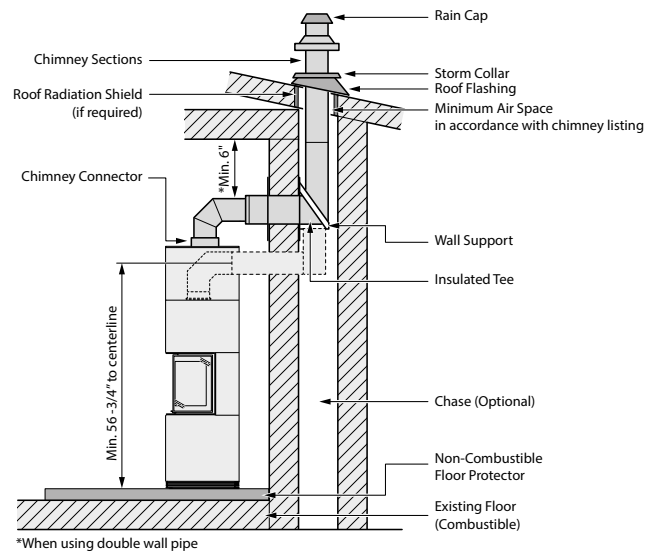
The diagrams below illustrate one way to install your unit into a standard ceiling or with a horizontal connector. Check with your dealer or installer for information on other options available to you.



*Standard Ceiling Installation*



*Horizontal Installation (Rear or Top Exit)*



\*When using double wall pipe

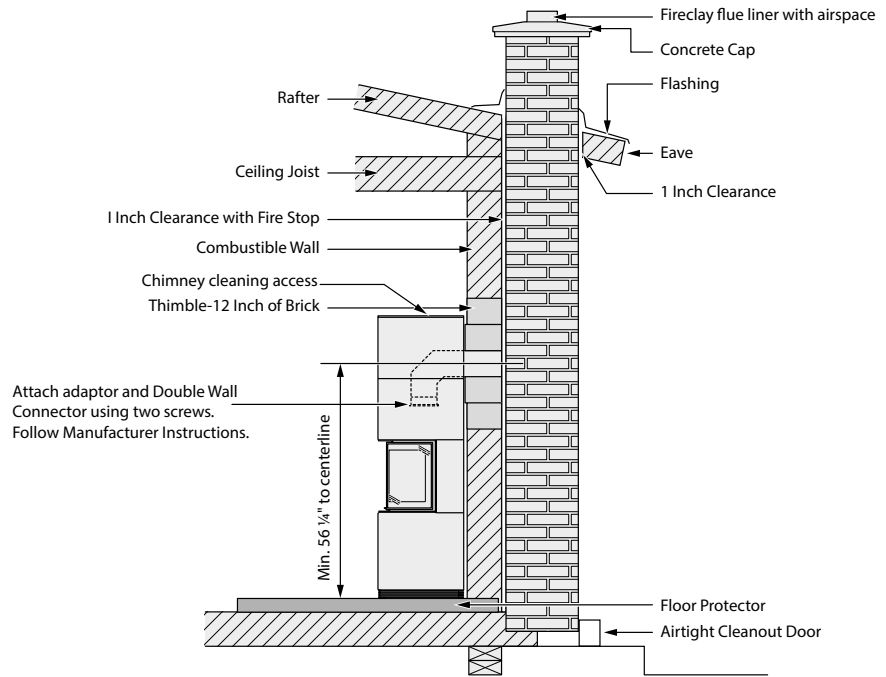
## installation

### Masonry Chimney

Ensure that a masonry chimney meets the minimum standards of the National Fire Protection Association (NFPA) by having it inspected by a professional. Make sure there are no cracks, loose mortar or other signs of deterioration and blockage. Have the chimney cleaned before the fireplace is installed and operated. When connecting the fireplace through a combustible wall to a masonry chimney, special methods are needed.

When referencing installation or connection to masonry fireplaces or chimneys, the masonry construction must or shall be code complying.

Only listed double wall connector to be used.



**Be aware that local Codes and Regulations may override some clearances/ installations listed in this manual. Check with your local inspector.**

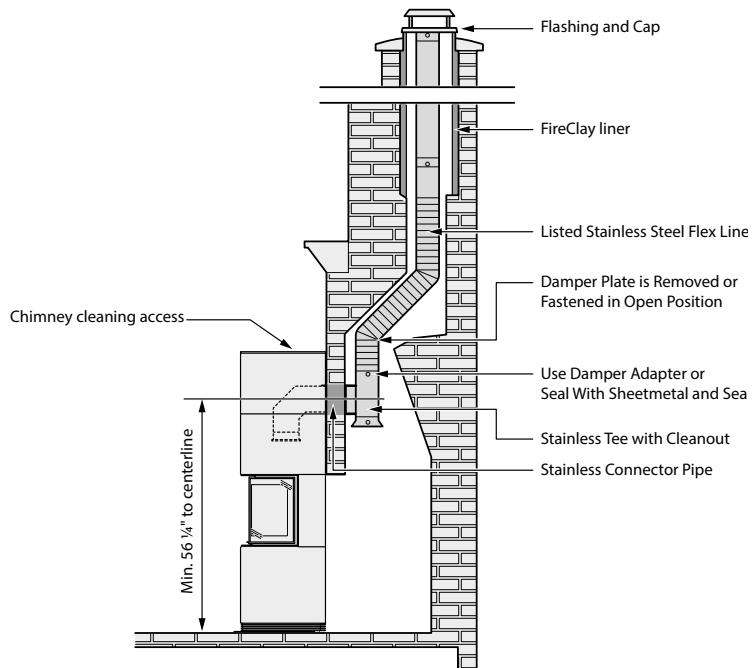
### Masonry Fireplace

There are listed kits available to connect a fireplace to a masonry fireplace. The kit is an adapter that is installed at the location of the fireplace damper. The existing damper may have to be removed to allow installation.

This unit is designed to use either a 5.5" (140mm) or 6" (152mm) flue liner only within the confines of the masonry chimney as shown.

When referencing installation or connection to masonry fireplaces or chimneys, the masonry construction must or shall be code complying.

Only listed double wall connector to be used.



**Be aware that local Codes and Regulations may override some clearances/ installations listed in this manual. Check with your local inspector.**

### Factory Built Chimney

When a metal prefabricated chimney is used, the manufacturer's installation instructions must be followed. You must also purchase and install the ceiling support package or wall pass-through and "T" section package, firestops (where needed), insulation shield,

roof flashing, chimney cap, etc. Maintain proper clearance to the structure as recommended by the manufacturer. The chimney must be the required height above the roof or other obstructions for safety and proper draft operation.



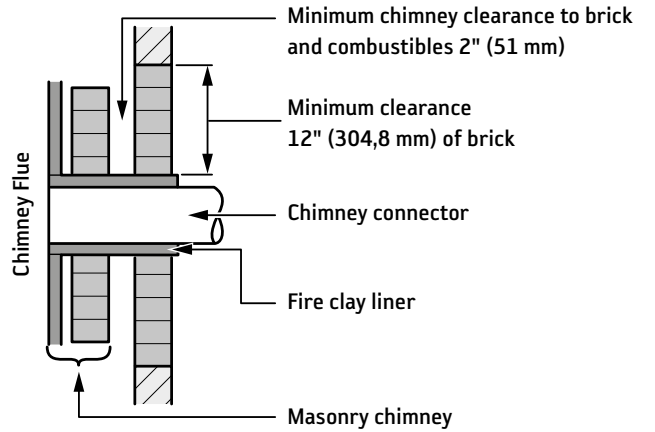
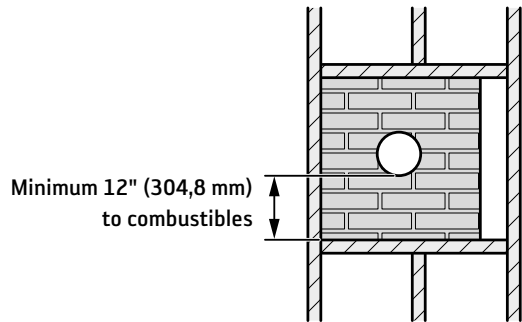
# Combustible wall chimney connector pass-throughs

**Method A:**

**12" (304.8 mm) Clearance to Combustible Wall Member:**

Using a minimum thickness 3.5" (89 mm) brick and a 5/8" (15.9 mm) minimum wall thickness clay liner, construct a wall pass-through. The clay liner must conform to ASTM C315 (Standard Specification for Clay Fire Linings) or its equivalent. Keep a minimum of 12" (304.8 mm) of brick masonry between the clay

liner and wall combustibles. The clay liner shall run from the brick masonry outer surface to the inner surface of the chimney flue liner but not past the inner surface. Firmly grout or cement the clay liner in place to the chimney flue liner.

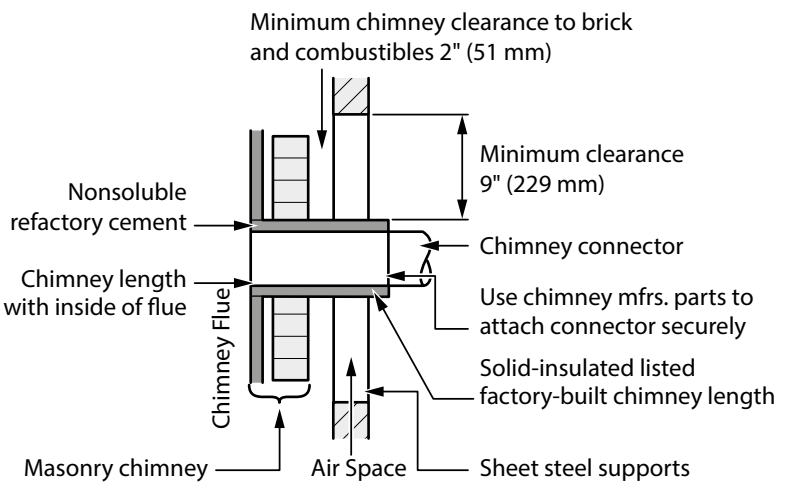
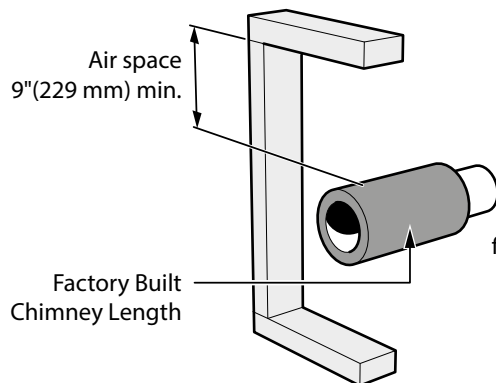


**Method B:**

**9" (228.6 mm) Clearance to Combustible Wall Member:**

Using a 6" (152.4 mm) inside diameter, listed, factory-built Solid-Pak chimney section with insulation of 1" (25.4 mm) or more, build a wall pass-through with a minimum 9" (228.6 mm) air space between the outer wall of the chimney length and wall combustibles. Use sheet metal supports fastened securely to wall surfaces on all sides, to maintain the 9" (228.6 mm) air space.

When fastening supports to chimney length, do not penetrate the chimney liner (the inside wall of the Solid-Pak chimney). The inner end of the Solid-Pak chimney section shall be flush with the inside of the masonry chimney flue, and sealed with a non-water soluble refractory cement. Use this cement to also seal to the brick masonry penetration.



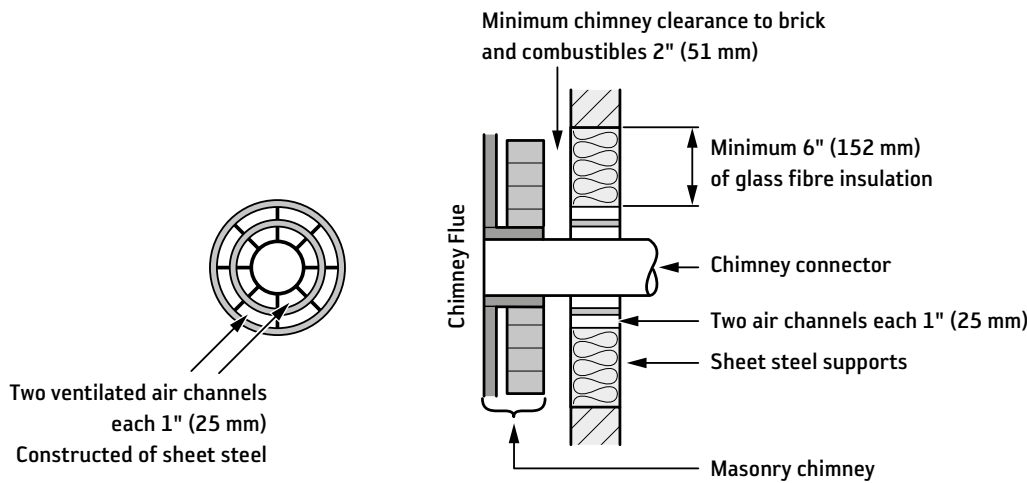
# installation

## Method C:

### 6" (152.4 mm) Clearance to Combustible Wall Member:

Starting with a minimum 24 gage (.024" [.61 mm]) 6" (152.4 mm) metal chimney connector, and a minimum 24 gage ventilated wall thimble which has two air channels of 1" (25.4 mm) each, construct a wall pass-through. There shall be a minimum 6" (152.4) mm separation area containing fiberglass insulation, from the outer surface of the wall thimble to wall combustibles.

Support the wall thimble, and cover its opening with a 24-gage minimum sheet metal support. Maintain the 6" (152.4 mm) space. There should also be a support sized to fit and hold the metal chimney connector. See that the supports are fastened securely to wall surfaces on all sides. Make sure fasteners used to secure the metal chimney connector do not penetrate chimney flue liner.

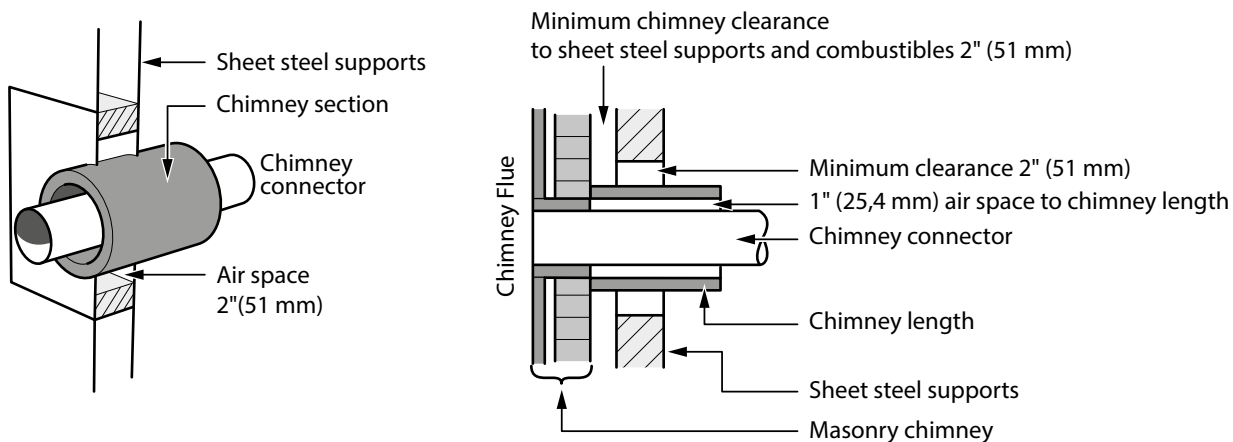


## Method D:

### 2" (50.8 mm) Clearance to Combustible Wall Member:

Start with a solid-pak listed factory built chimney section at least 12" (304 mm) long, with insulation of 1" (25.4 mm) or more, and an inside diameter of 8" (2 inches [51 mm] larger than the 6" [152.4 mm] chimney connector). Use this as a pass-through for a minimum 24-gage single wall steel chimney connector. Keep solid-pak section concentric with and spaced 1" (25.4 mm) off the

chimney connector by way of sheet metal support plates at both ends of chimney section. Cover opening with and support chimney section on both sides with 24 gage minimum sheet metal supports. See that the supports are fastened securely to wall surfaces on all sides. Make sure fasteners are used to secure chimney flue liner.



# Recommended heights for fireplace flue

Simple rules on draft (refer to Table 1).

- 1) At sea level minimum height is 12' straight.
- 2) Add the following vertical height to compensate for:
  - 45 deg. elbow = 1 ft.
  - 90 deg. elbow = 2 ft.
  - "T" = 3 ft.
 Each foot of horizontal run = 2 ft.
- 3) Add 4% overall for each 1000' above sea level.

**Example: a)**

1-1/2 ft. of horizontal run = 3 ft.  
 one "T" = 3 ft.  
 Total Addition (at sea level) = 6 ft.

**Example: b)**

One 90 deg. elbow = 2 ft.  
 2 ft. of horizontal run = 4 ft.  
 one "T" = 3 ft.  
 Total Addition (at sea level) = 9 ft.

**Recommended Flue Height**

Elevation	Example a)	Example b)
0'	18'	21'
1000'	18.72'	21.84'
2000'	19.44'	22.68'
5000'	21.60'	25.20'
8000'	23.76'	27.72'

Minimum recommended flue heights in feet (Measured from the top of the unit)				
ELEVATION (FT) ABOVE SEA LEVEL	NUMBER OF ELBOWS For listed double wall pipe.			
	0	2 x 15°	2 x 30°	2 x 45°
0-1000	12.0	13.0	15.0	16.0
1000-2000	12.5	13.5	15.5	16.5
2000-3000	13.0	14.0	16.0	17.0
3000-4000	13.5	14.5	17.0	18.0
4000-5000	14.0	15.0	17.5	18.5
5000-6000	14.5	15.5	18.0	19.0
6000-7000	15.0	16.0	18.5	20.0
7000-8000	15.5	16.5	19.0	20.5
8000-9000	16.0	17.0	20.0	21.0
9000-10000	16.5	17.5	20.5	22.0

**NOTE:** No more than one offsets (two elbows) allowed. Two 45° elbows equal one 90° elbow.

Table 1

# installation

## Mobile home installation

(USA ONLY, not approved in Canada)

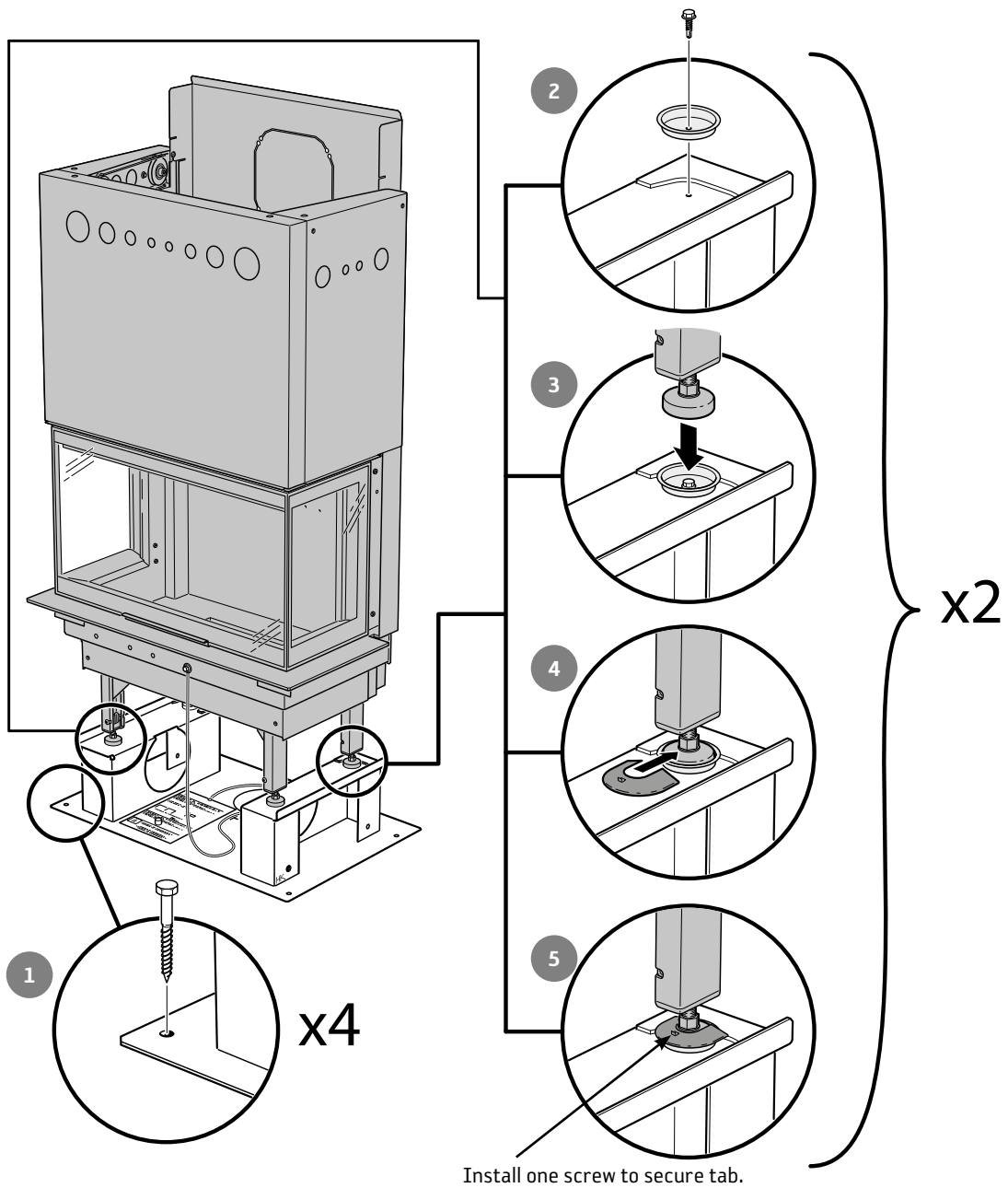
Once you have properly marked the position of your unit and the floor protection as outlined in the Residential Installation items #1 through #8, a supply of fresh air has to be supplied to your unit.

Place base and unit in position and secure it to the floor. It is important to maintain the structural integrity of the Mobile Home floor, walls and roof when installing your unit.

For Mobile Home units installed in the U.S. the unit must be grounded using a #8 ground wire with approved termination and star washer.

### Securing unit to floor base

Install on opposite legs (diagonally).  
One front + one rear.

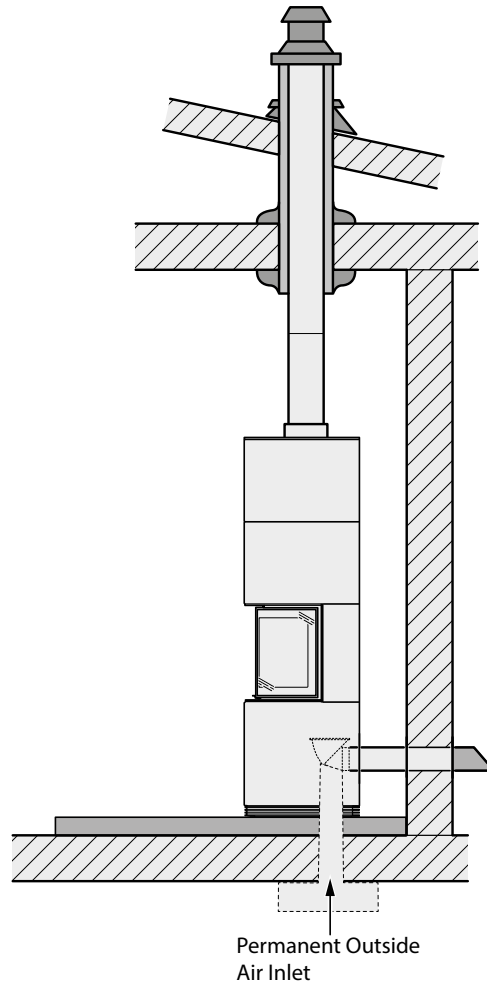


**CAUTION:** At no time use unlabelled parts, or substitute parts made for another chimney system.

Install as per chimney manufacturer's installation instructions.

1. Identify the position of the outside air damper by the orientation of the metal handle that rests outside the galvanized pipe. The metal handle and the damper disc are in line with each other. This means that if the metal handle is in a horizontal position, the damper is flat and fully open.

In addition to standard installation instructions the following requirements are mandatory for installation in a mobile home.



**WARNING:** Operate only with door fully closed - open feed door to feed fire only.

1. The fireplace must be permanently bolted to the floor of the Mobile Home using the floor screws provided.
2. The fireplace must have a permanent outside air source for combustion.
3. The fireplace must be electrically grounded to the steel chassis of the Mobile Home.
4. A listed double-wall connector chimney system, roof thimble, spark arrestor and roof flashing kit suitable for use in Mobile Homes must be used.
5. The chimney shall be attached directly to the room heater and shall extend at least 3 ft. (914mm) above the part of the roof through which it passes. The top of the chimney should project at least 2ft. (610mm) above the highest elevation of any part of the Mobile Home within 10 ft. (3048mm) of the chimney.
6. The chimney system shall comply with Local Requirements.
7. Any openings in a chimney guard where required must not permit the entrance of 3/4" (19mm) diameter rod.
8. CAUTION: THE STRUCTURAL INTEGRITY OF THE MOBILE HOME ROOF, FLOOR, WALLS AND CEILING MUST BE MAINTAINED.
9. Check any other local building code as other local codes may apply.
10. WARNING: DO NOT INSTALL IN A SLEEPING ROOM OF A MOBILE HOME.
11. Use silicone to create an effective vapour barrier at the location where the chimney or other component penetrates to the exterior of the structure.

# installation

## Supply of combustion air

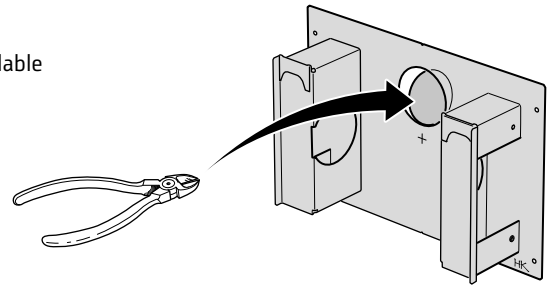
Supply of combustion air is recommended. Combustion air can be provided directly via a duct from outside, or indirectly via vent in the outer wall of the room where the fireplace is placed.

Outside Air Kit: Part # 299009

Some installation alternatives are shown below. The air duct connection on the fireplace has an external diameter of 4" (100mm).

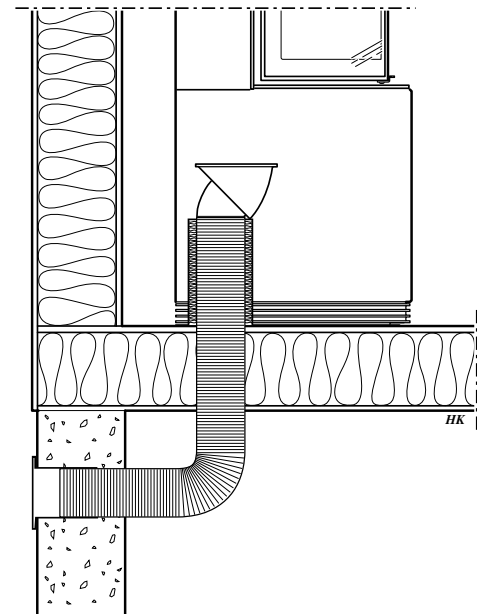
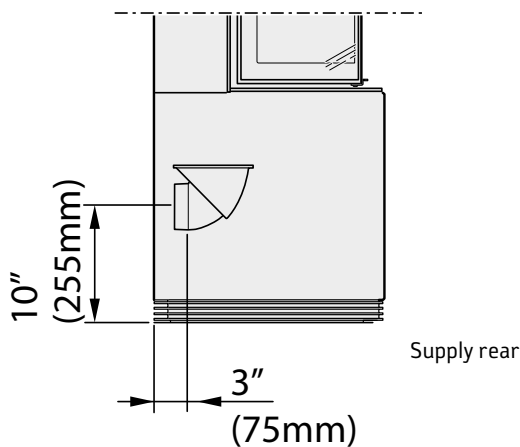
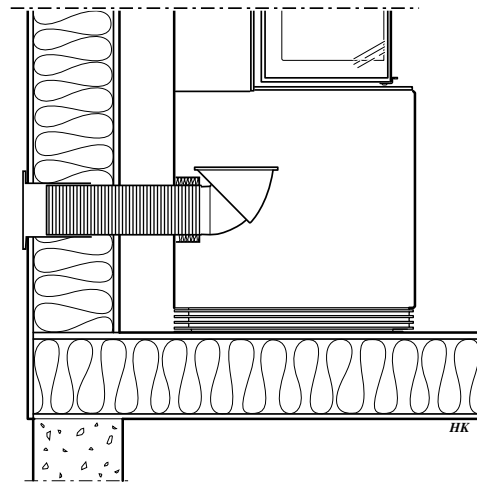
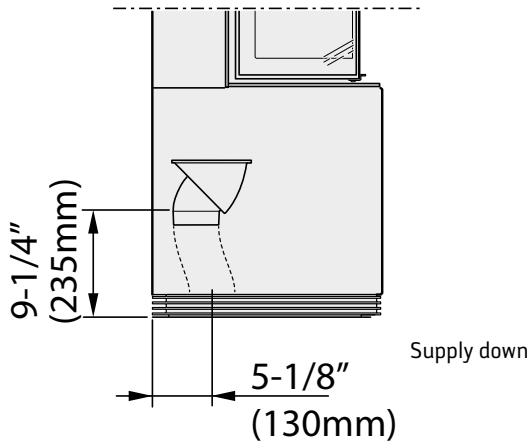
Turn the connector to ensure an air supply.

A 3.2ft (1m) length of condensation-insulated ducting for combustion air is available as an accessory.

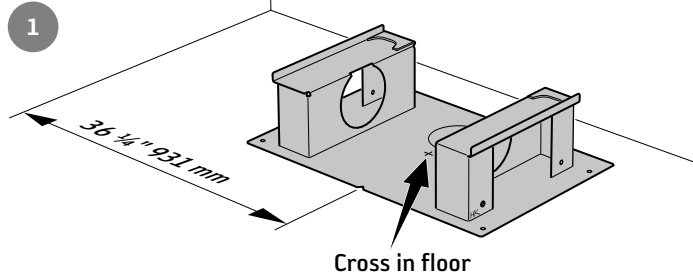


### Knockout

To insert the combustion air hose through the floor panel, remove the knockout. This must be removed prior to installing the floor panel onto the floor.



# Steel surround installation



Use the cross in the floor panel as an indication to the location of the flue outlet.

Position the floor section and check that the minimum permitted distance to combustible material is kept. Measure to the centre of the floor section.

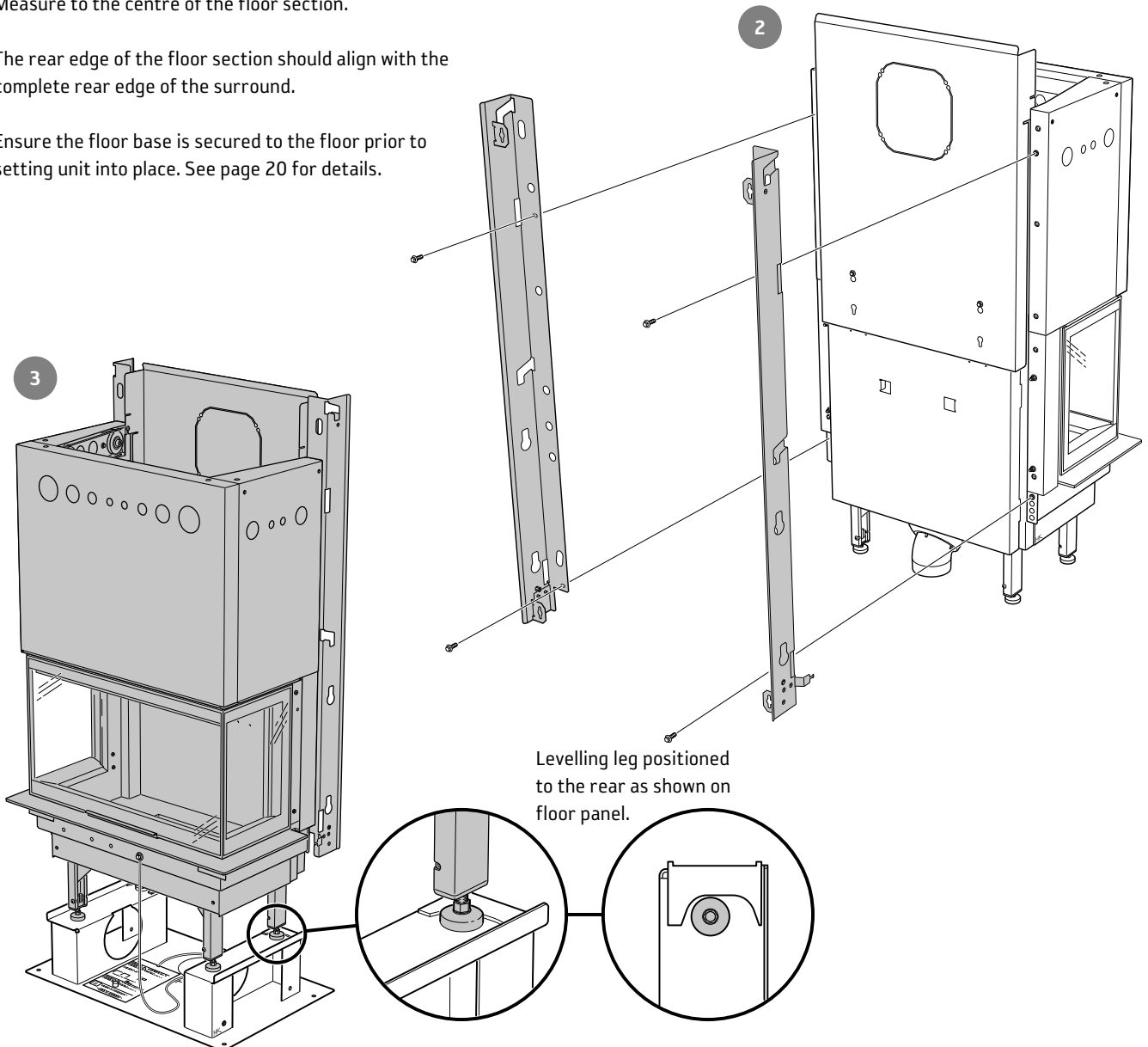
The rear edge of the floor section should align with the complete rear edge of the surround.

Ensure the floor base is secured to the floor prior to setting unit into place. See page 20 for details.



The fireplace can be positioned tight to the wall behind, if using a masonry chimney.

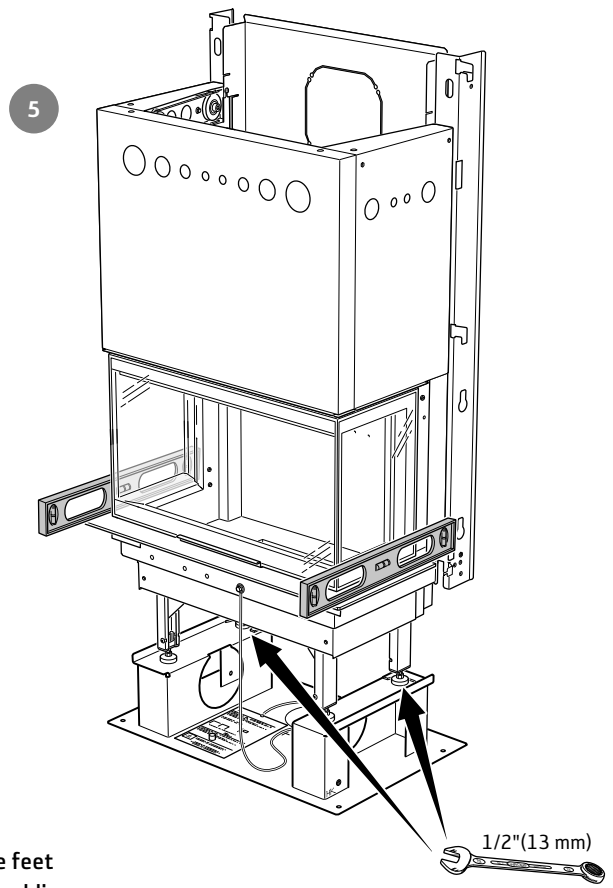
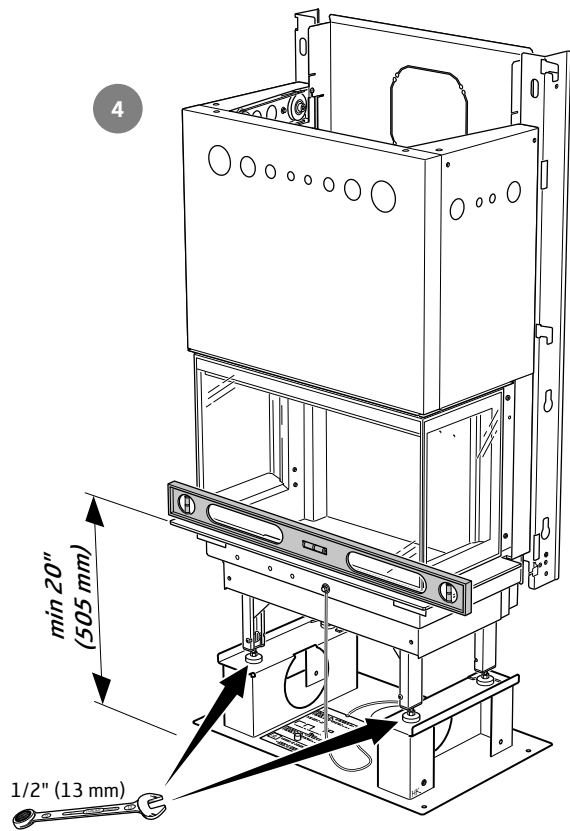
When installing against non-vertical walls to facilitate installation it is recommended that a small gap is left between the wall and fireplace. Lay the floor section a slight distance from the wall behind, and align the position of the holes in the ceiling for the chimney lead-in with the same dimensions.



Levelling leg positioned to the rear as shown on floor panel.

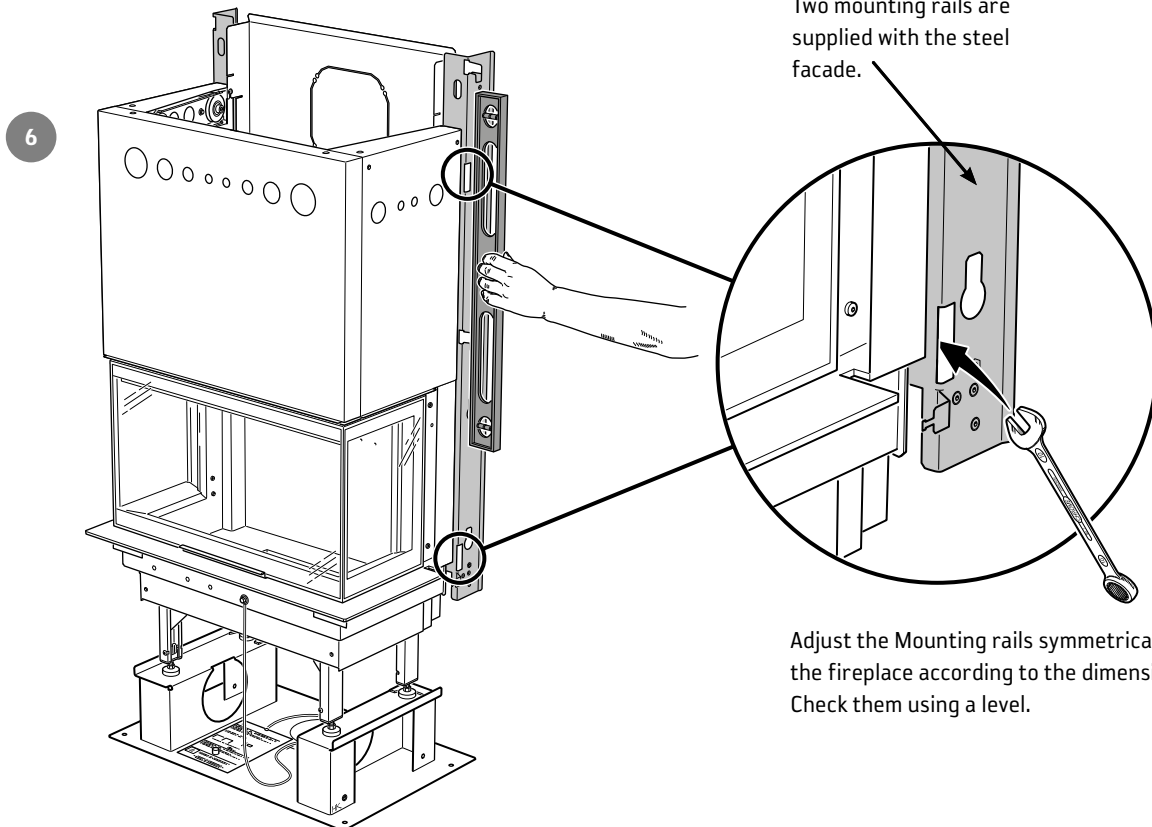
# installation

Note : Ensure the floor base is secured prior to adjusting unit. See page 20 for details.



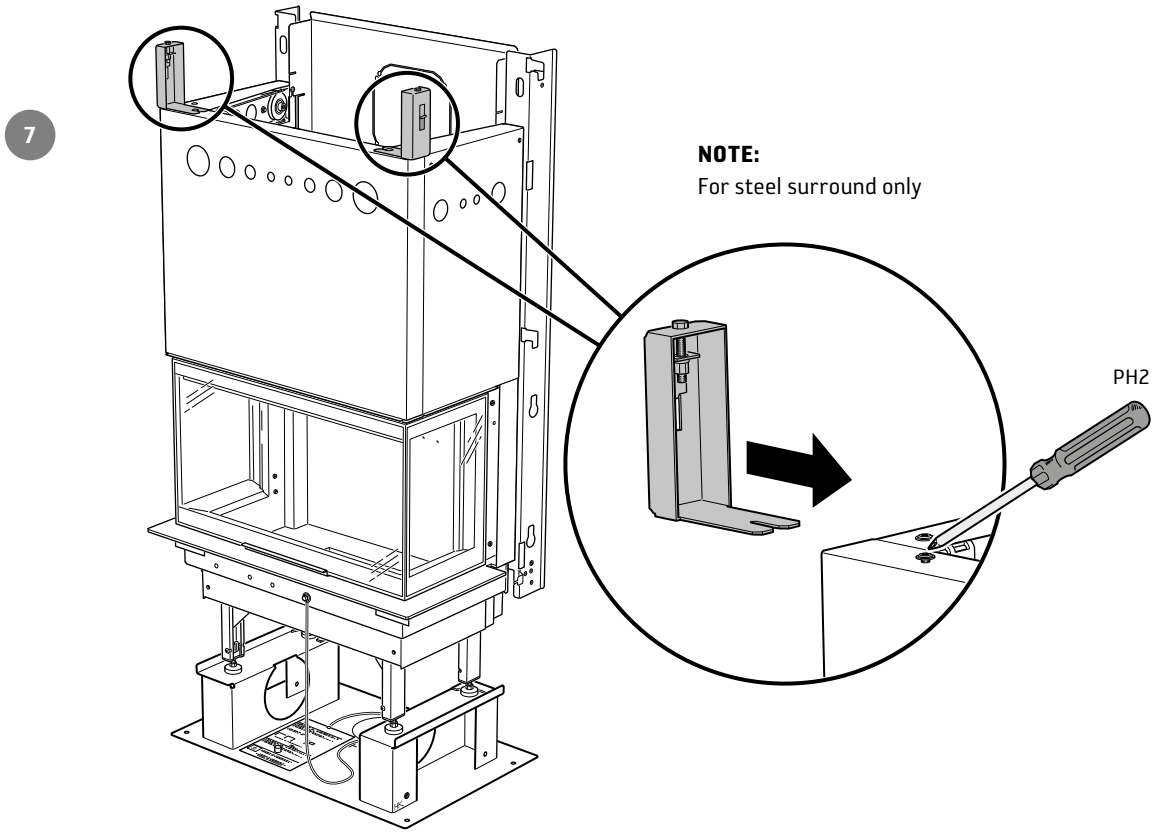
**\*\* IMPORTANT-** Place a level on the moulding below the door, adjust the feet until the smallest dimension from the floor to the underneath of the moulding is 20" (505mm) all the way around. Move the level to the sides and check that it is straight.

**Note:**  
Two mounting rails are supplied with the steel facade.



Adjust the Mounting rails symmetrically around the fireplace according to the dimensions given. Check them using a level.



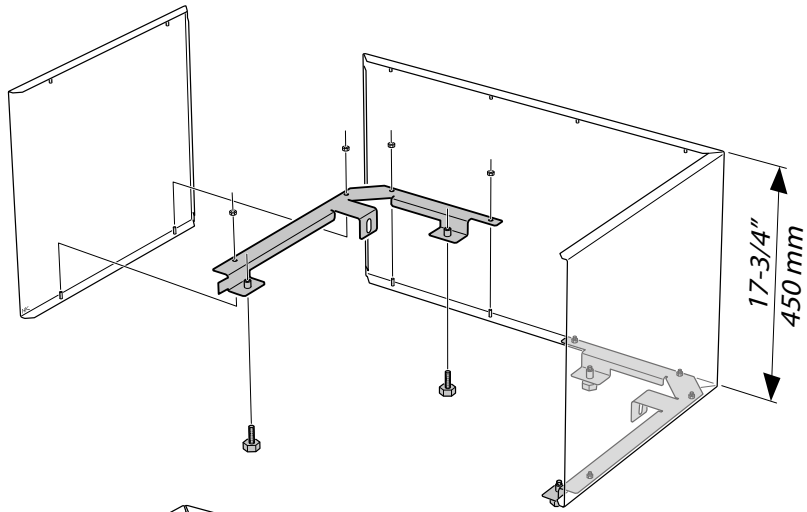


Check that the transport locking device of the counterweight is removed according to the fireplace instructions before assembling the surround.

# installation

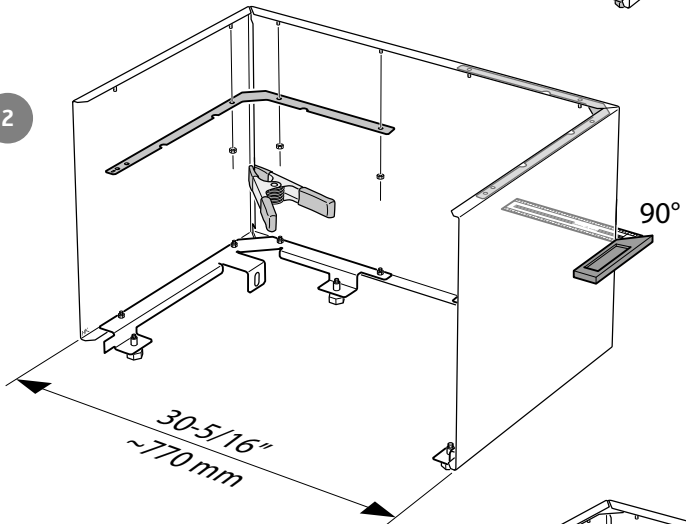
Pre-installation of lower cover - section 1.

1



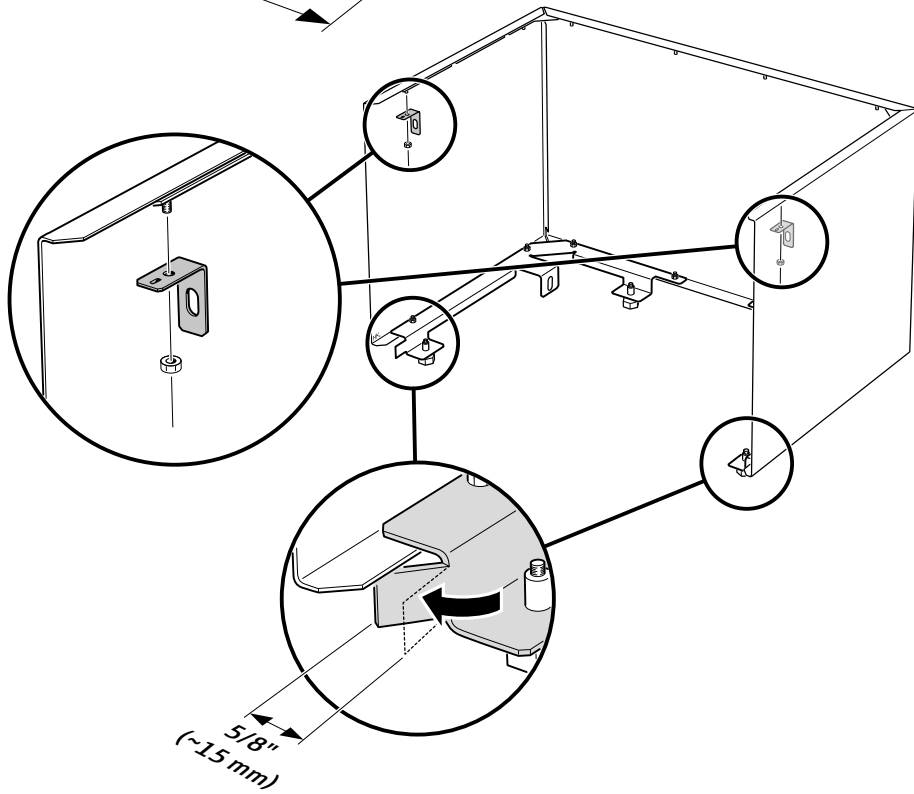
x 8  
Nut M5  
Tool 8 mm  
or 5/16\"/>

2



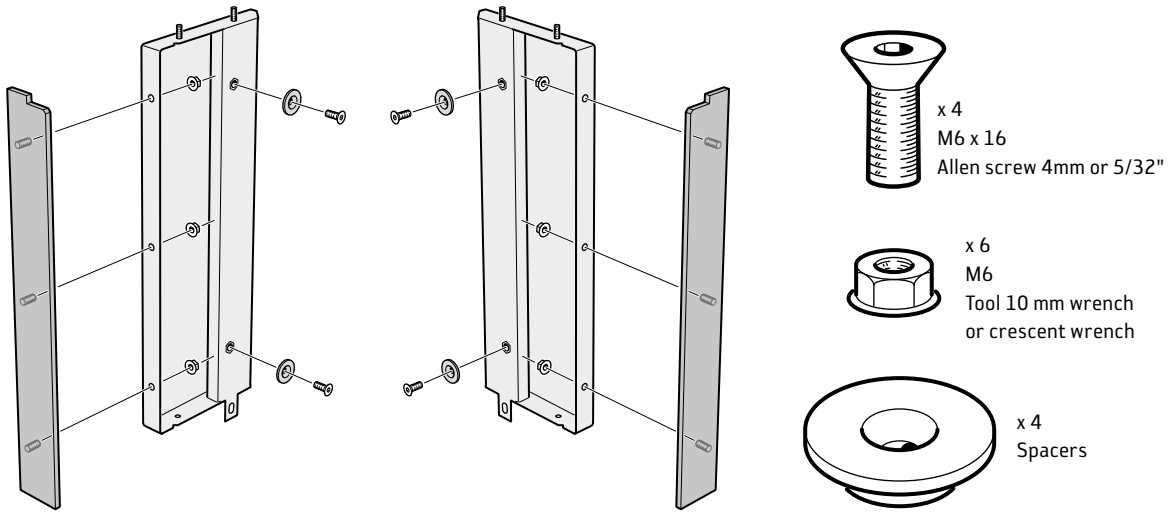
x 6  
Nut M5  
Tool 8 mm  
or 5/16\"/>

3

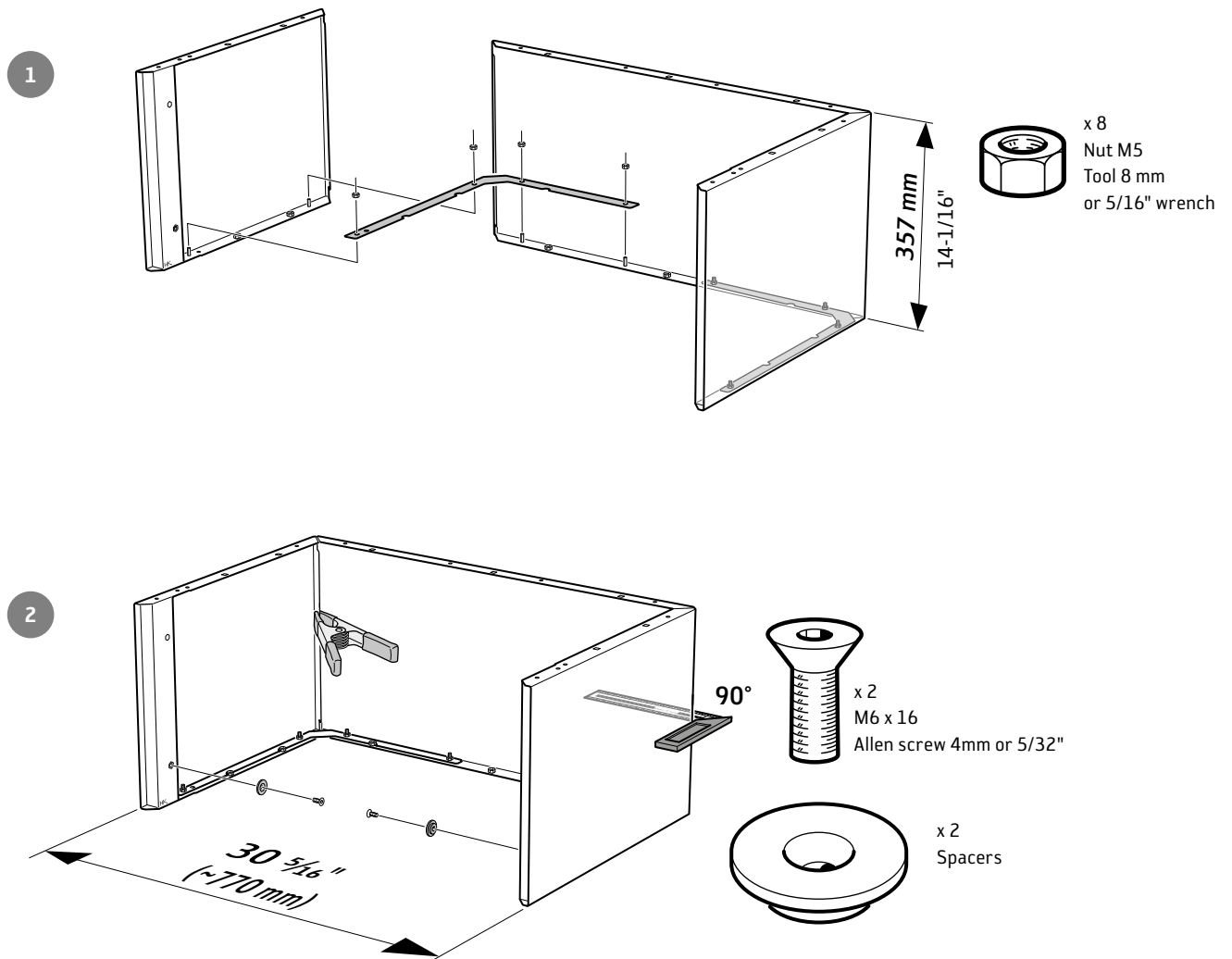


x 2  
Nut M5  
Tool 8 mm  
or 5/16\"/>

Pre-installation of side panels - section 2

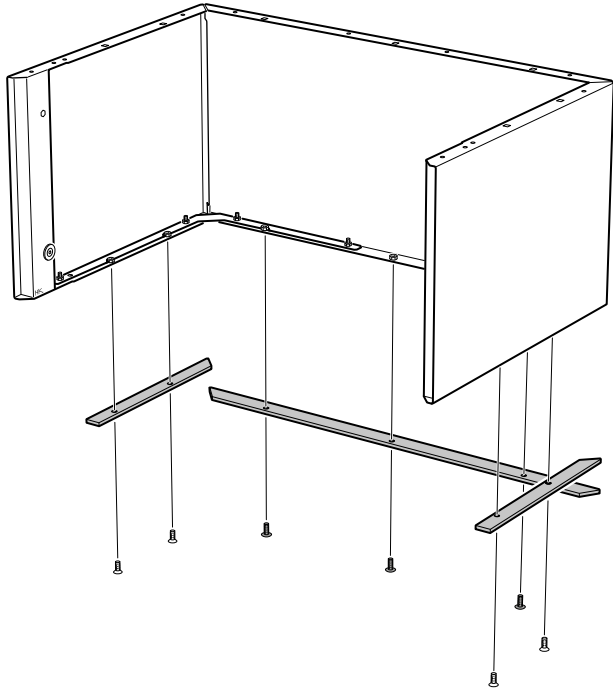


Pre-installation of upper cover - section 3

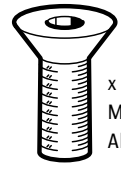


# installation

3



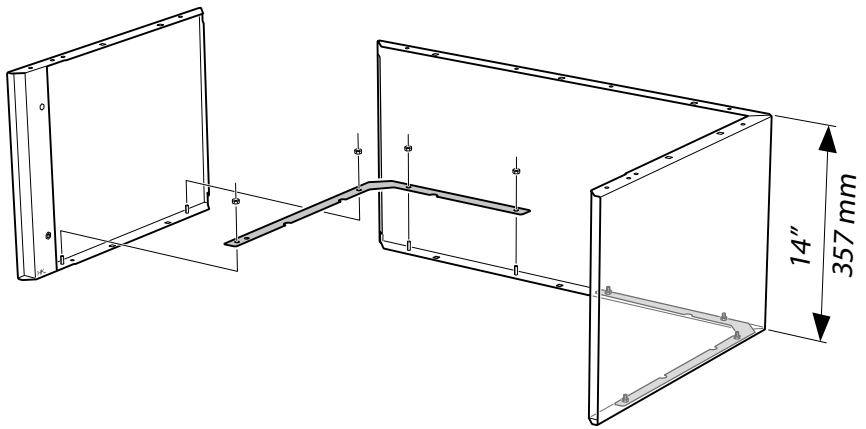
x 7  
M6  
Tool 10 mm wrench  
or crescent wrench



x 7  
M6 x 16  
Allen screw 4mm or 5/32"

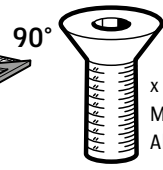
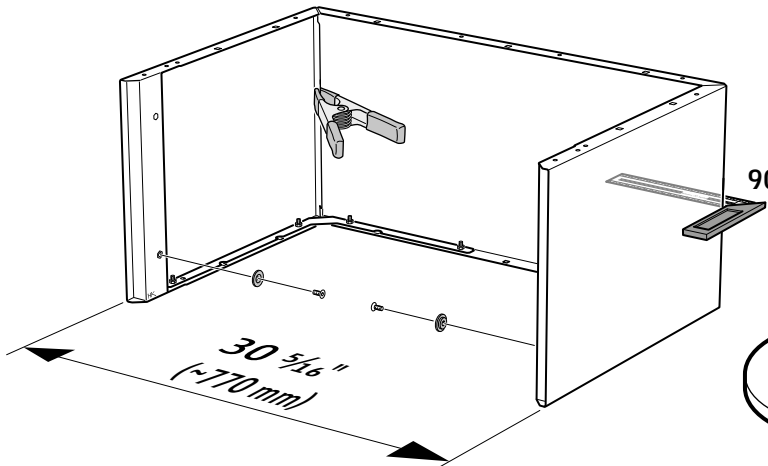
Pre-installation of upper cover - section 4

1

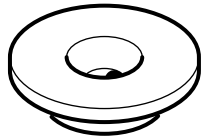


x 8  
Nut M5  
Tool 8 mm  
or 5/16" wrench


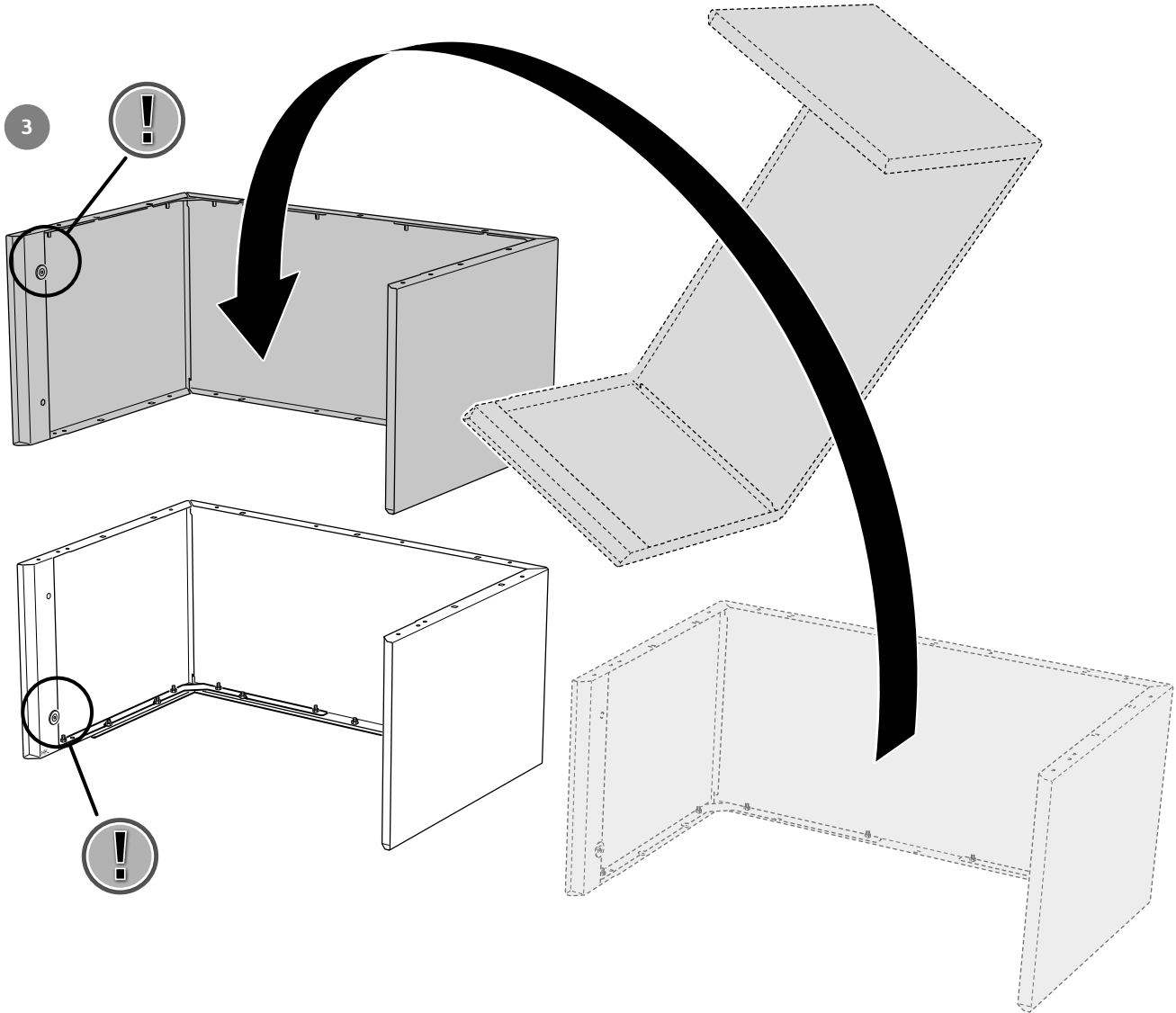
2




x 2  
M6 x 16  
Allen screw 4mm or 5/32"



x 2  
Spacers



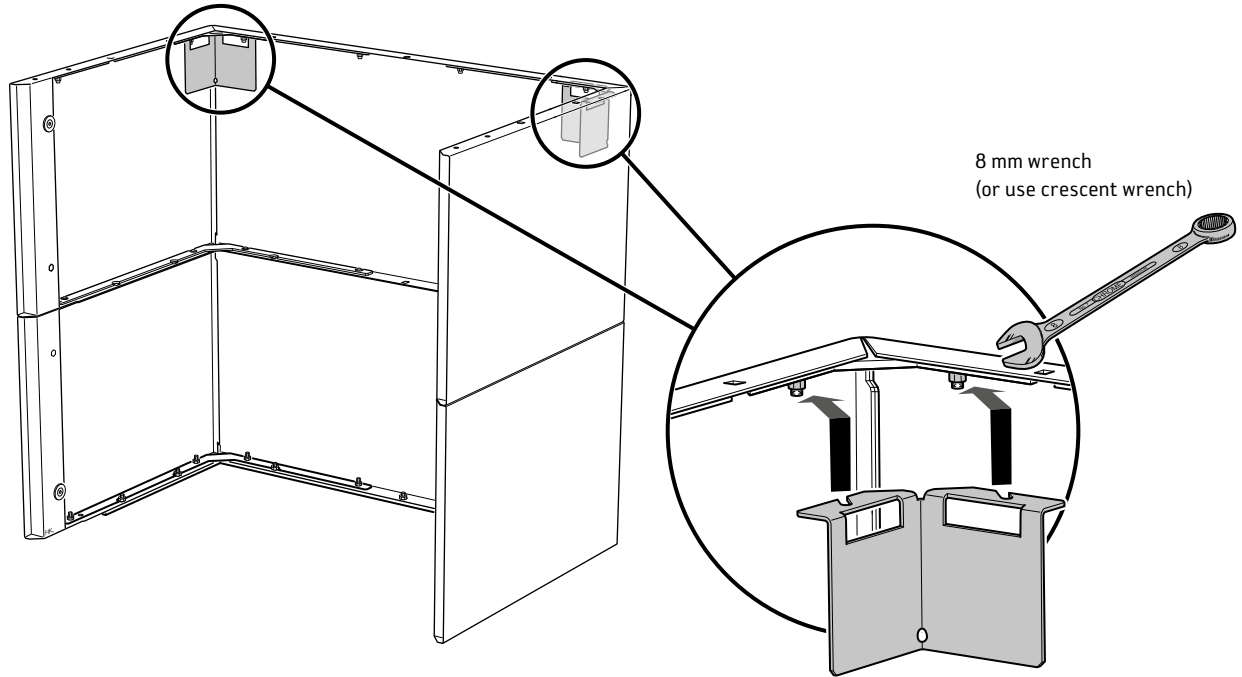
x 8  
M5 x 12  
Allen screw 3mm  
or 3/32"



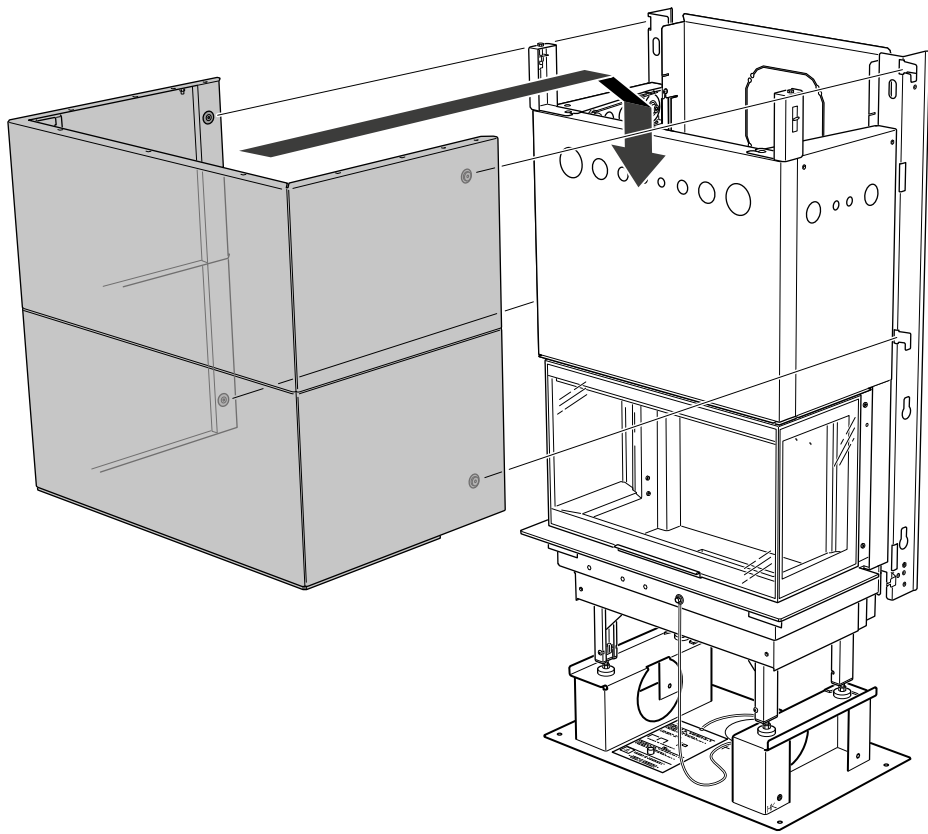
x 8  
Nut M5  
Tool 8 mm  
or 5/16" wrench

# installation

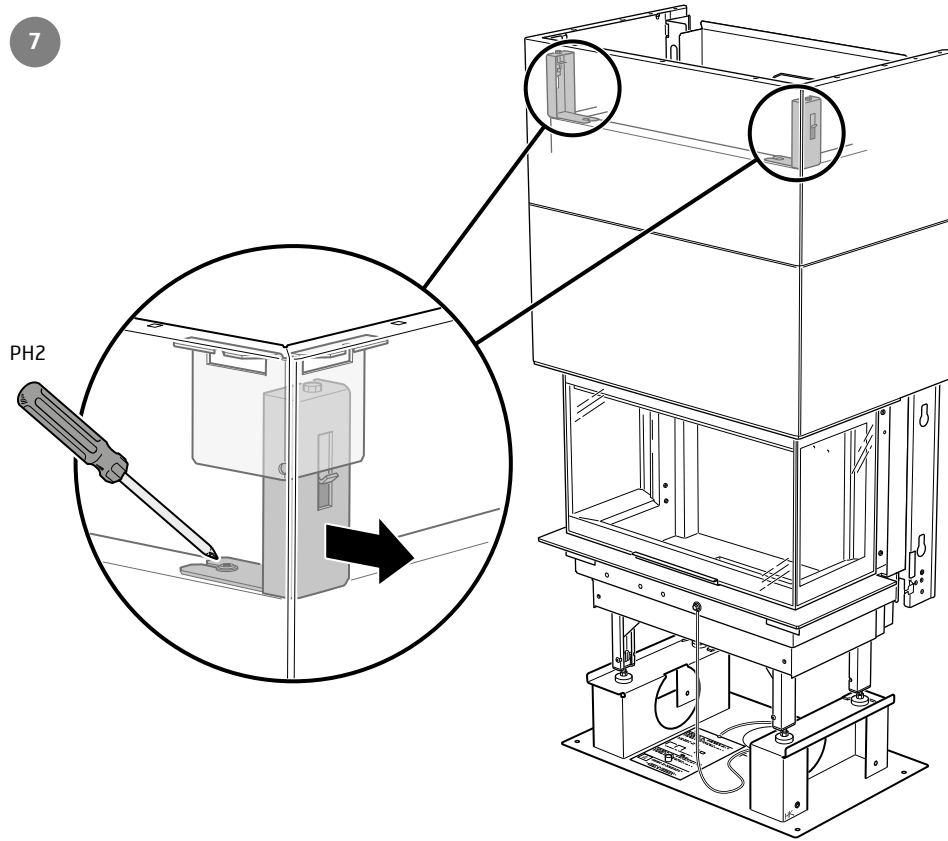
5



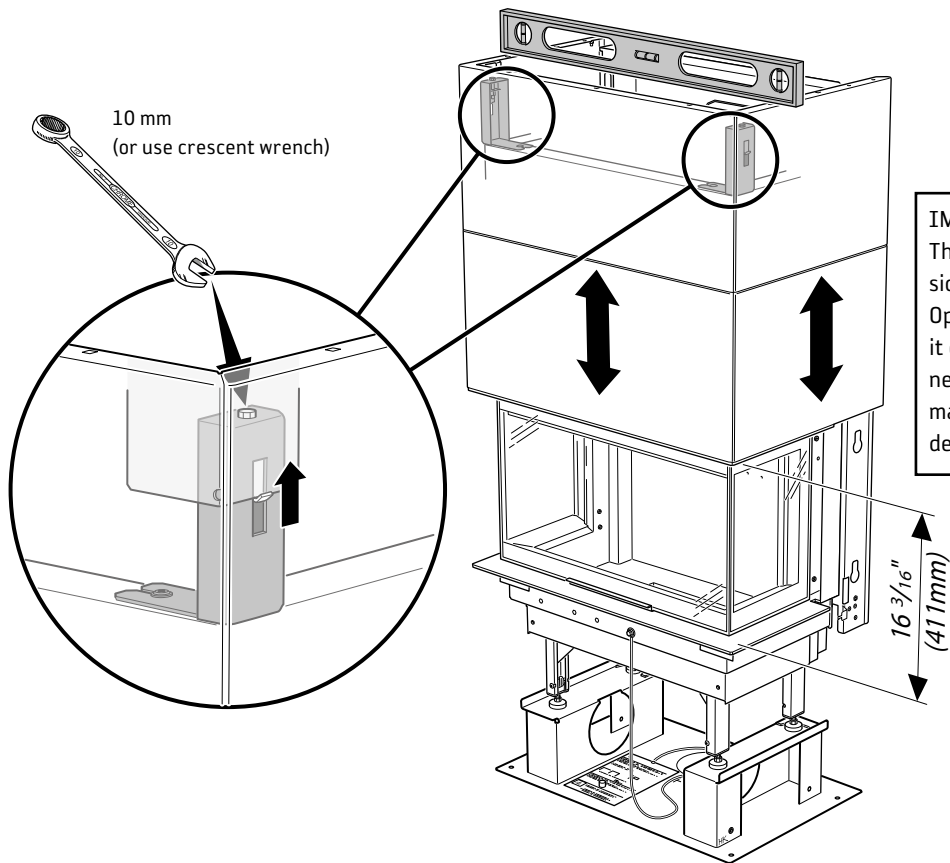
6



7



8



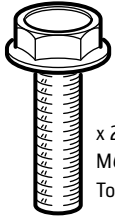
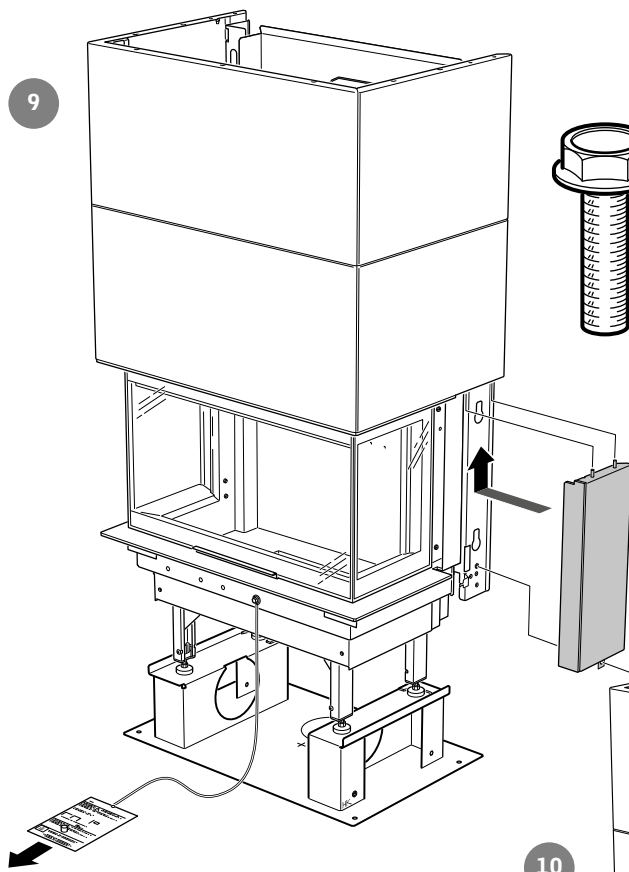
10 mm  
(or use crescent wrench)

**IMPORTANT!**  
This adjustment is crucial to ensure side doors will open. Open both side doors to ensure it does open up freely prior to next step. See page on firebox maintenance in this manual for details.



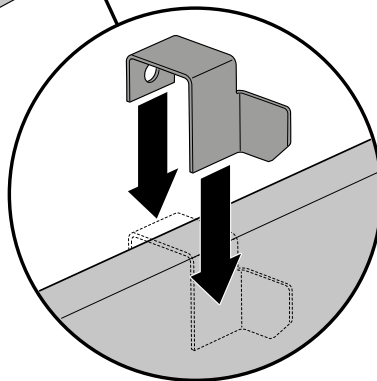
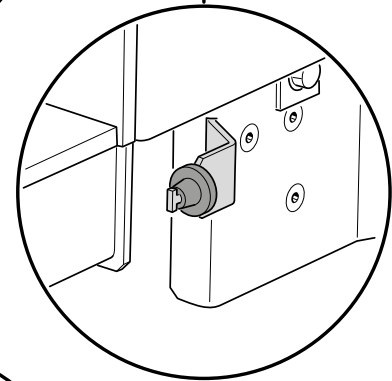
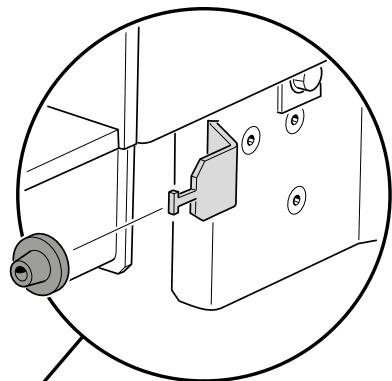
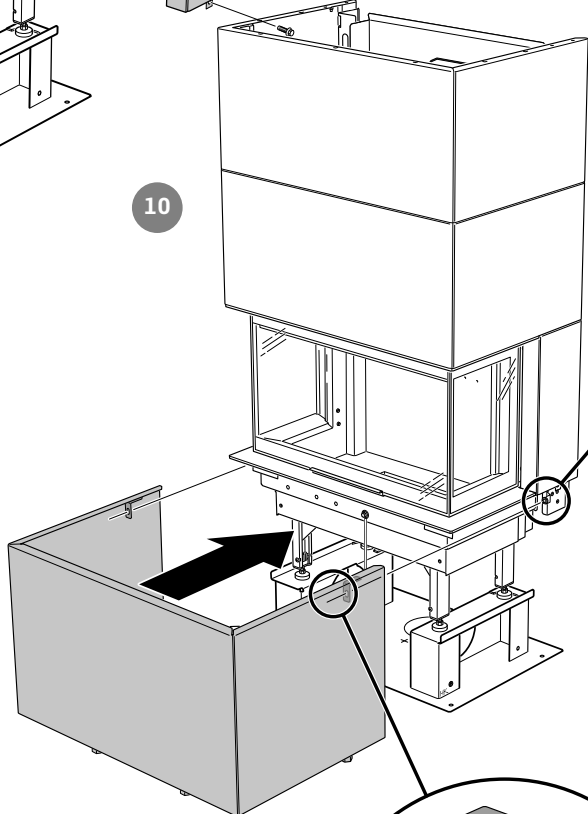
# installation

9



x 2  
M6 x 20  
Tool wrench or crescent wrench

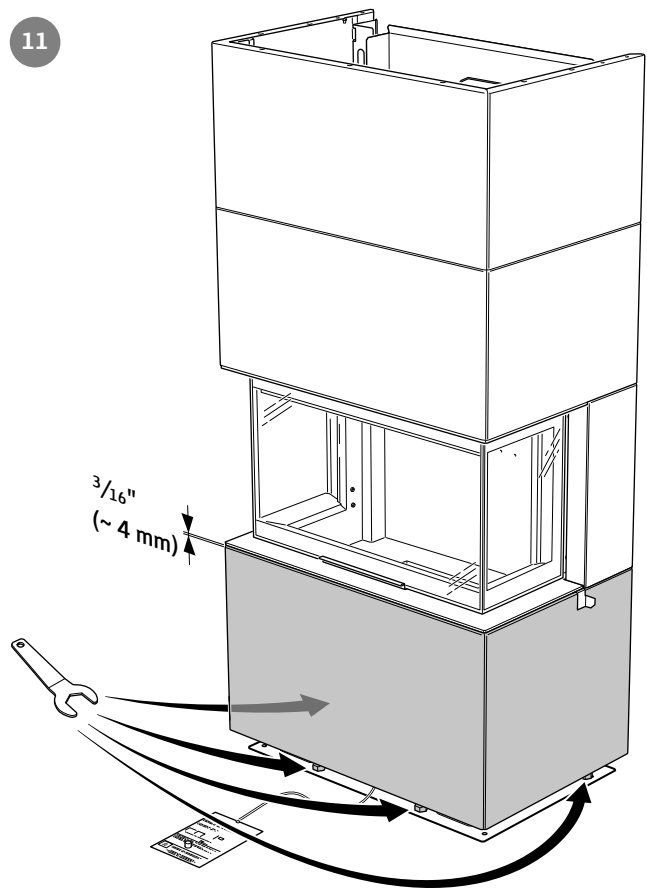
10



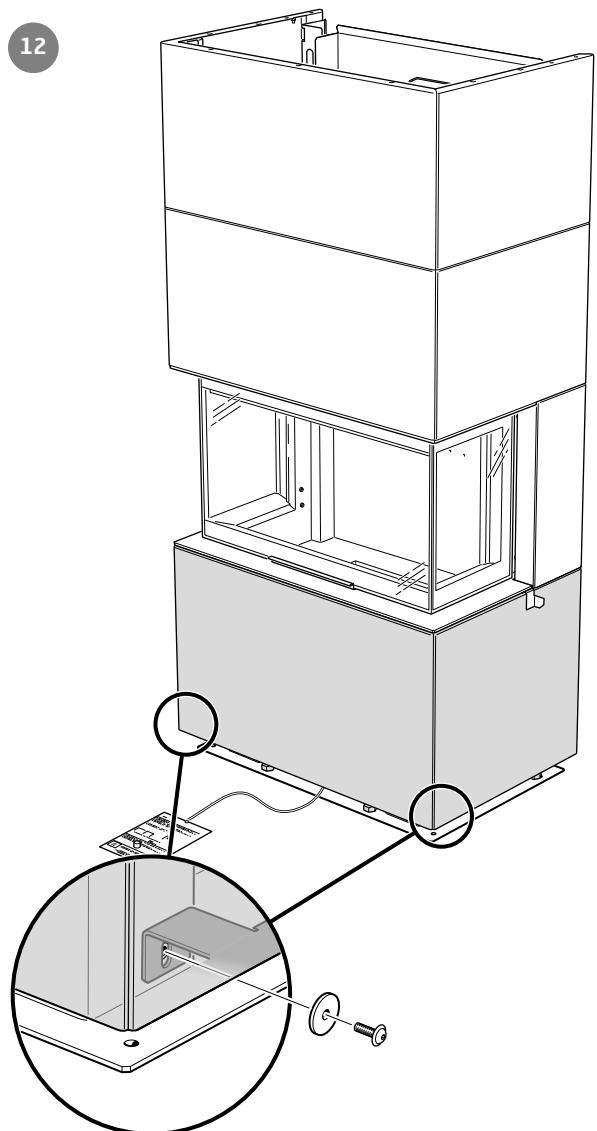
Install hanger for door operation tool before sliding bottom façade into position.



11



12



**Important:** If installing the 3 inch finishing trim, install finishing trim prior to this step. See instruction in this manual for details.

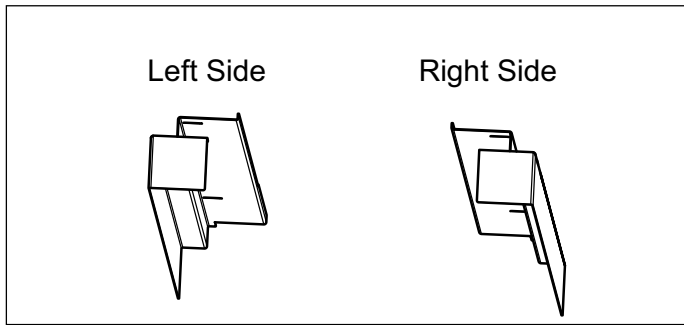


x 2  
M6 x 20  
Allen screw 4mm  
or 5/32"

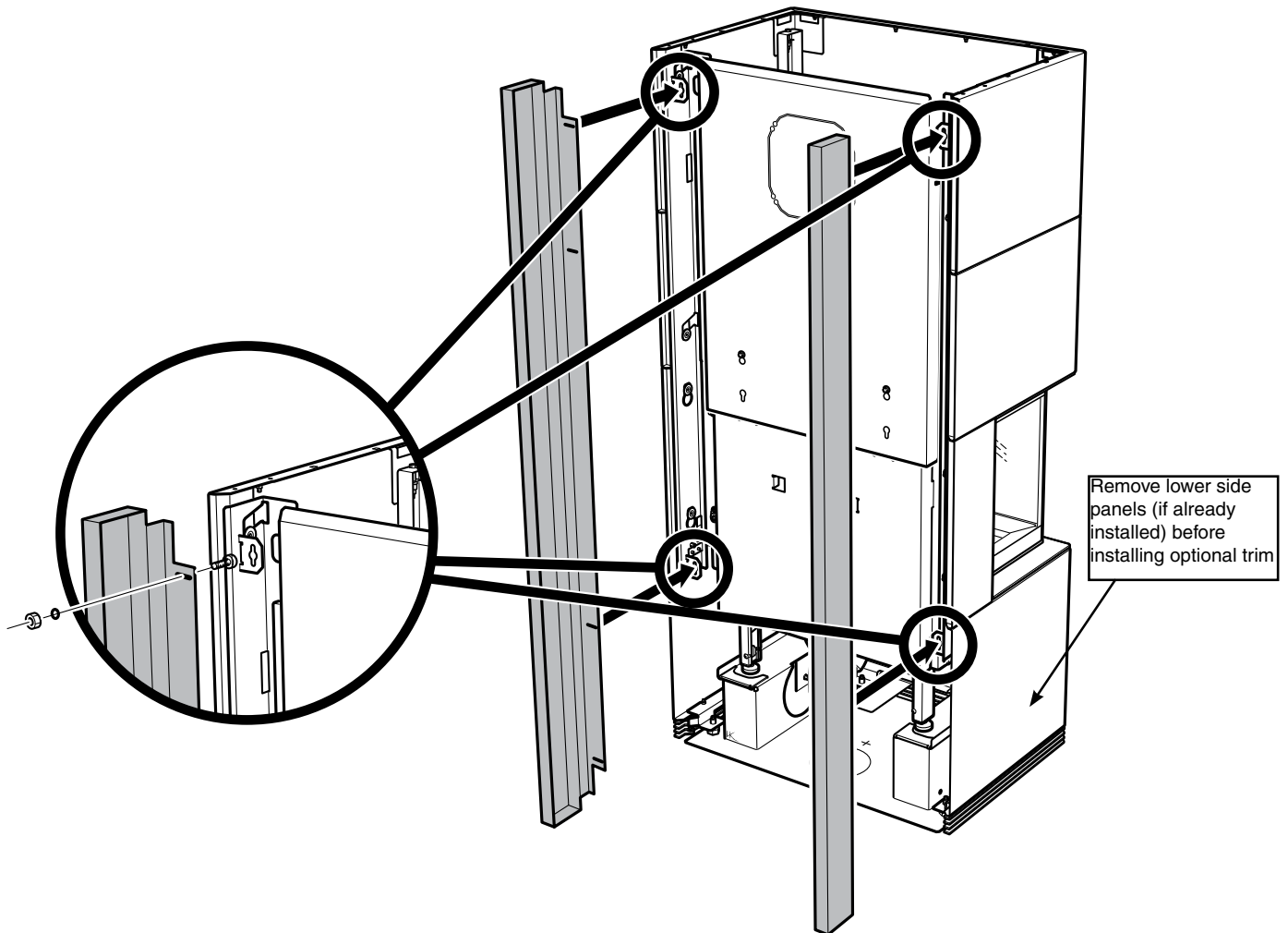
# installation

## Optional Trim Installation

1. Identify the left and right trim parts via the profile.



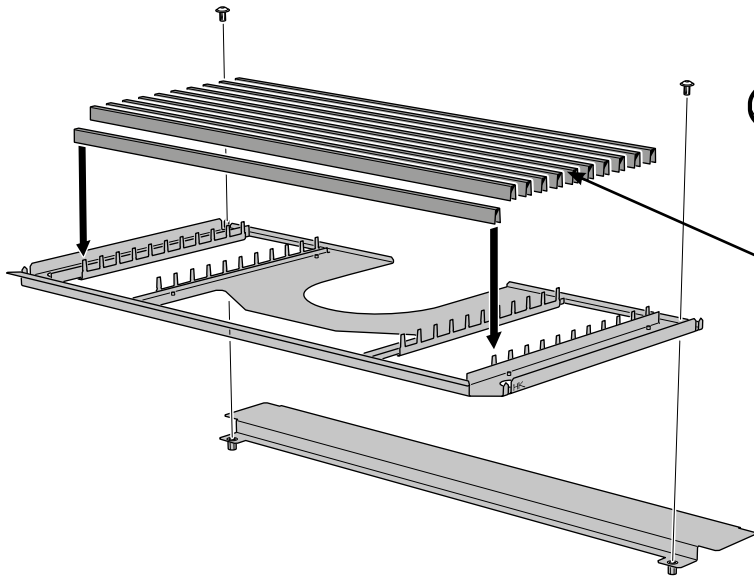
2. Line up the left and right trim with the keyhole brackets at the back of the unit.
3. Insert a bolt (head facing towards the unit) loosely into the trim slot.
4. Install the bolt head through the keyhole bracket , tighten the nuts when trim pieces are in proper position.



# Assembling grate and top

For rear connection

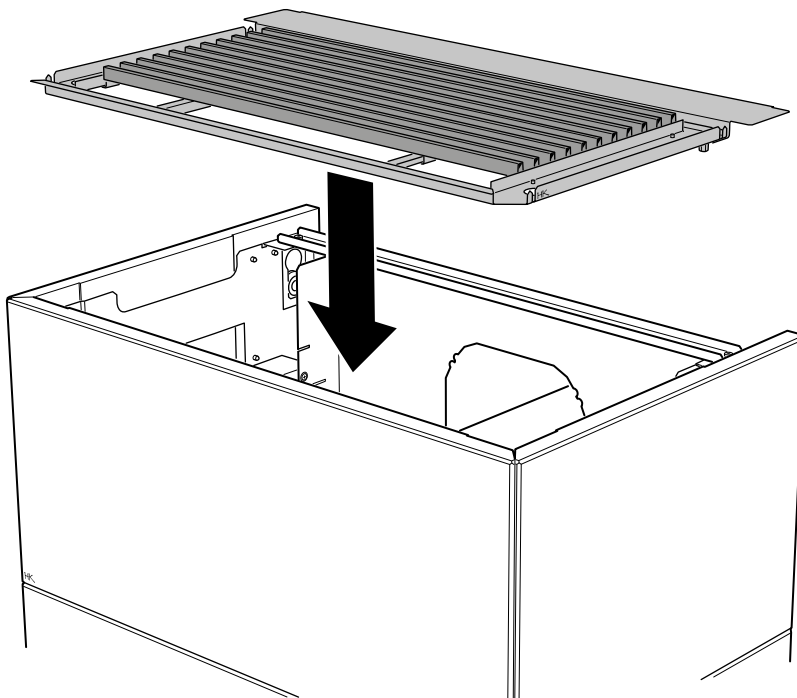
1



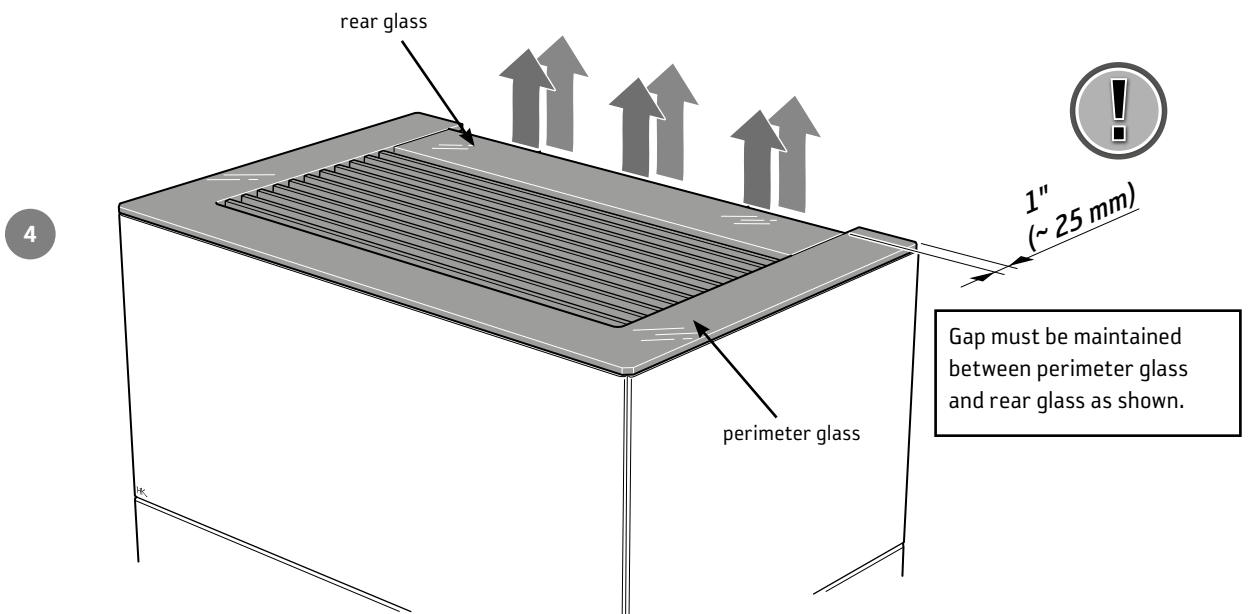
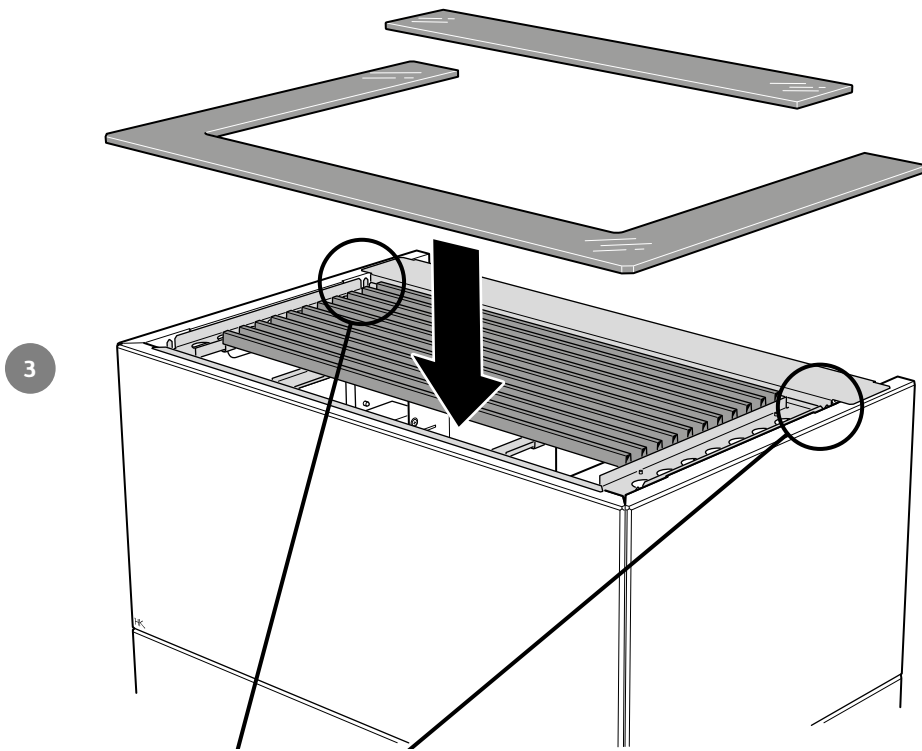
x 2  
M6 x 10  
Allen screw 4mm  
or 5/32"

Center and push downward to lock into place

2

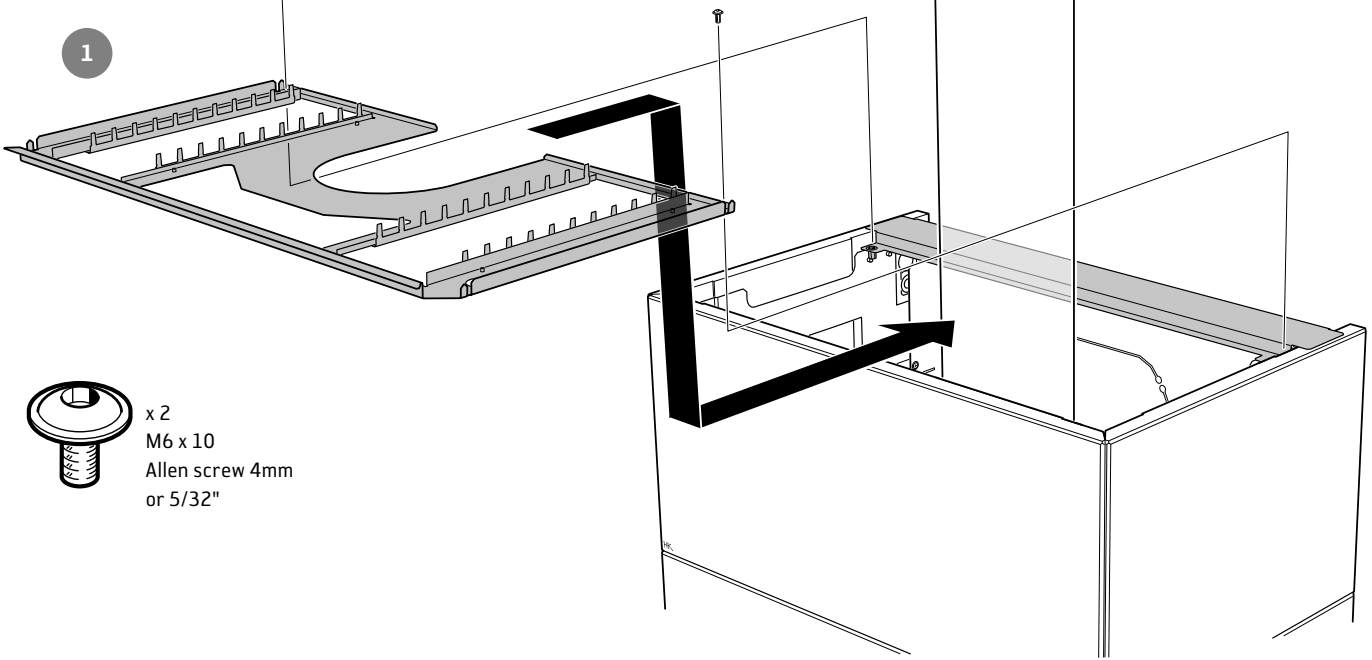


# installation



For top connection

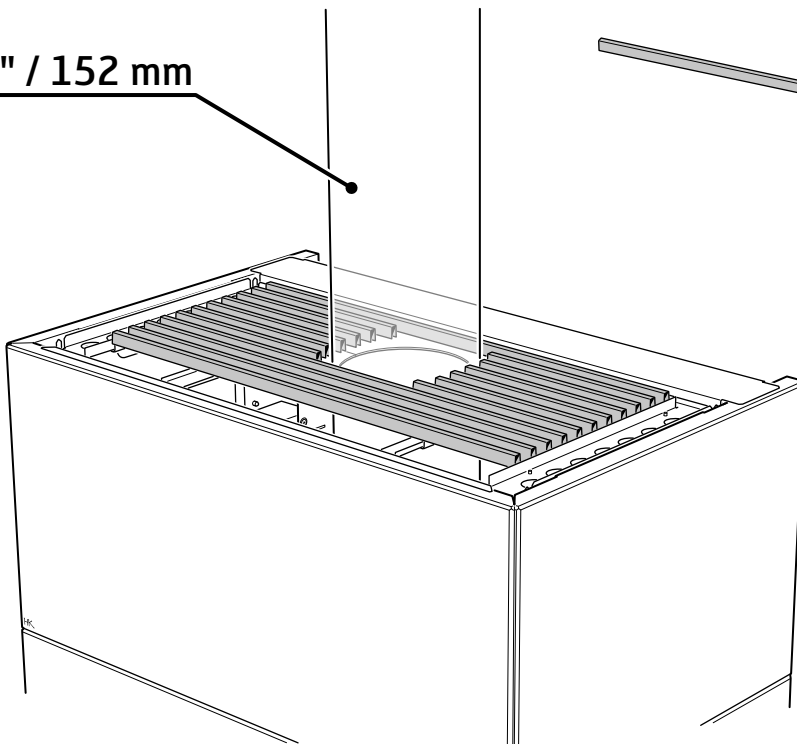
1

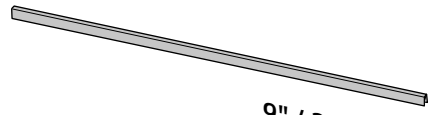
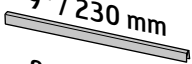
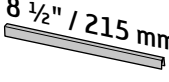


x 2  
M6 x 10  
Allen screw 4mm  
or 5/32"

6" / 152 mm

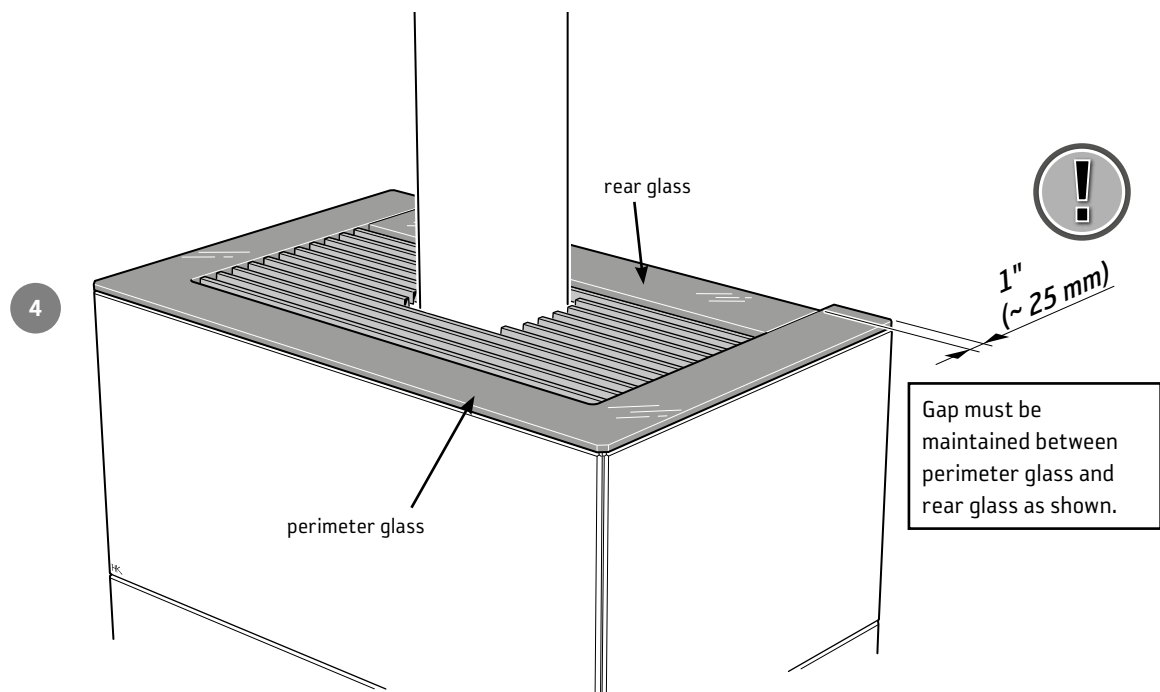
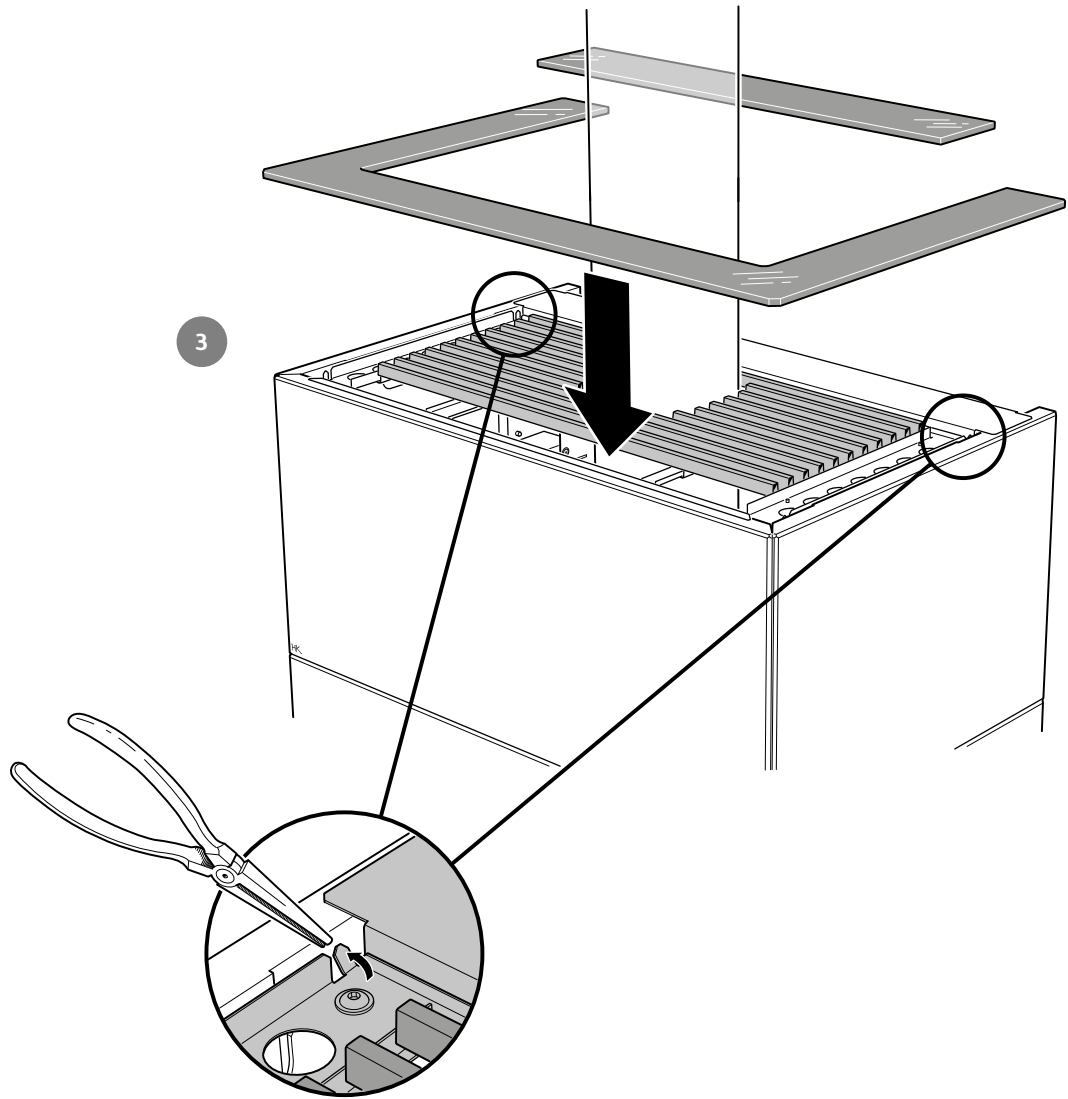
2



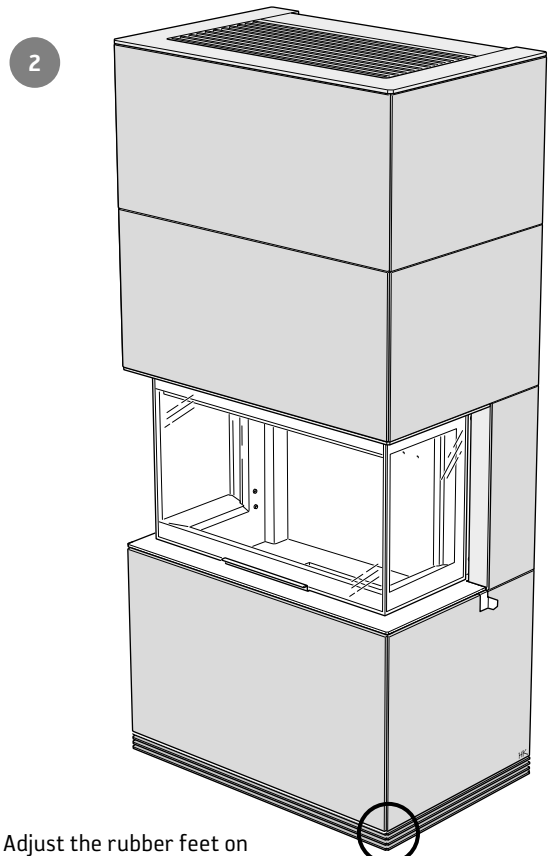
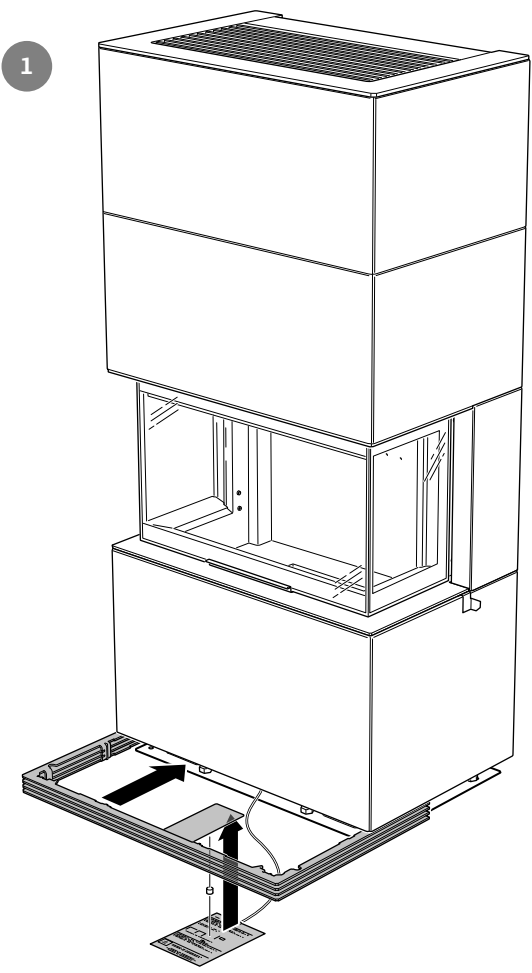
-  x 4
-  9" / 230 mm x 6
-  8 1/2" / 215 mm x 8

**Note:** The remaining bars are inside of the manual package and are used when going to top connection.

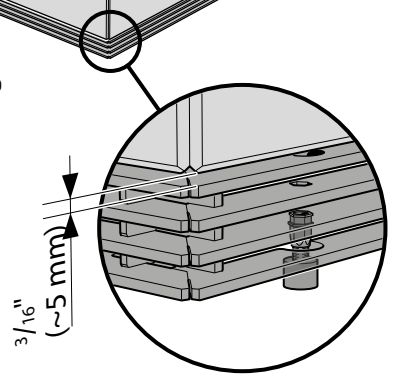
# installation



# Disc base



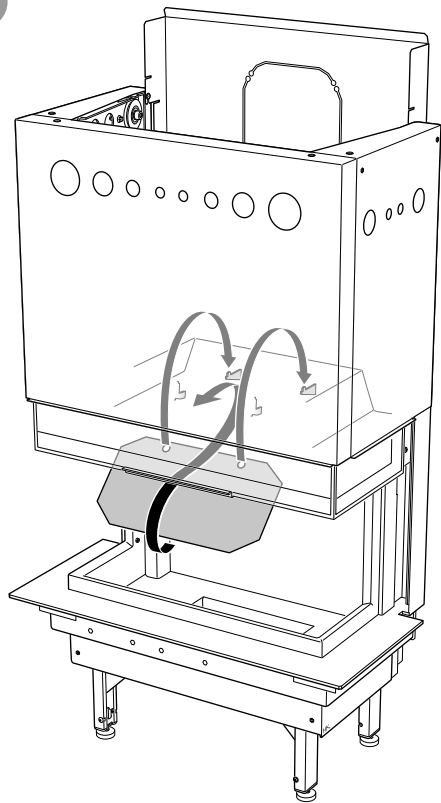
Adjust the rubber feet on the disc base so that the gap up to the stone is 3/16" (5 mm).



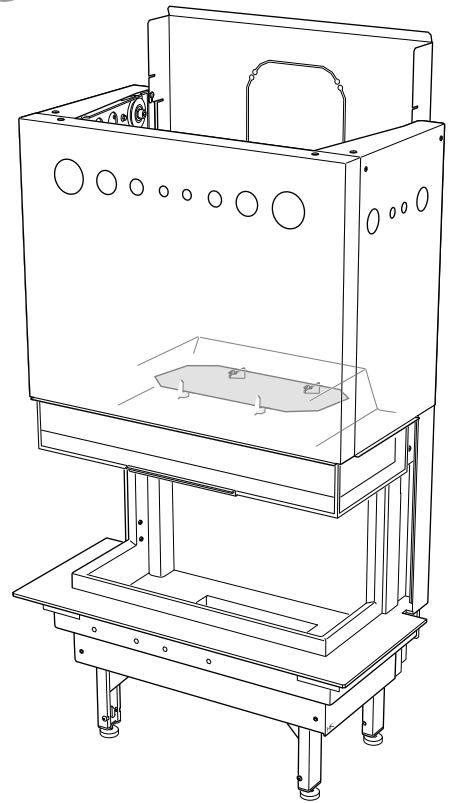
# installation

## Installing the firebox cladding

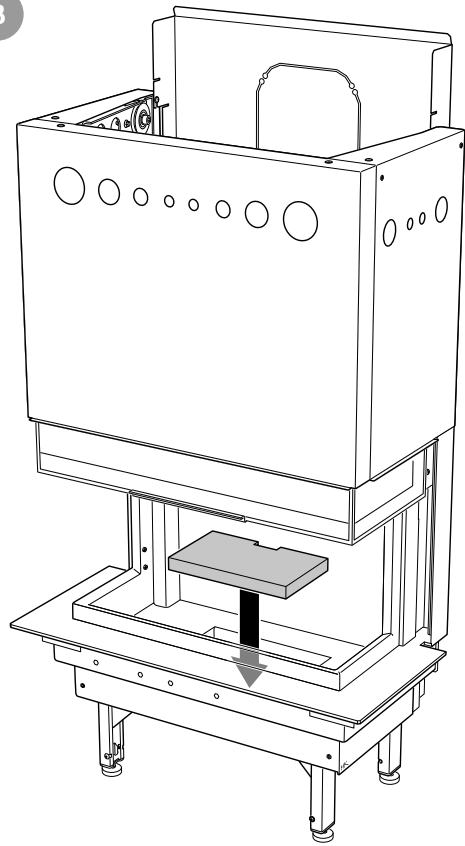
1



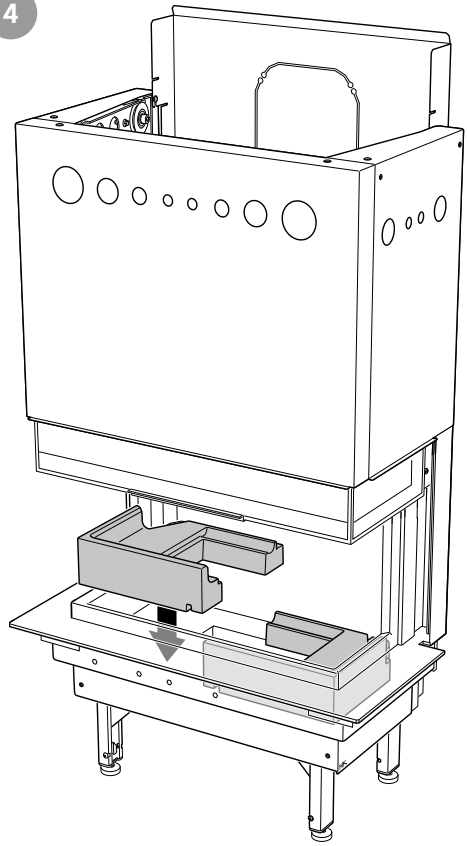
2



3

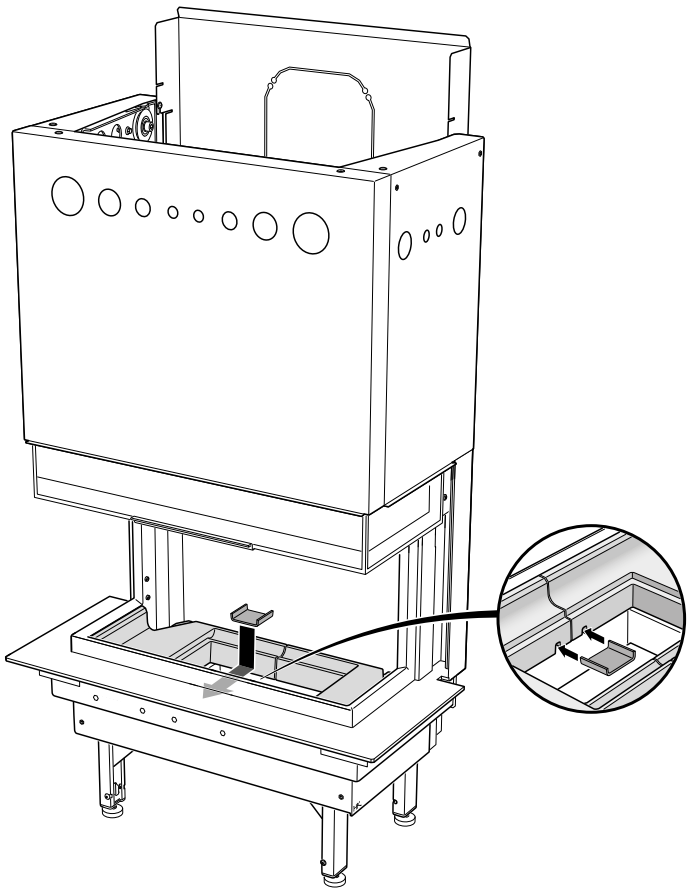


4

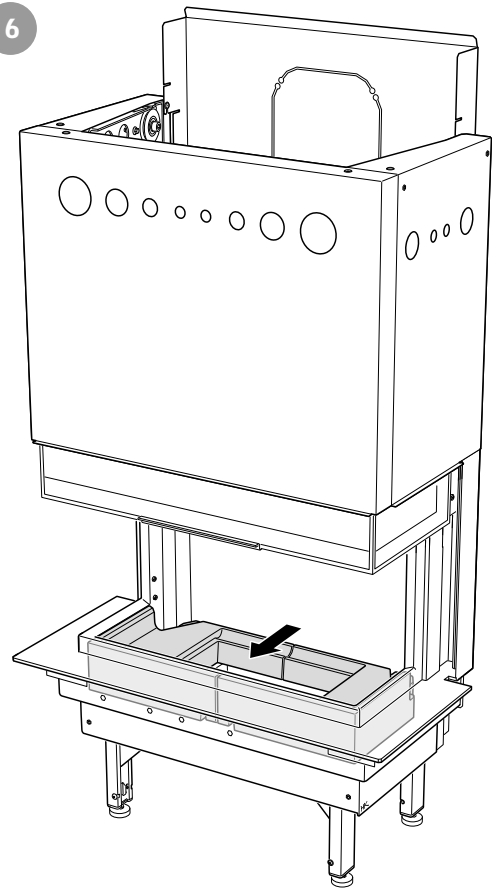




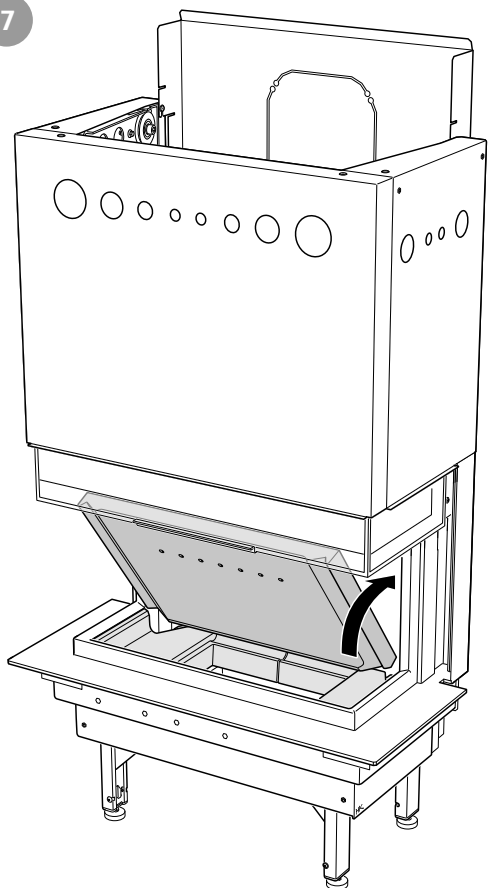
5



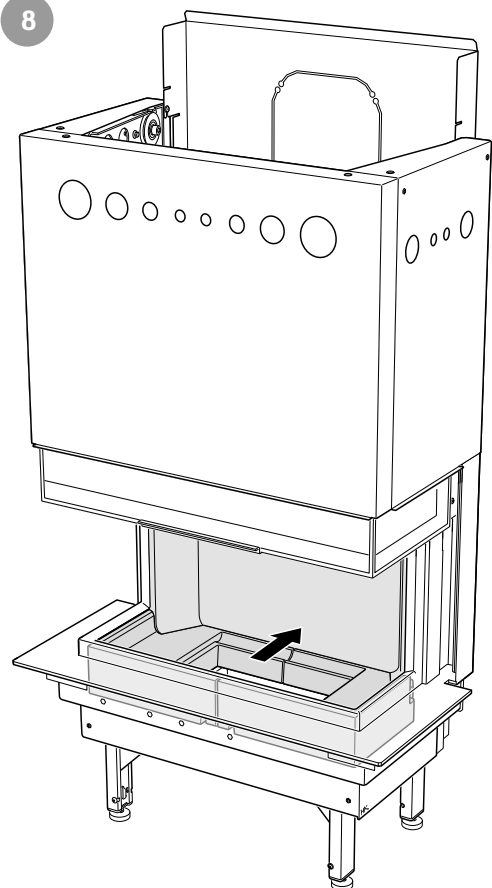
6



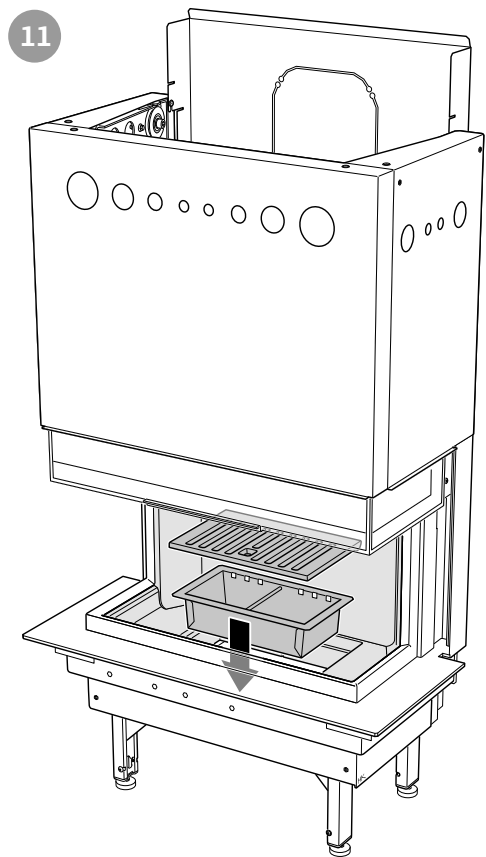
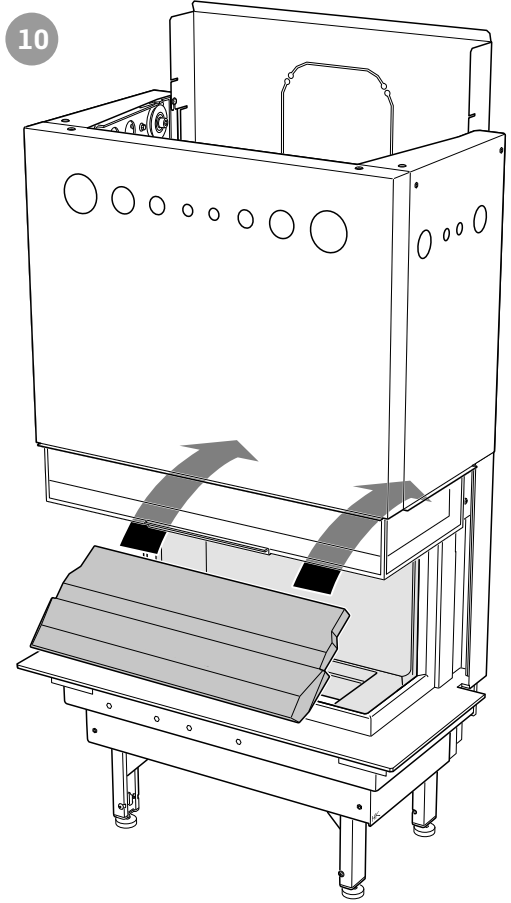
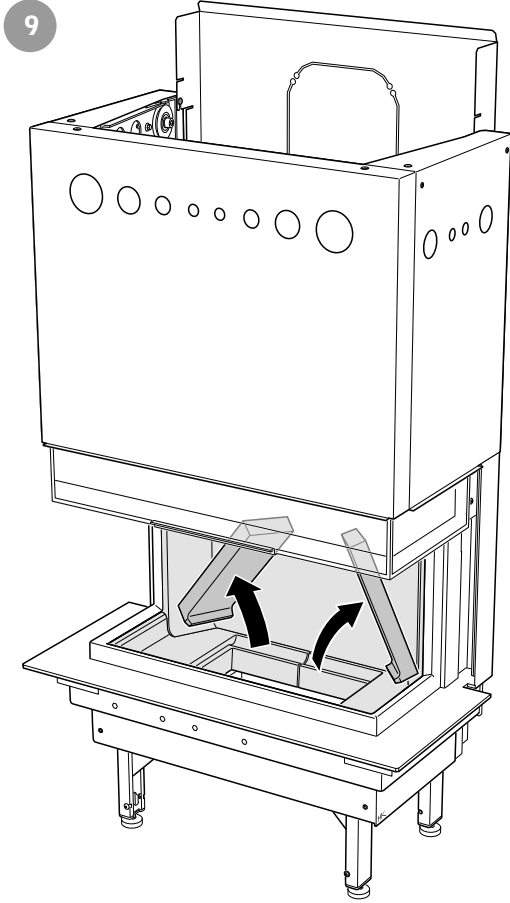
7



8



# installation



## Ash disposal

During constant use, ashes should be removed every few days. The fireplace features a convenient ash dump for easy removal of ash.

### Safety Precautions

1. Do not allow ashes to build up to the loading doors! Only remove ashes when the fire has died down. Even then, expect to find a few hot embers.
2. When emptying the ash drawer, make sure the ashes are cold. Ashes should be placed in a metal container with a tight fitting lid. The closed container of ashes should be placed on a non-combustible floor or on the ground, well away from all combustible materials, pending final disposal. If the ashes are disposed of by burial in soil or otherwise locally dispersed, they should be retained in the closed container until all cinders have thoroughly cooled. Other waste should not be placed in the ash container.
3. Never start a fire if the ash grate and ash drawer are not in place. This will cause over firing which can cause excessive warping of the fireplace. Evidence of over firing can void the warranty on your fireplace.
4. The firebricks are brittle and can be damaged if the plug is replaced carelessly or pieces that are too large are forced through the hole.
5. **CAUTION: DO NOT CLEAN GLASS WHEN HOT.**
6. Do not operate with door open. Possible consequences of operation with firing door open.

**CAUTION:**  
Hot while in operation. Keep children, clothing, and furniture away. Contact may cause skin burns.

## Safety guidelines and warnings

1. **CAUTION:** Never use gasoline, gasoline type lantern fuels, kerosene, charcoal lighter fuel, or similar liquids to start or 'freshen up' a fire in your heater. Keep all such liquids well away from the heater while it is in use.
  2. Keep the door closed during operation and maintain all seals in good condition.
  3. Do not burn any quantities of paper, garbage, and never burn flammable fluids such as gasoline, naphtha or engine oil in your fireplace.
  4. If you have smoke detectors, prevent smoke spillage as this may set off a false alarm.
  5. Do not overfire heater. If the chimney connector, flue baffle or the fireplace top begin to glow, you are over firing. Stop adding fuel. Over firing can cause extensive damage to your fireplace including warping and premature steel corrosion. Over firing will void your warranty.
  6. Do not permit creosote or soot build-up in the chimney system. Check and clean chimney at regular intervals. Failure to do so can result in a serious chimney fire. Clean the chimney once every two months.
  7. Your Contura fireplace can be very hot. You may be seriously burned if you touch the fireplace while it is operating, keep children, clothing and furniture away. Warn children of the burn hazard.
  8. The fireplace consumes air while operating, provide adequate ventilation with an air duct or open a window while the fireplace is in use.
  9. Do not connect this unit to a chimney flue serving another appliance.
  10. Do not use grates or andirons or other methods for supporting fuel. Burn directly on the bricks.
  11. Do not connect your unit to any air distribution duct.
  12. This heater is designed to burn natural wood only. Higher efficiencies and lower emissions generally result when burning air dried seasoned hardwoods, as compared to softwoods or to green or freshly cut hardwoods.
  13. Do not place wood, paper, furniture, drapes or other combustibles near the appliance.
  14. **CAUTION:** Do not operate with broken glass.
- CAUTION:** Do not abuse glass doors such as striking or slamming shut.
- CAUTION:** Do not use substitute materials.
- CAUTION:**  
Do not use chemicals as fluids to start fire!

## operating instructions

### Creosote -- Formation and need for Removal

When wood is burned slowly, it produces tar and other organic vapors, which combine with expelled moisture to form creosote. The creosote vapors condense in the relatively cool chimney flue of a slow-burning fire. As a result, creosote residue accumulates on the flue lining. When ignited this creosote makes an extremely hot fire.

Establish a routine for the fuel, wood burner and firing technique. Check daily for creosote build-up until experience shows how often you need to clean to be safe. Be aware that the hotter the fire the less creosote is deposited, and weekly cleaning may be enough in the coldest months. Contact your local municipal or provincial fire authority for information on how to handle a chimney fire. Have a clearly understood plan to handle a chimney fire.

### DO NOT BURN:

- Treated wood
- Coal
- Garbage
- Cardboard
- Solvents
- Colored Paper
- Trash
- Salt drift wood
- Cut lumber, plywood, mill ends.

Burning treated wood, garbage, solvents, colored paper or trash may result in release of toxic fumes. Burning coal, cardboard, or loose paper can produce soot, or large flakes of char or fly ash.

### CAUTION:

**DO NOT BURN GARBAGE OR FLAMMABLE LIQUIDS SUCH AS GASOLINE, NAPHTHA OR ENGINE OIL. SOME FUELS COULD GENERATE CARBON MONOXIDE AND ARE VERY DANGEROUS.**

### CAUTION:

**DO NOT CONNECT TO, OR USE IN CONJUNCTION WITH ANY AIR DISTRIBUTION DUCT WORK UNLESS SPECIFICALLY APPROVED FOR SUCH INSTALLATION.**

## Seasoned Firewood

Whether you burn wood in a fireplace, or insert, good quality firewood is the key to convenience, efficiency and safety. Wet wood and pieces that are not the right size and shape for your wood burner can be frustrating, burn inefficiently and deposit creosote that can fuel a dangerous chimney fire. Good planning, seasoning and storage of the firewood supply are essential to successful wood burning.

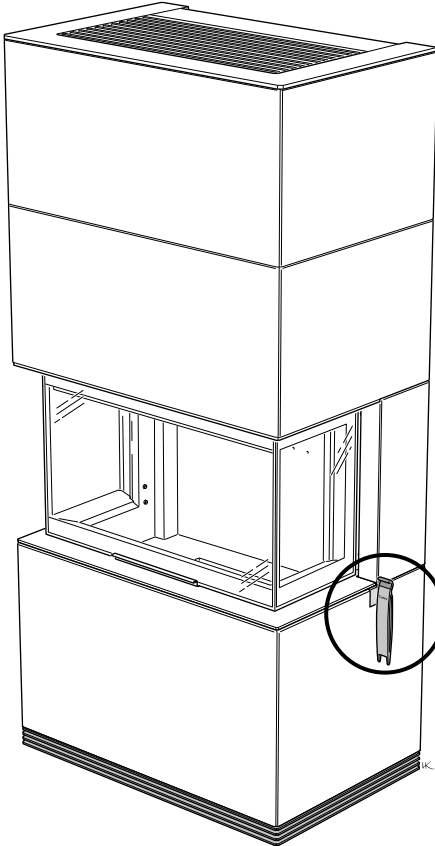
- Stack the wood in separate rows in an open location where the summer sun can warm it and breezes can carry away the moisture. Do not stack unseasoned wood tightly in an unvented storage area.
- Do not allow firewood to lie on the ground for more than a couple of days before stacking. Mould and rot can set in quickly.
- Stack the wood up off the ground on poles, lumber rails or pallets.
- The top of the pile can be covered to keep off rain, but do not cover the sides.

Softer woods like pine, spruce and poplar/aspen that is cut, split and stacked properly in the early spring maybe be ready for burning in the fall. Extremely hard woods like oak and maple, and large pieces of firewood, may take a minimum of a full year to dry enough. Drying may also take longer in damp climates.

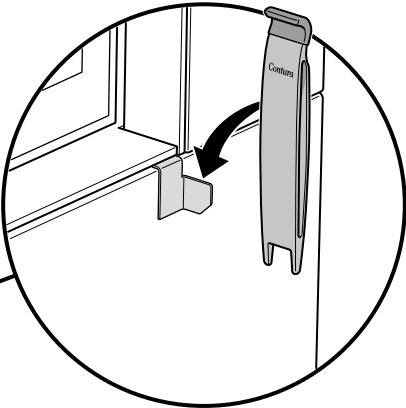
There are a few ways to tell if wood is dry enough to burn efficiently. Use as many indicators as possible to judge the dryness of the firewood you are considering. Here are ways to judge firewood moisture.

- Using a moisture meter, select the species of fuel and then penetrate the pins into a split piece. Ideal moisture and seasoned firewood should be less than 20% moisture content.
- Checks or cracks in the end grain can be an indication of dryness, but may not be a reliable indicator. Some wet wood has checks and some dry wood has no checks.
- The wood tends to darken from white or cream colour to grey or yellow as it dries.
- Two dry pieces banged together sound hollow; wet pieces sound solid and dull.
- Dry wood weighs much less than wet wood.
- Split a piece of wood. If the exposed surface feels damp, the wood is too wet to burn.

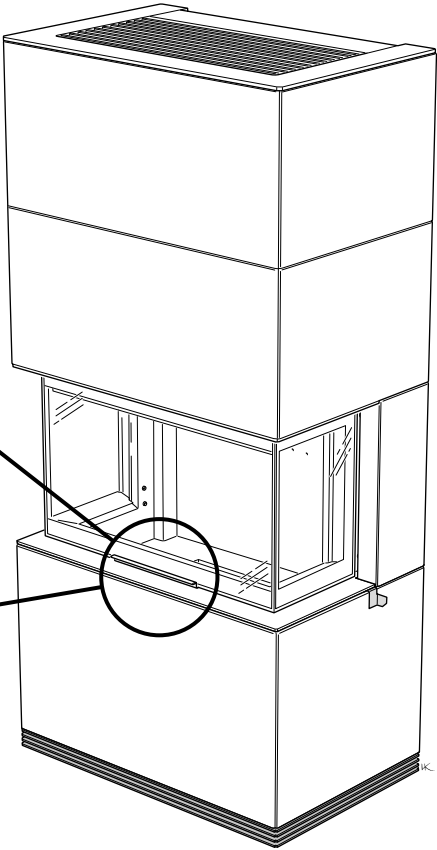
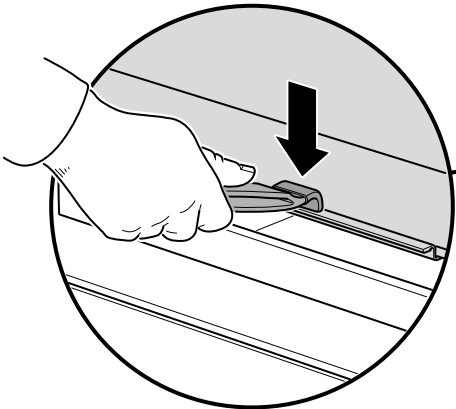
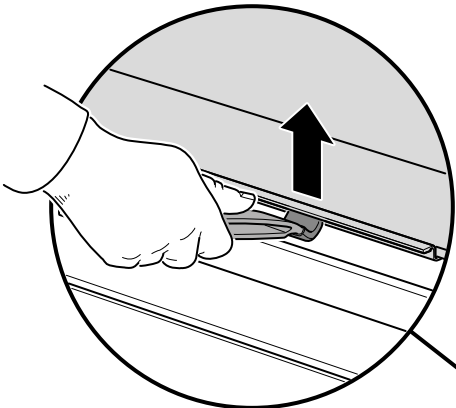
# Door operation



The Contura Ri50 is supplied with a cool touch door operation tool which is stored on the side of the unit when not in use.



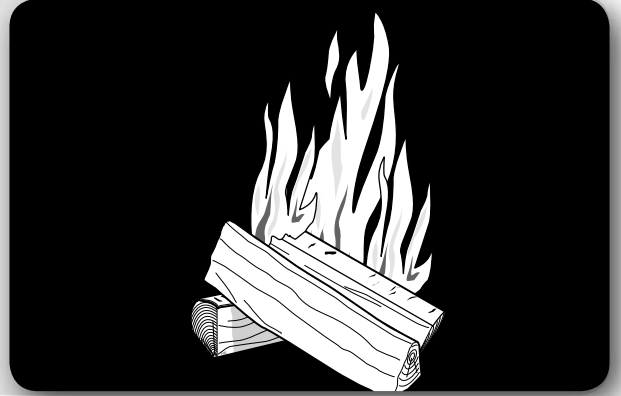
Use the cool touch door tool when opening, closing and refueling the fireplace.



## operating instructions

### Lighting in the right way

It is important that the correct amount of wood is used, especially when lighting. Follow the kindling procedure below, after which the fireplace must be burnt with the door closed because of the risk of smoke entering the room. Always open the door carefully and slowly to prevent blow back due to the change of pressure in the appliance. The function of the fireplace differs depending on the conditions in the room.



### Lighting for the first time

The firebox insulation in your new fireplace consists of Thermotte®, a stone material with excellent insulating properties. It contains a certain amount of water that evaporates during the first lighting.

While this happens, combustion may seem to be slow, and soot may build up on the insulation panels. Do not compensate for the

slow combustion by adding to the fire. There is a risk of the panels cracking if they are put under stress before they have cured. When the panels regain their original colour they can be considered to have cured. The fireplace will emit an odour of excess paint and oil coating that may remain on the panels. The odour will disappear completely after several fires.

### Lighting

Note that if too little kindling is used when lighting, or if the wood is too thickly cut, the firebox will not reach the correct operating temperature. Incorrect lighting can lead to poor combustion with heavy sooting and may result in the fire going out when the door is shut.

If the house has mechanical ventilation, it may be necessary to open a window near to the fireplace prior to lighting. Leave the window open for a few minutes until the fire has caught properly.

1. Open the door completely.
2. The start-up fire must consist of approximately 11 pieces of very small kindling of varying dimensions. Finely chopped.

Make up the fire as follows:

- Place a few thick pieces of kindling on the bottom.
- Place 3-4 firelighters or lots of crumpled newspaper on the middle piece of kindling.
- Place 2 thinner pieces of kindling on each side of the stack on top (set up like a teepee). Then place 3 further smaller pieces of kindling across. Place the thinnest pieces of kindling across again. The wood may need to be positioned diagonally in order to fit.

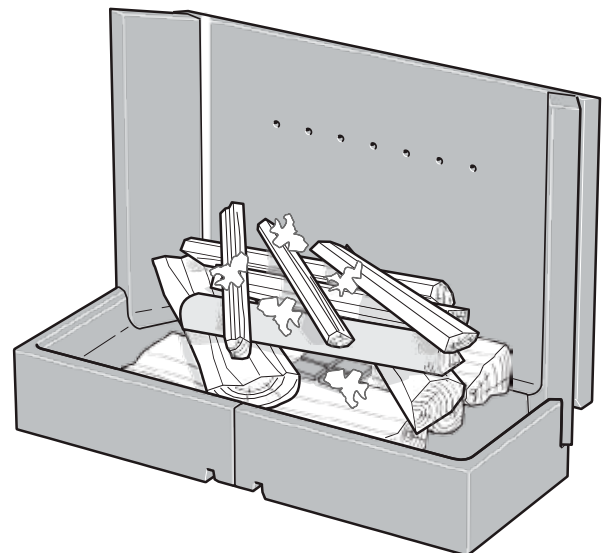
3. Place more crumpled newspaper on top of the fire.

4. Light the top newspaper first -- then the bottom newspaper. Close the door. Allow the wood to start crackling and draft has been created-- then close the door completely.

5. We recommend firestarter.

**CAUTION:** Do not build fire too close to the glass to help maintain proper airflow and minimize cleaning.

**CAUTION:** Only operate with door fully closed.



## Adding wood

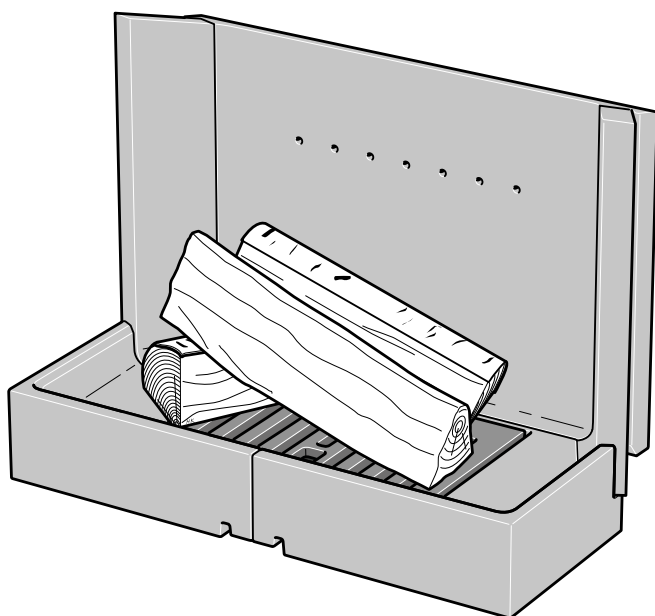
It is very important to build up the fire. Use small split pieces after the lighting stage to establish a hot coal bed. The first and second loads of wood after lighting, it is recommended to use 3 pieces of wood to build up a proper glowing bed of embers and get the fireplace to operating temperature. When a proper glowing bed of embers is achieved, you can continue to add 2 pieces of wood at a time.

**Ensure all fuel is properly seasoned and dry.**

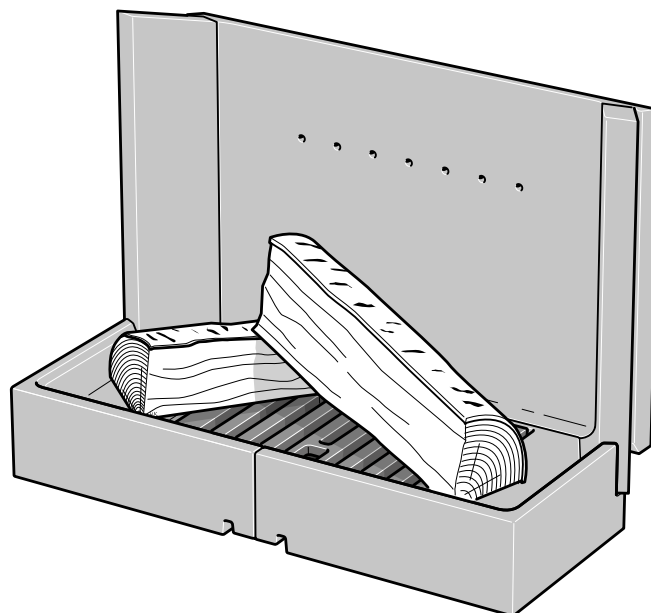
1. Open the door.
2. Insert one piece of split wood diagonally on the bottom and place the remaining logs on top.

**WARNING:** It is very important NOT TO overfire the unit. Adding excessive fuel and overfiring will cause damage to the unit and therefore, void the warranty.

First and second load



Following loads: Max. 2 pieces,  
Max. log length 16"



## Cleaning your chimney

Both the chimney and the appliance must be inspected and cleaned regularly to maintain performance and to reduce risk of creosote build up. For chimney cleaning you will need to consider the following:

- Proper brush designed for the 6" diameter chimney.
- Remove all baffles within firebox and clean.
- Access to the chimney cap. Remove and clean chimney from the top down.
- Inspect flashing, cap, chimney connections. Clean interior of firebox, bricks, baffles.

# Firebox maintenance

The glass may become sooty with use, even if the fireplace is lit with dry wood with a moisture content of 15 – 20%. Regular cleaning with dry paper is usually sufficient to keep it clean. If the soot has been on the glass for a prolonged period, use a cleaning agent or a special soot removal agent to remove it. Such agents can be purchased from regular hardware stores or from your local fireplace dealer. Never use cleaning agents that contain any abrasives, these can damage the glass.

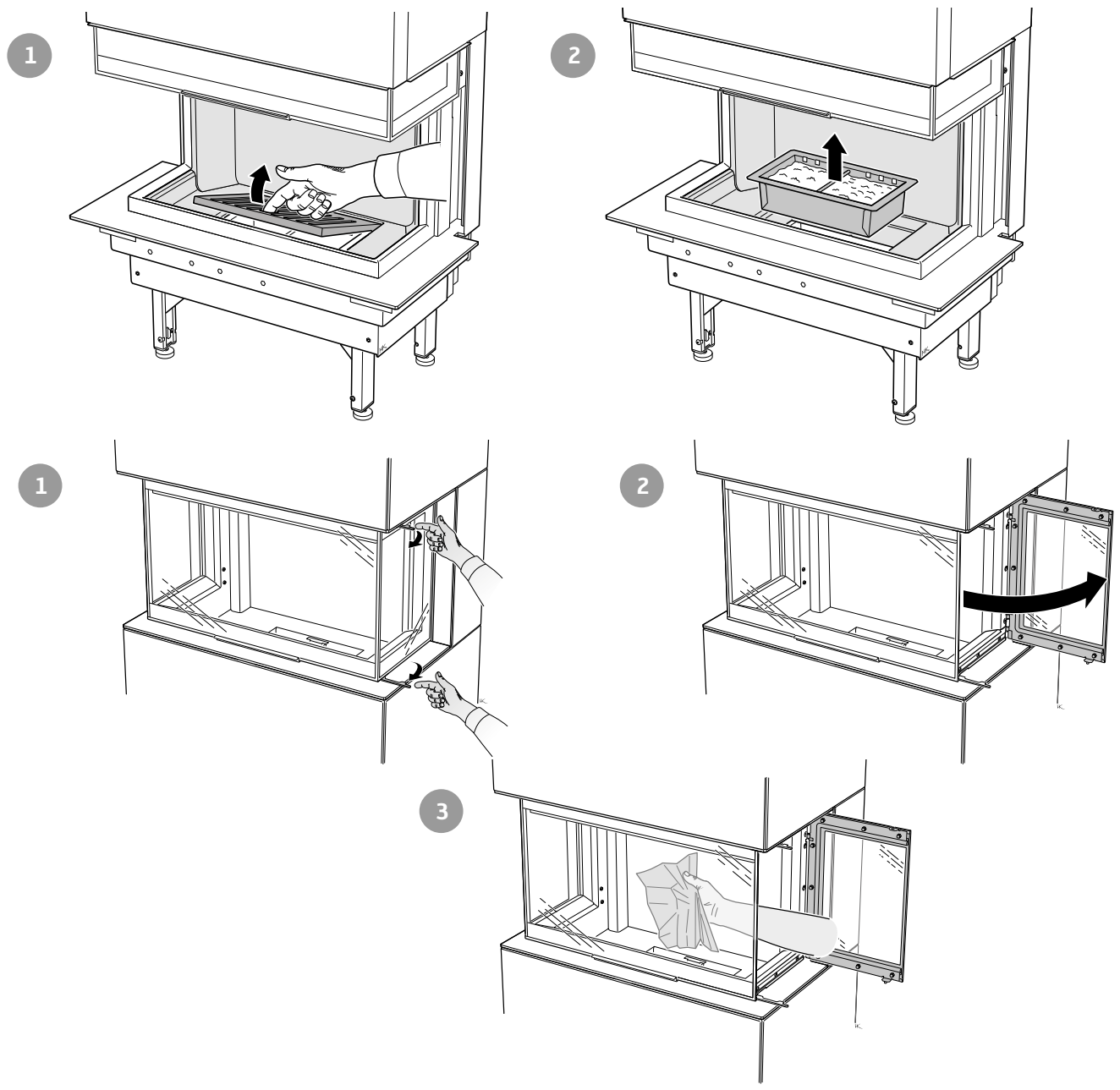
When the ash level in the ash box has reached the square holes, empty the ash box. When emptying the ash box, ensure that there are no glowing embers. Lift the grate and fold it back (see the illustration). The ash-pan can then be lifted straight up. The ash must be stored in a fireproof container with a lid for at least one week before being disposed of. The grate and other cast iron components can be cleaned using a wire brush.

It is important from a combustion point of view to check gaskets, as worn gaskets hinder combustion when the fireplace draws "extra air".

Painted parts of the fireplace can be cleaned using a damp cloth, with a small amount of detergent, if necessary.

As there is a constant large flow of air through the fireplace's surround, cold room air is drawn in and hot air released, dust can collect in the surround's air intakes. Therefore, these should be regularly cleaned.

Parts located near the actual seat of the fire may require replacing. Examples of such parts are the firebox panels and grate. The service life of these parts depends on how much and how the fireplace is used.



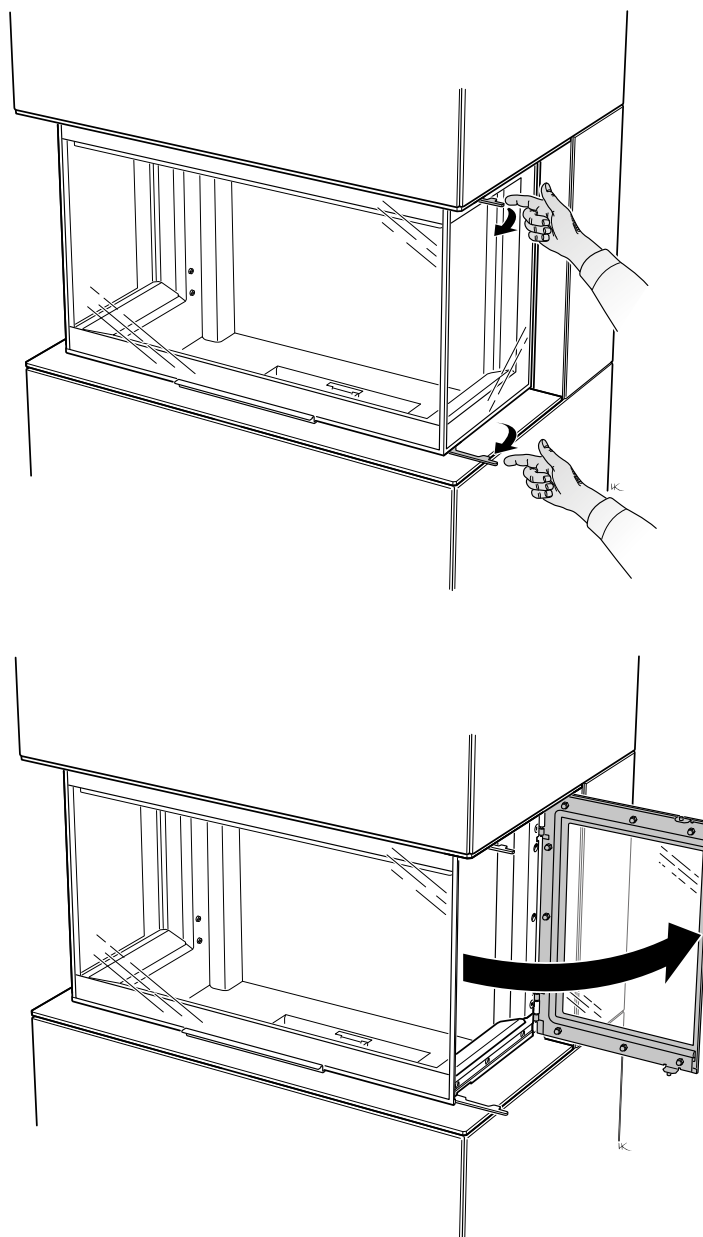


# Service Manual: Inspections, Maintenance

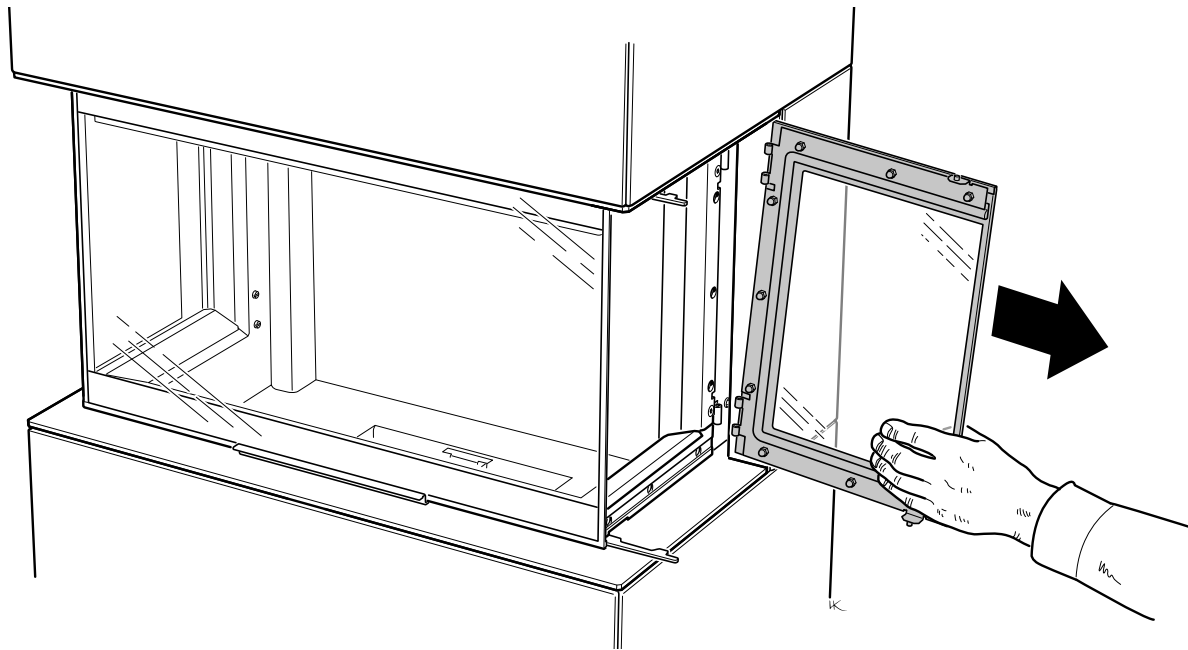
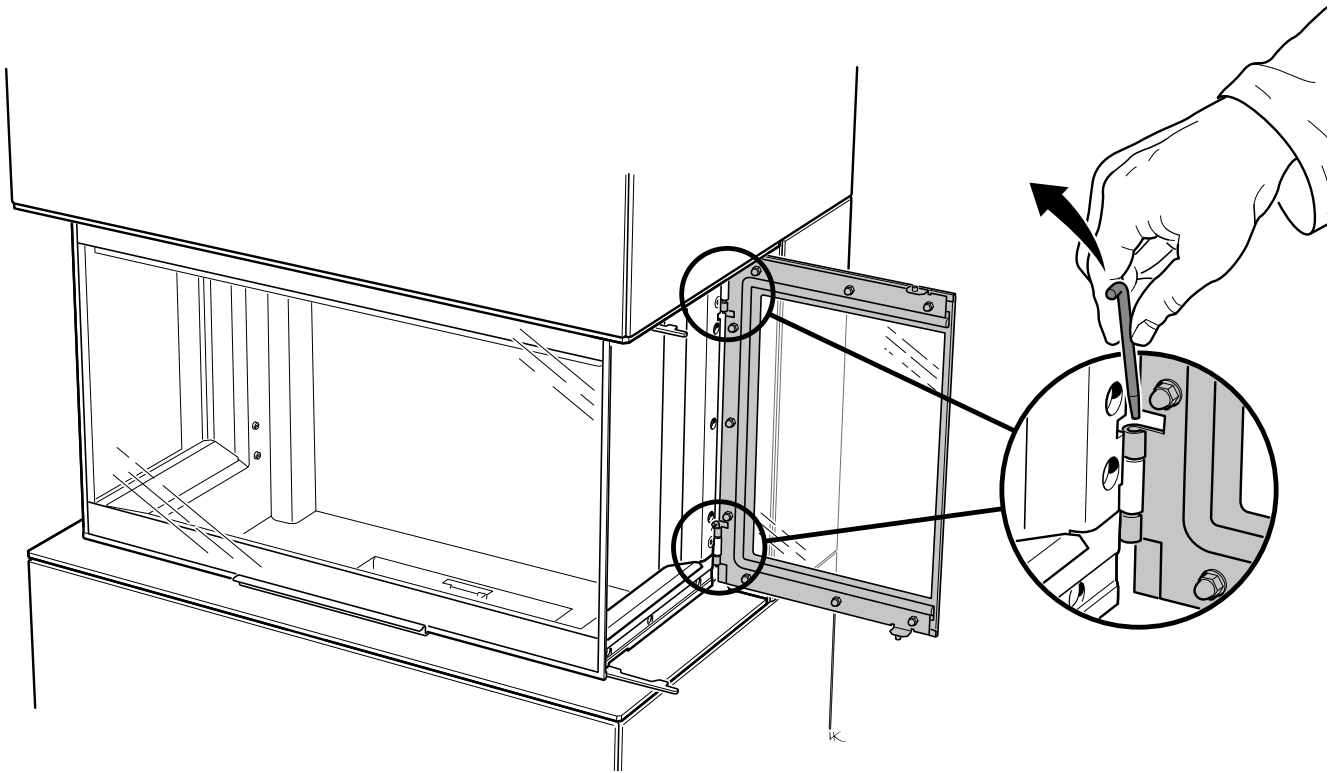
## Table of contents

1. Replace side glass	60
2. Replace front glass	62
3. Replace gasket door	64
4. Replace gasket back	70
5. Replace door	72
6. Replace Guillotine mechanism	75

- 1 Replace side glass: Use only manufactured parts.  
See replacement parts list for glass replacement.

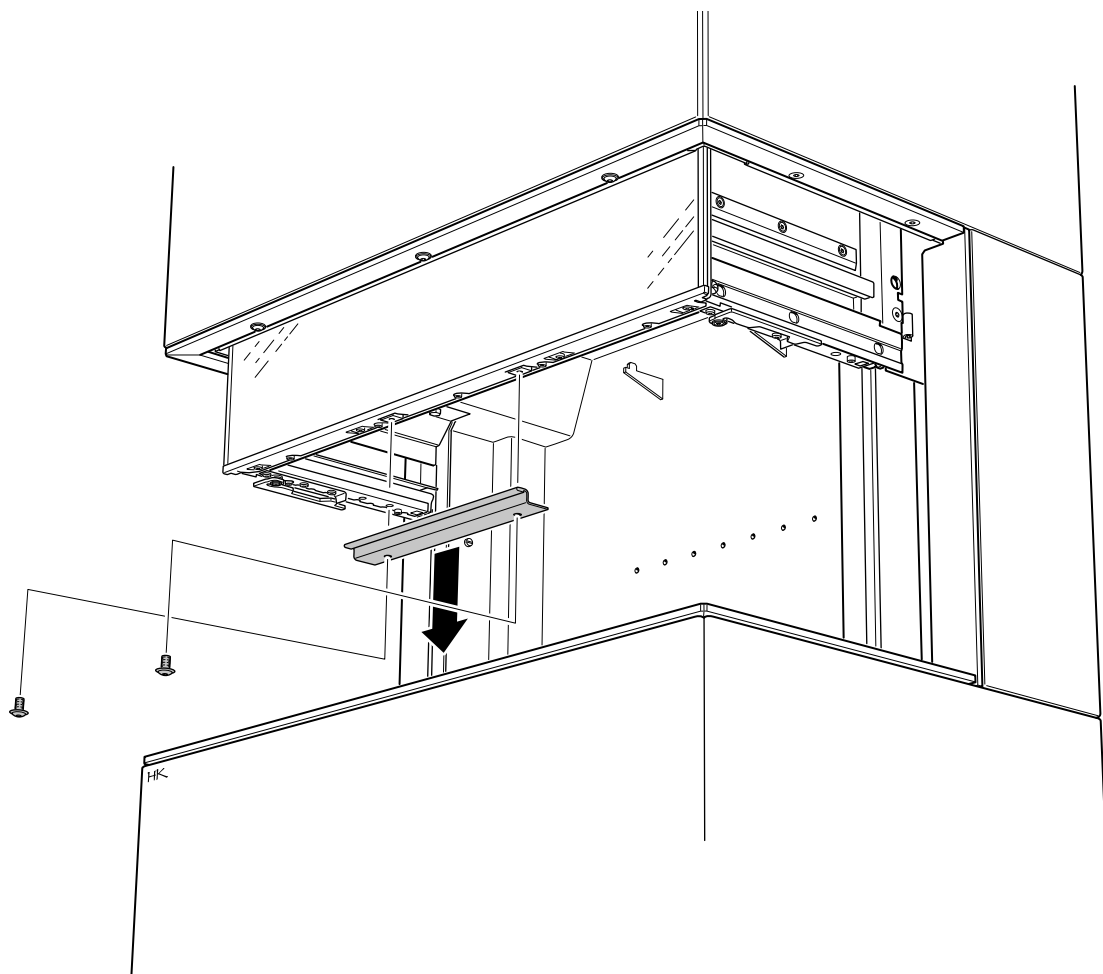


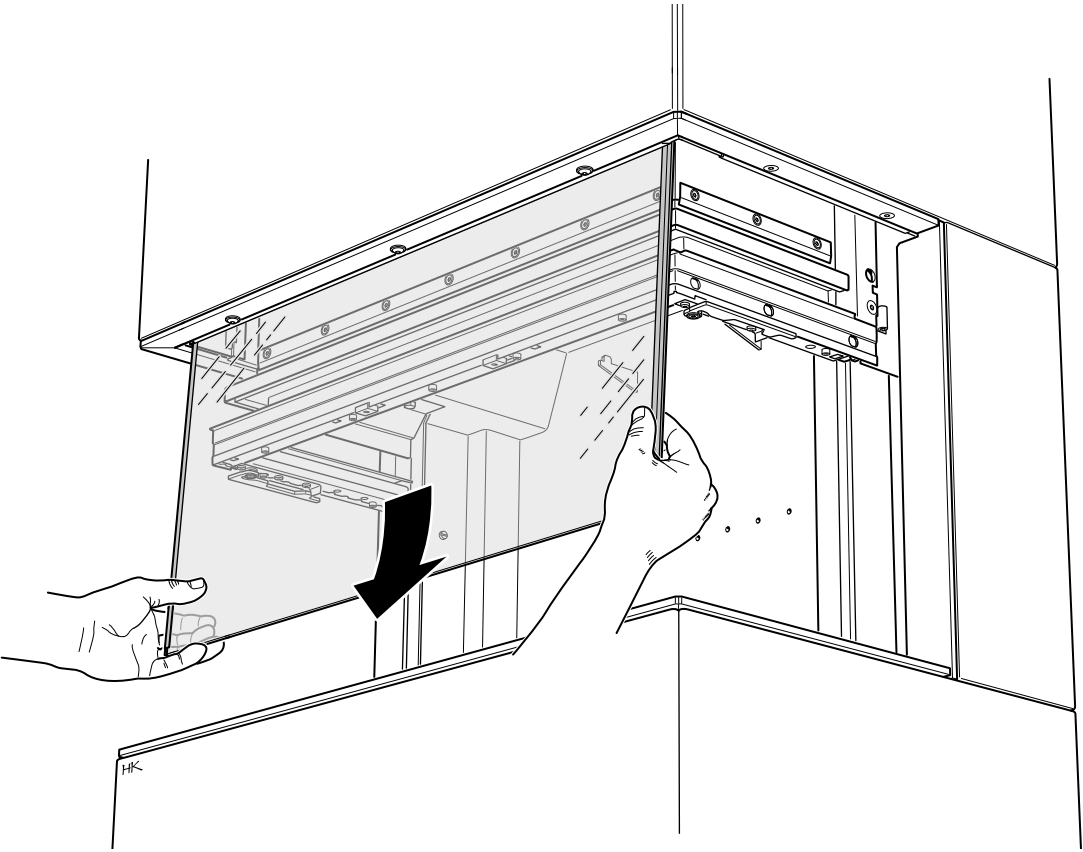
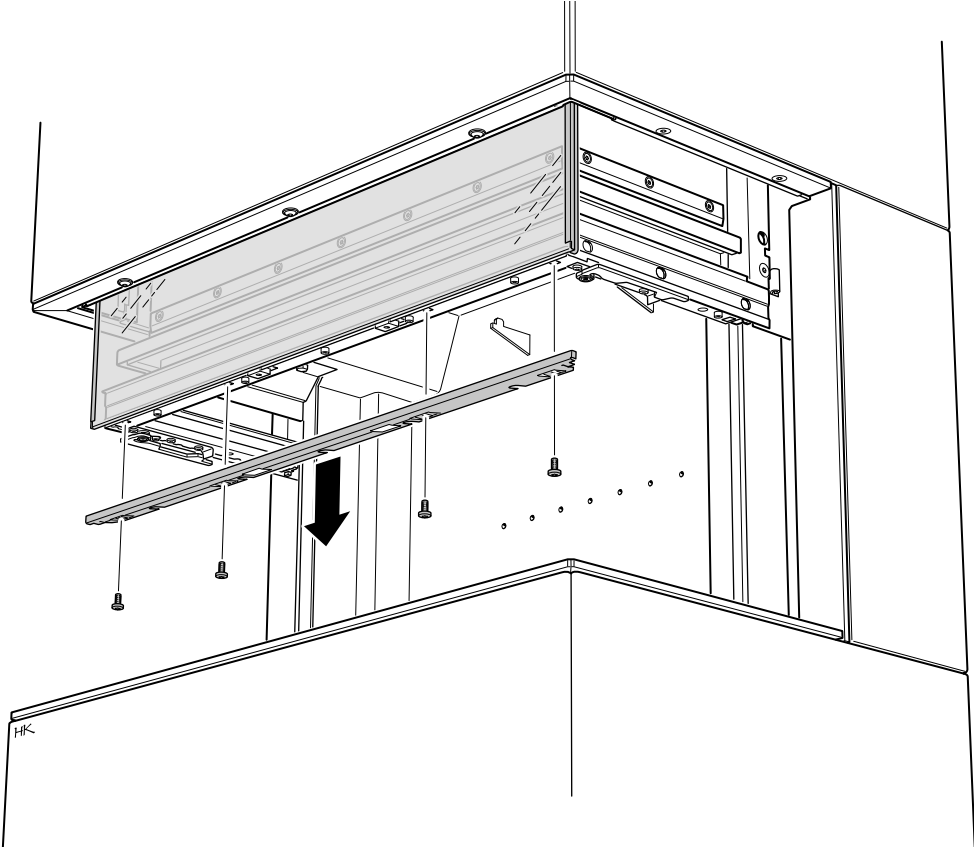
**NOTE:** All glass is 4mm--Neoceramic glass.



2 Replace front glass

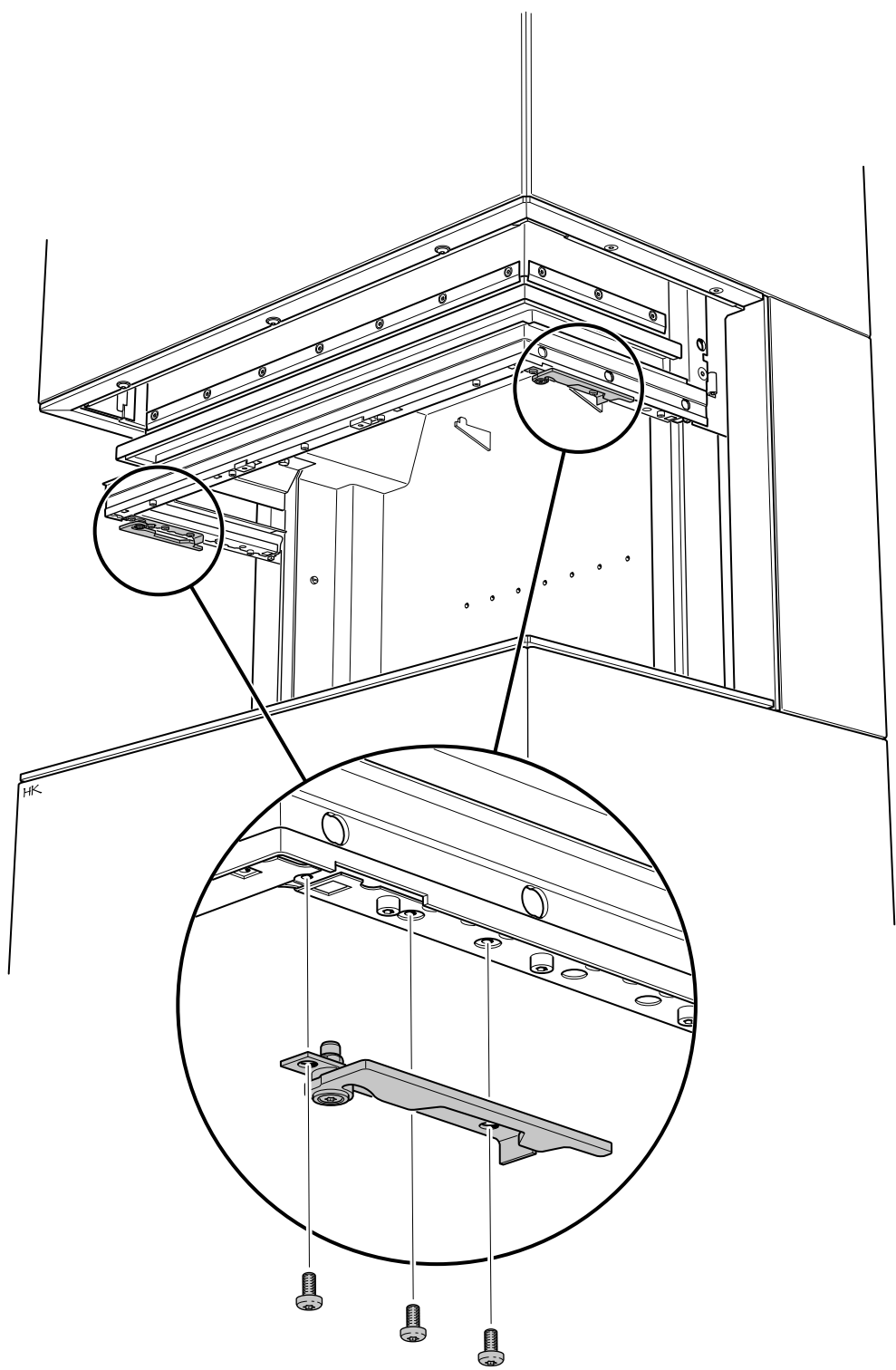
First: 1 Remove side glass

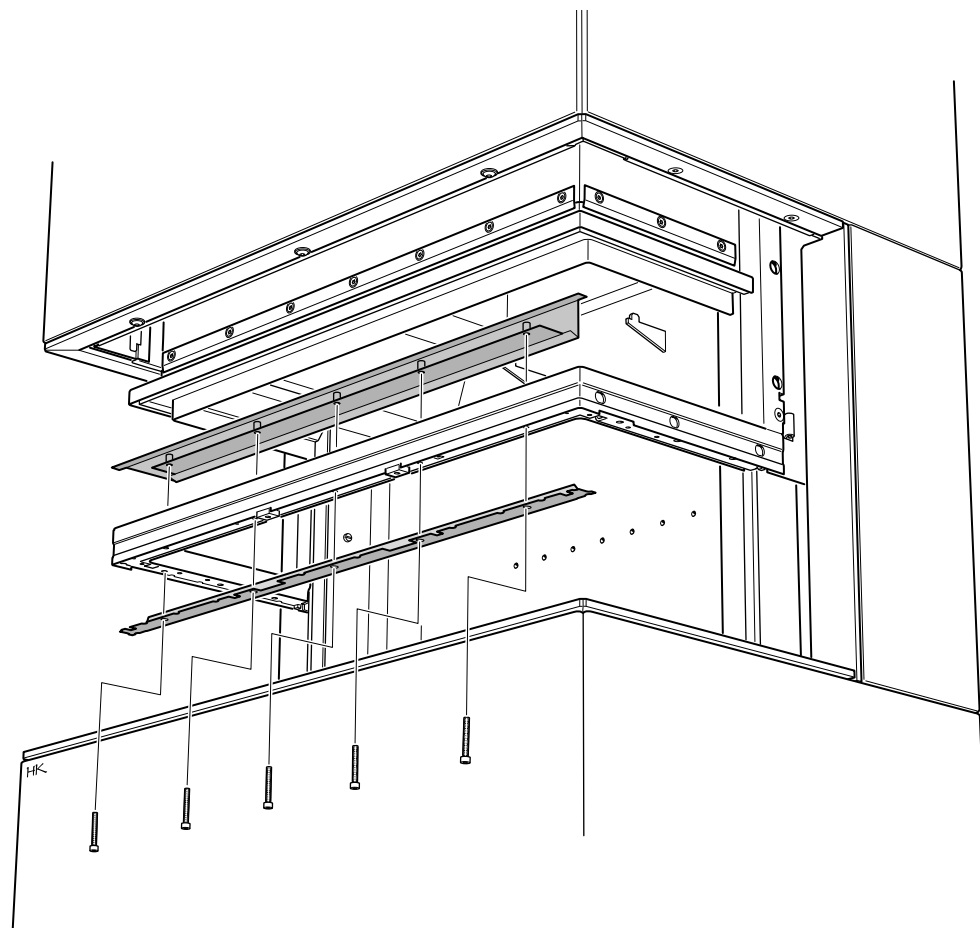
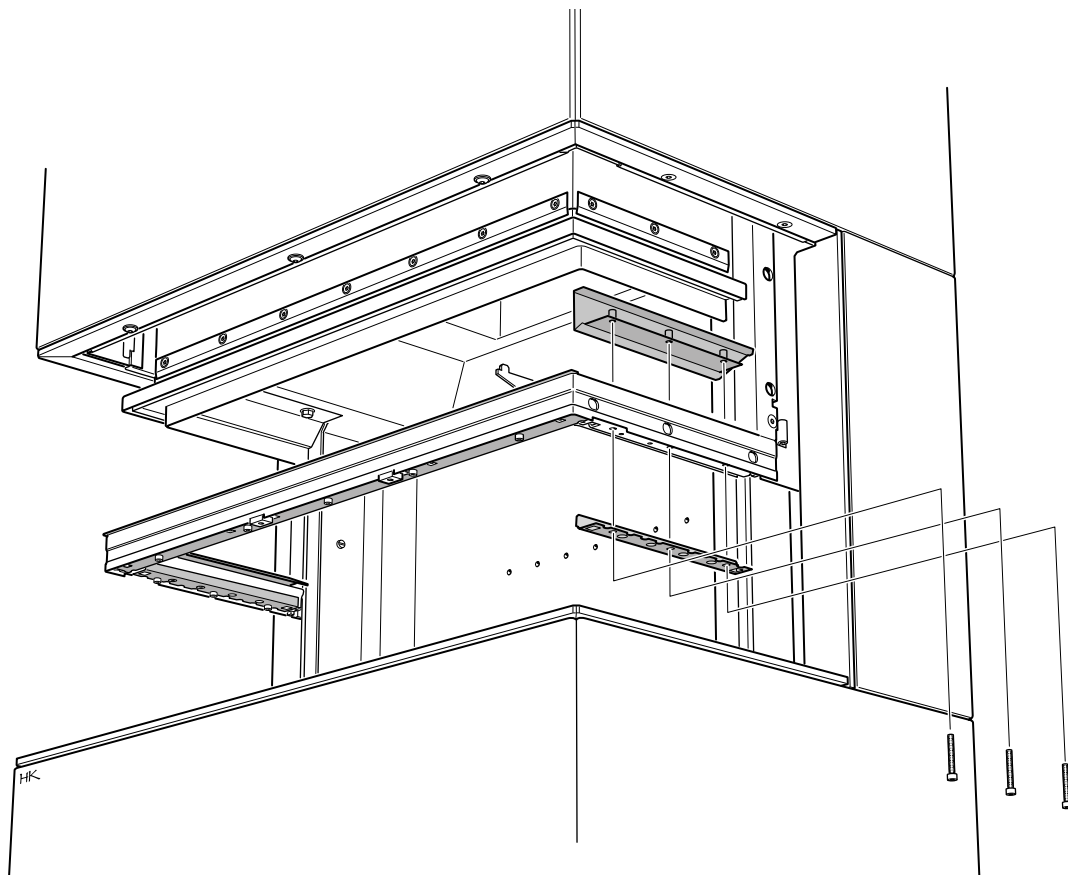


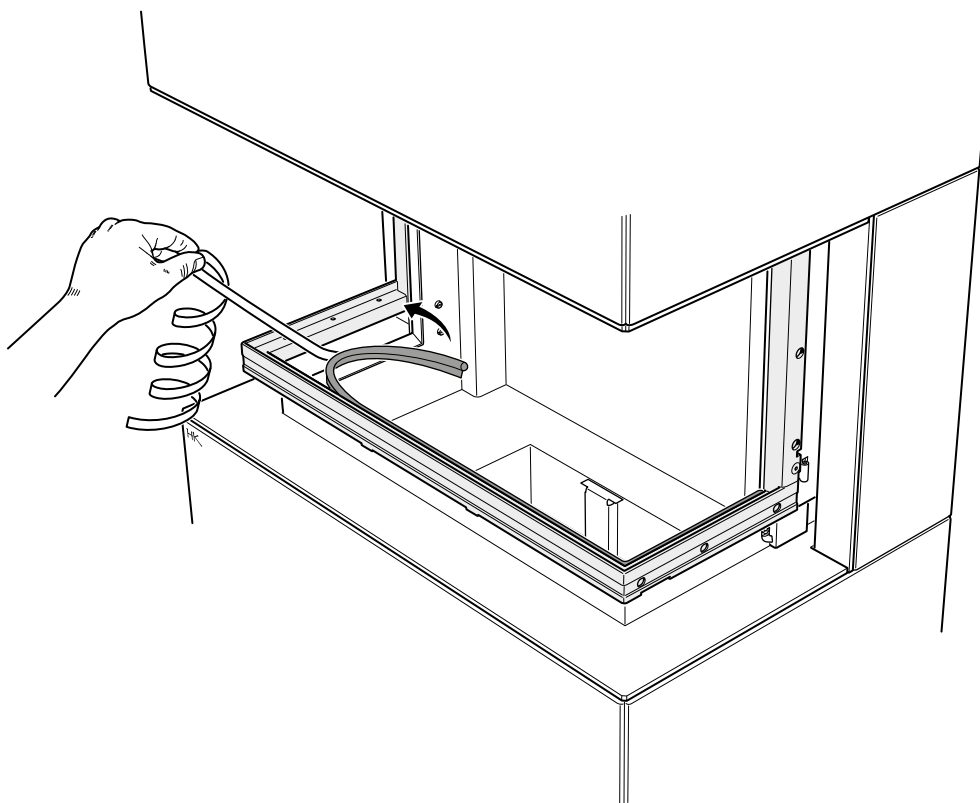
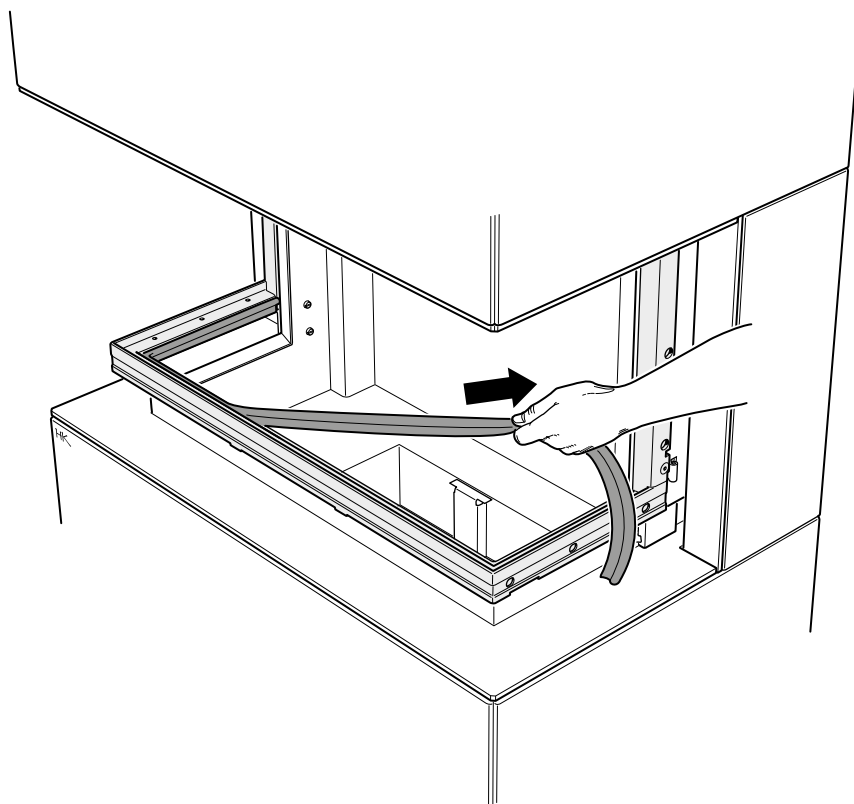


**3** Replace gasket door

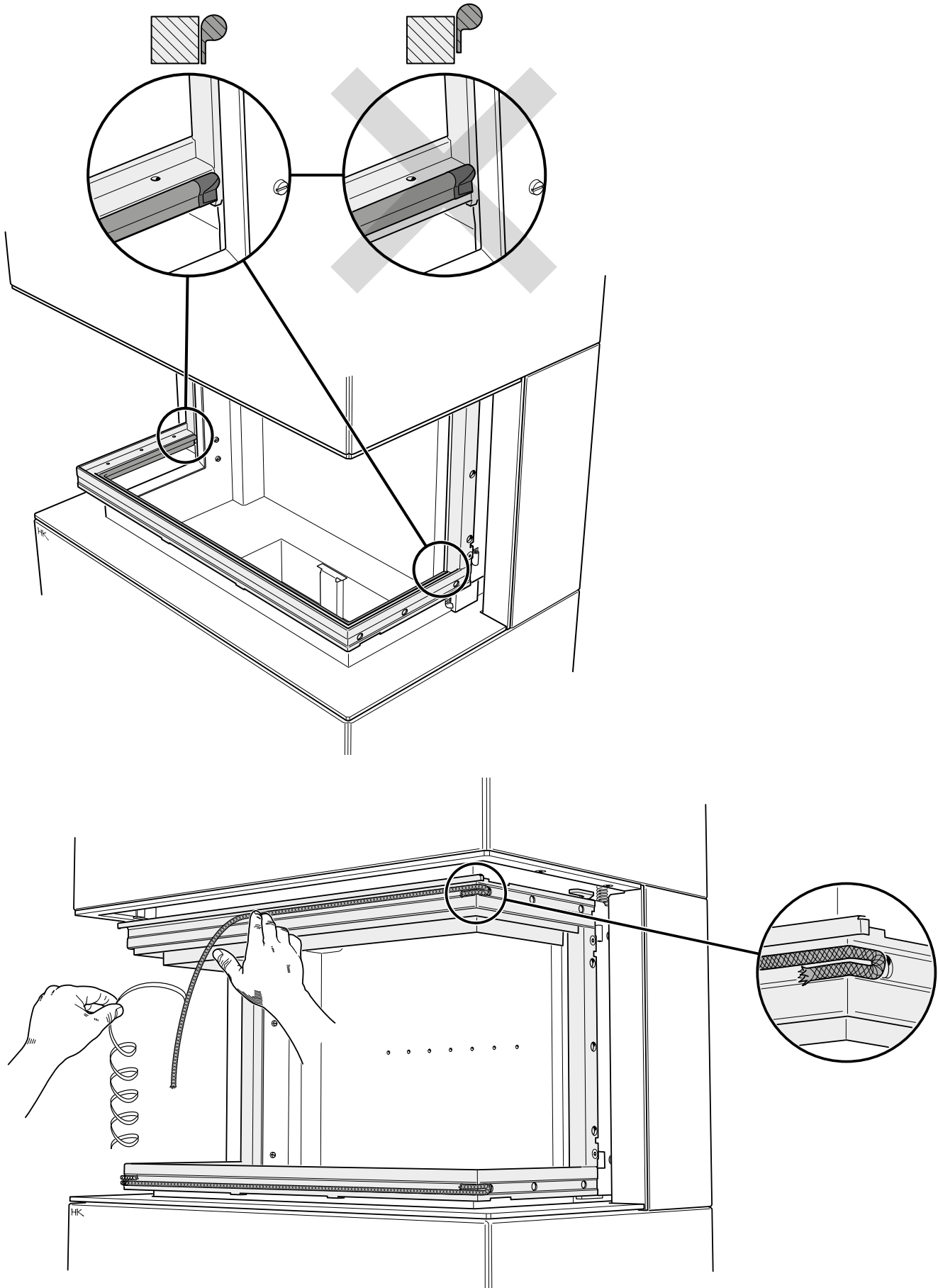
- First: **1** Remove side glass  
**2** Remove front glass



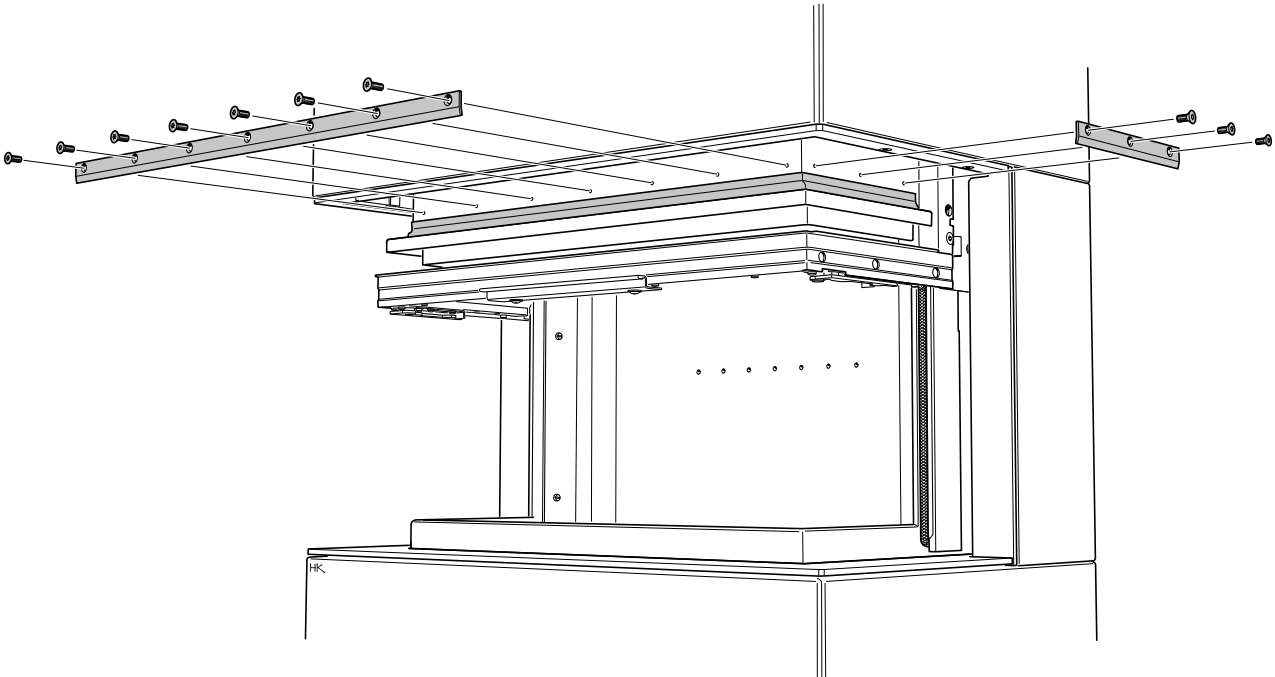
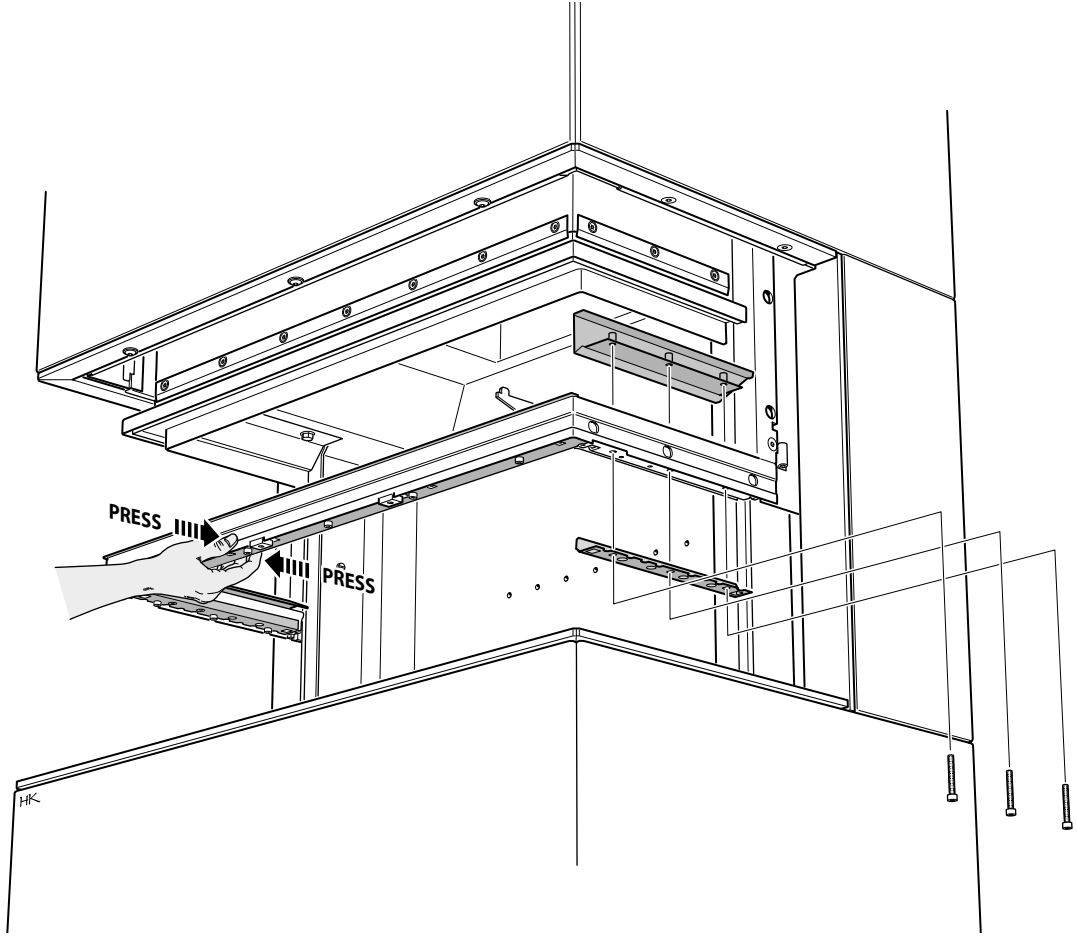


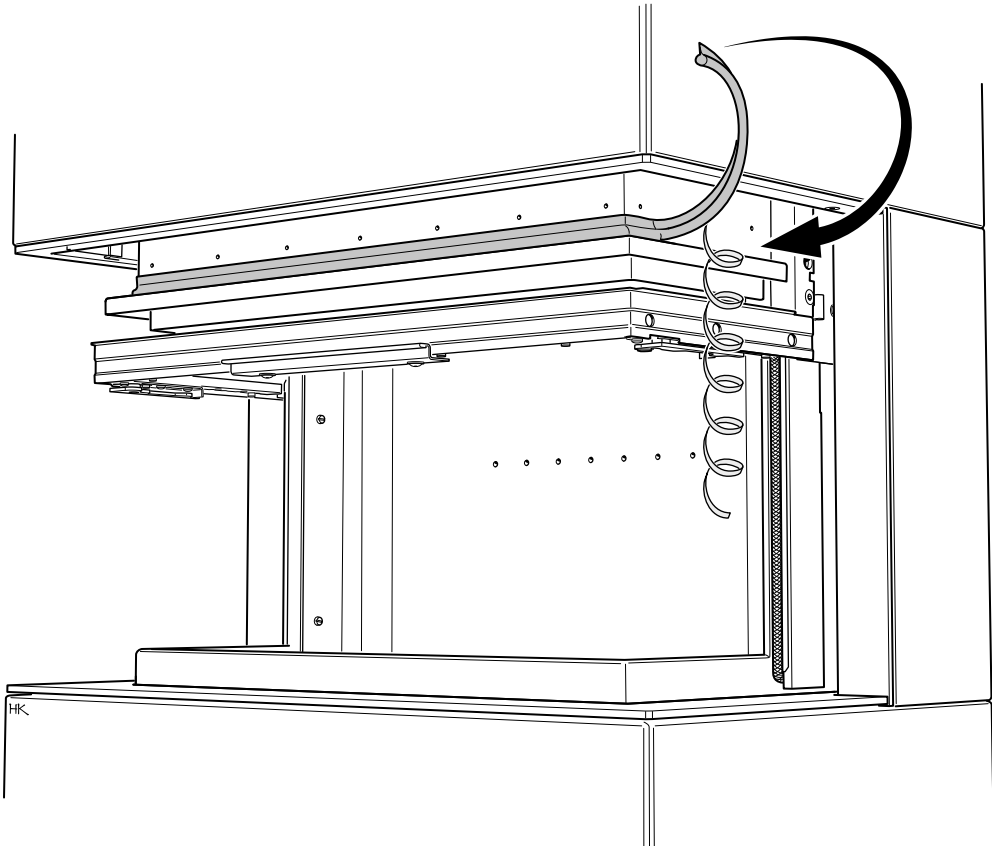
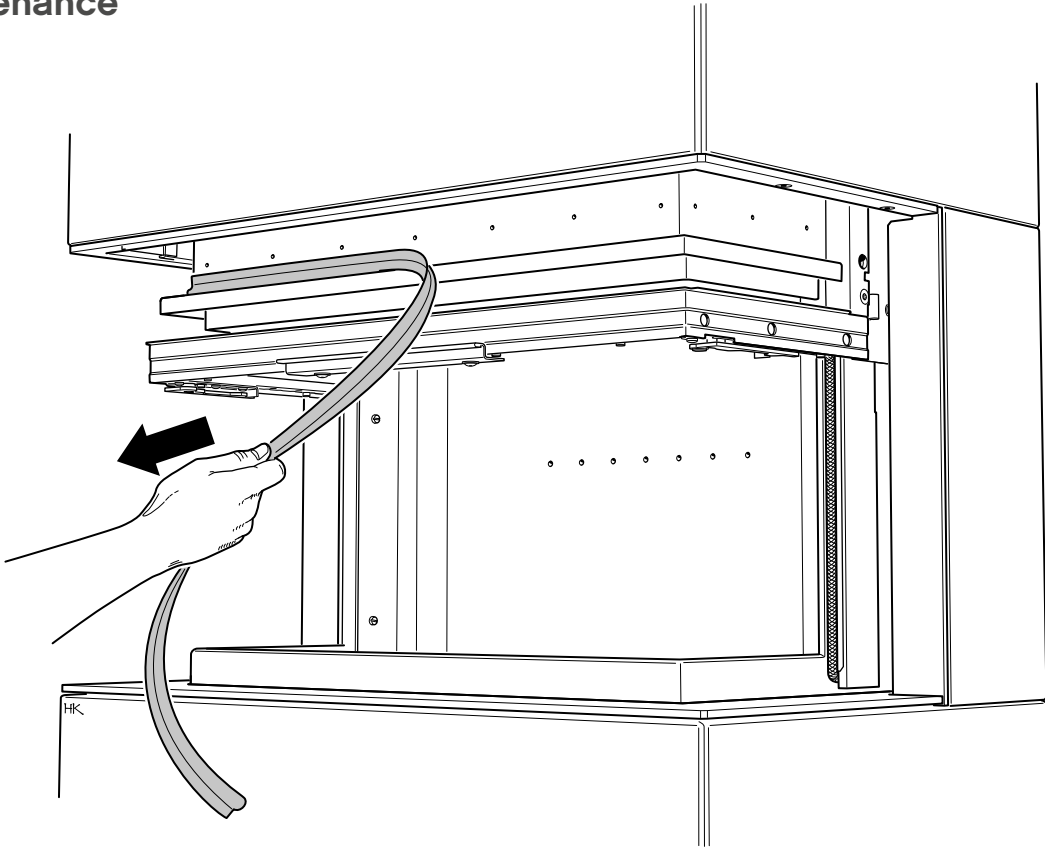


maintenance

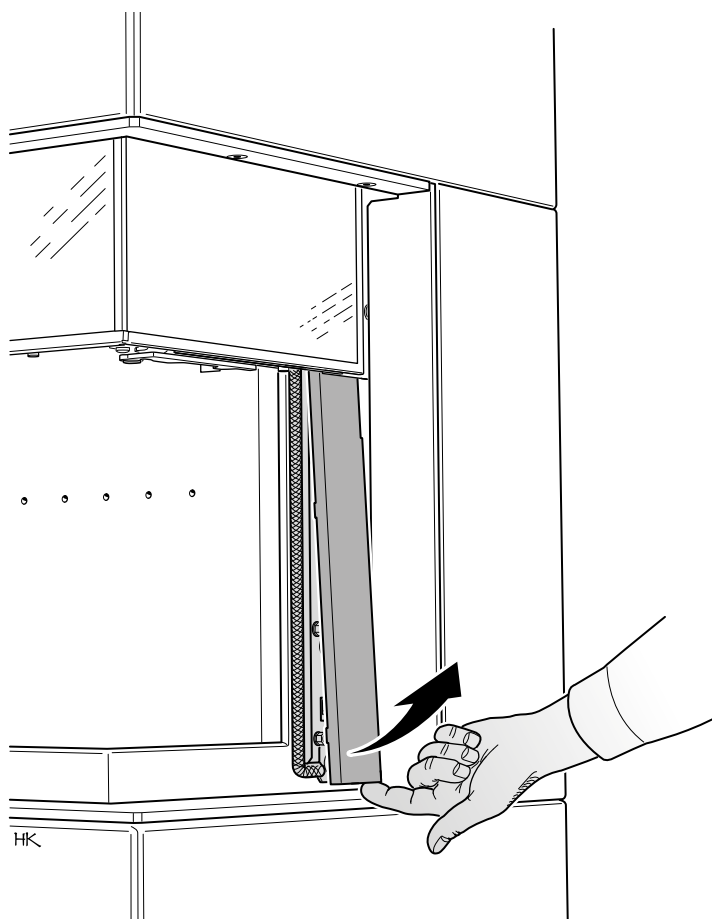
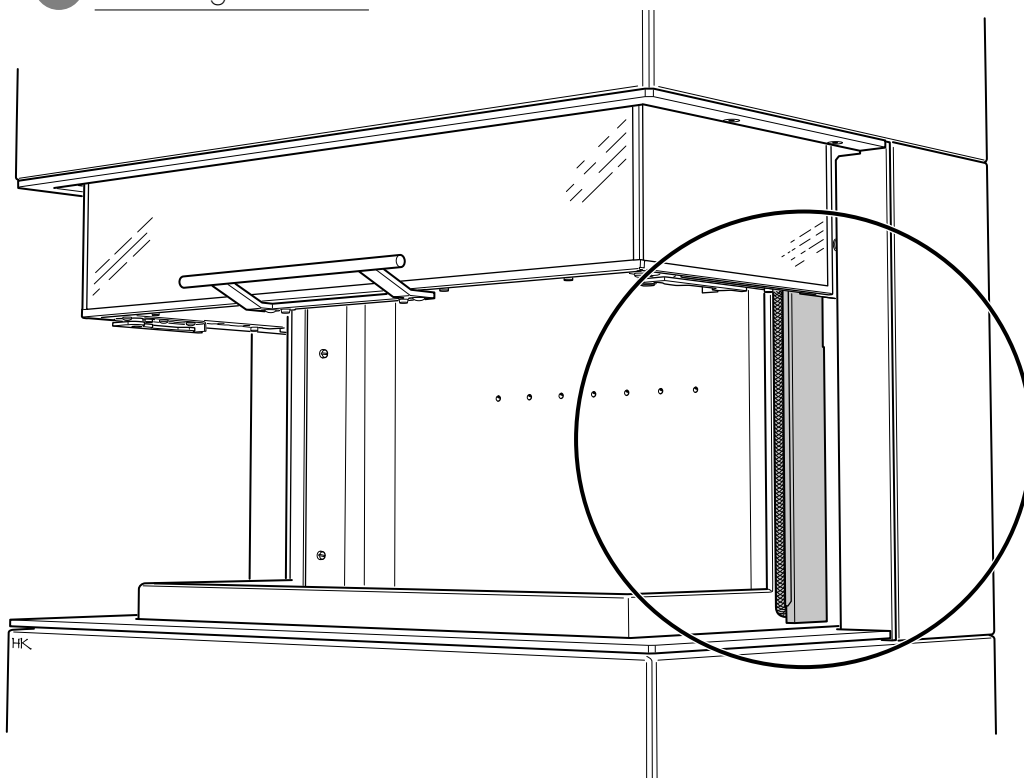




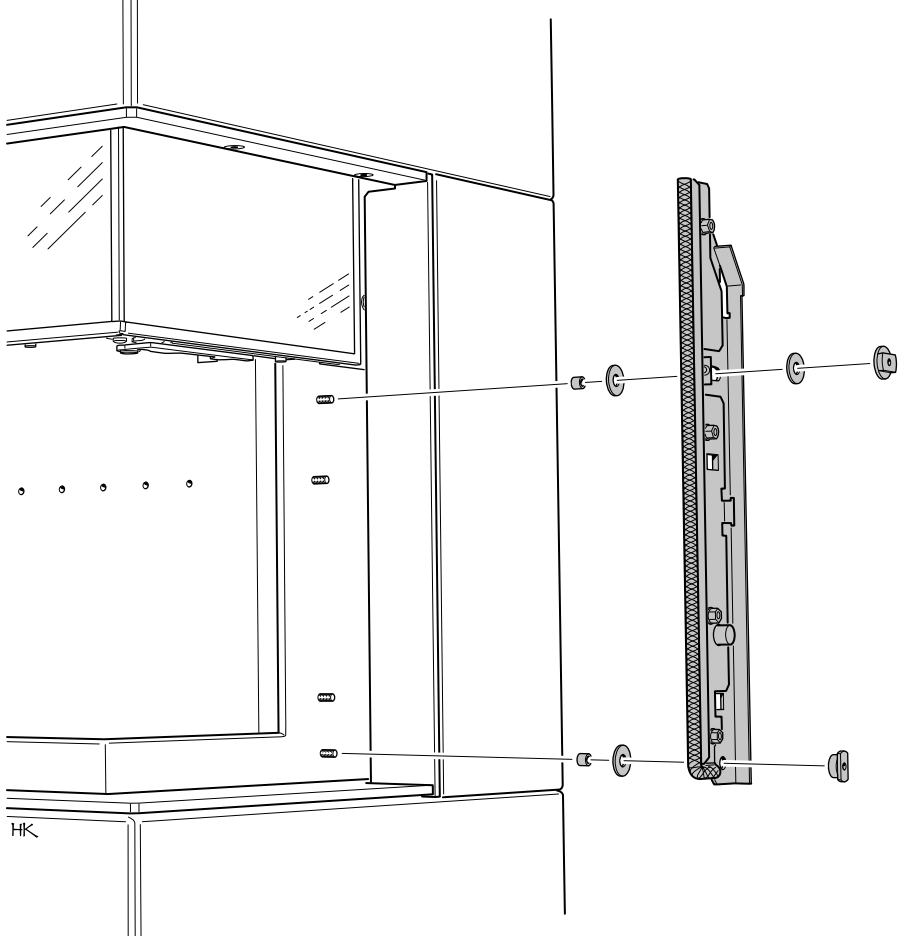
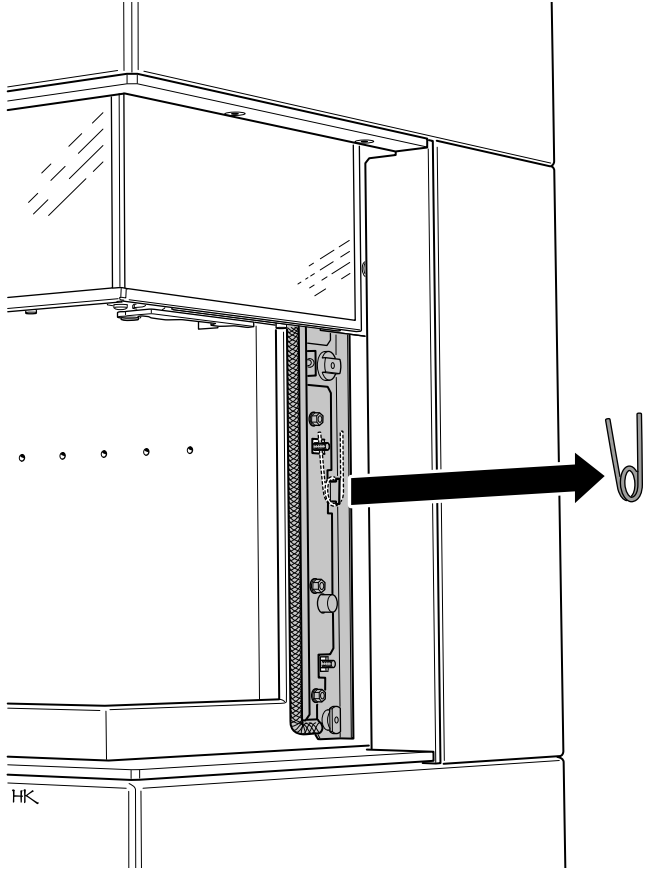




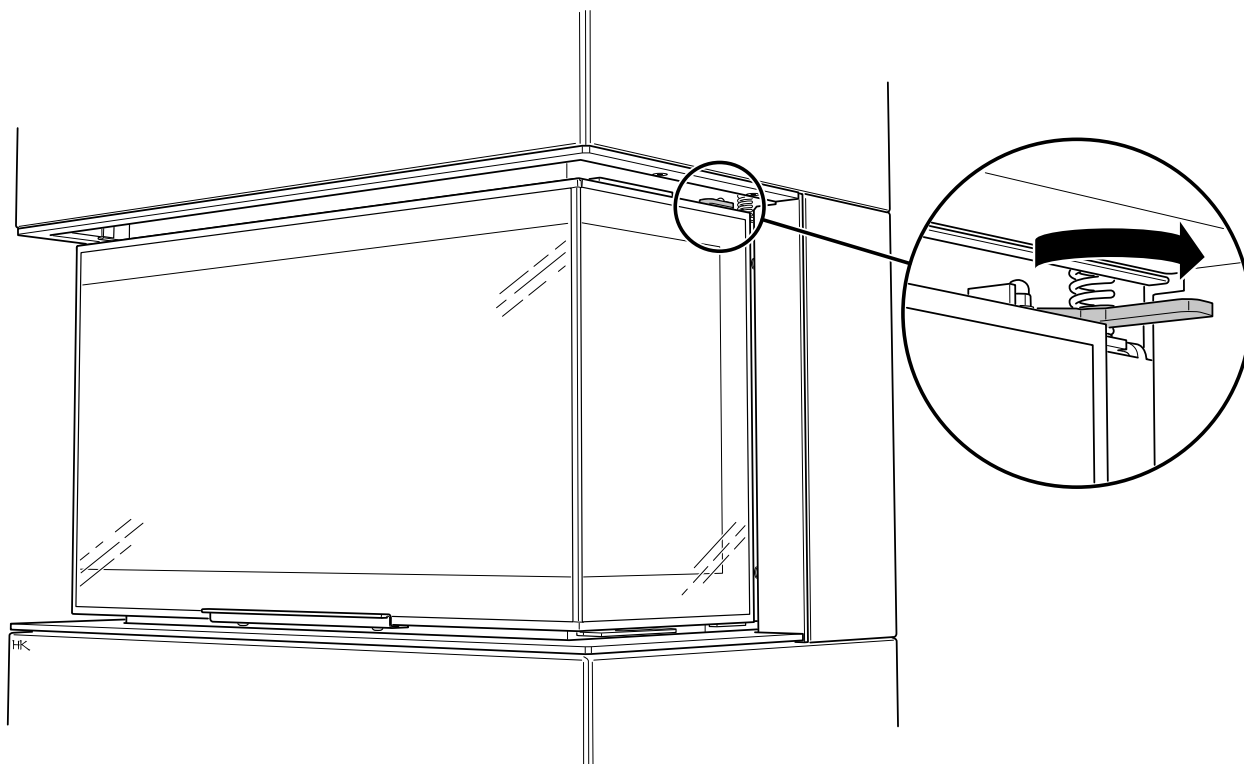
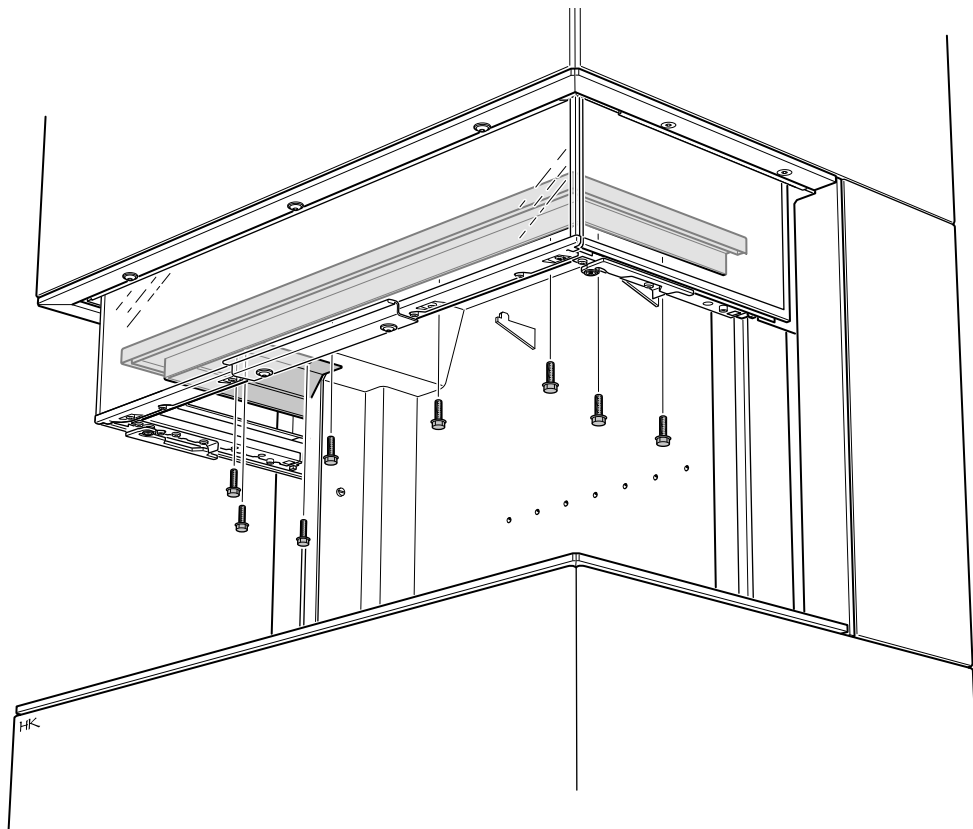
4 Remove gasket back



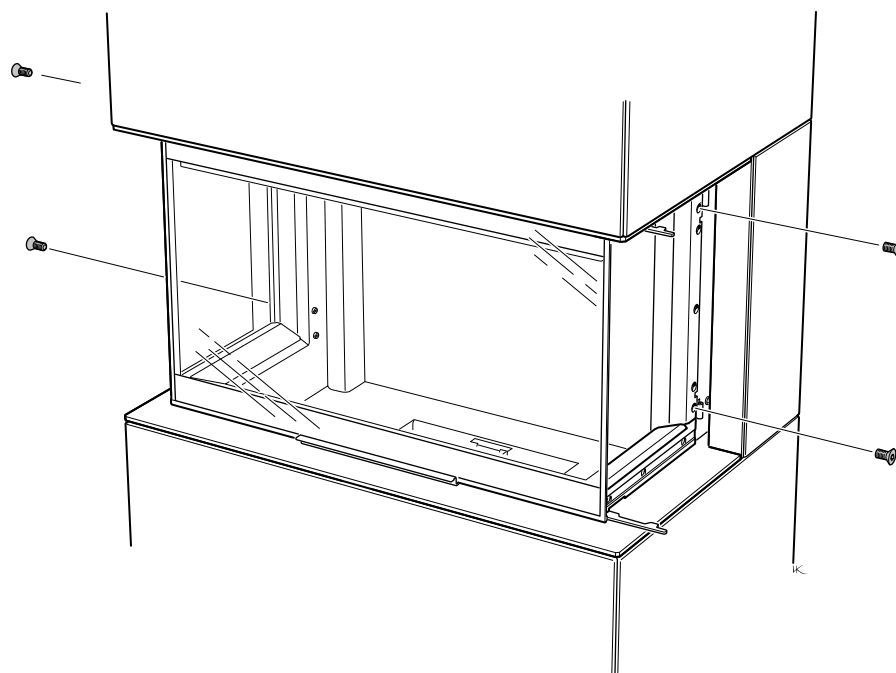
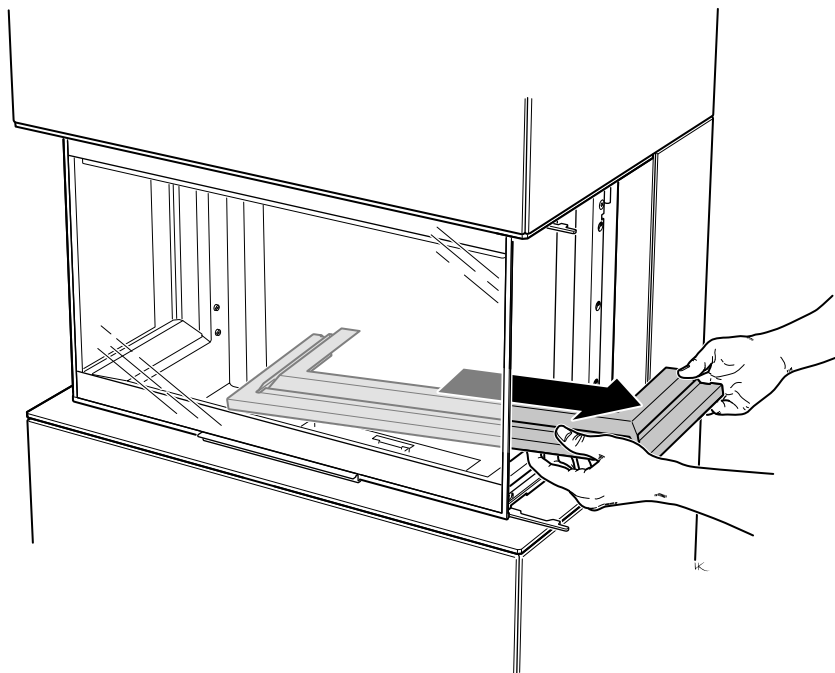
# maintenance

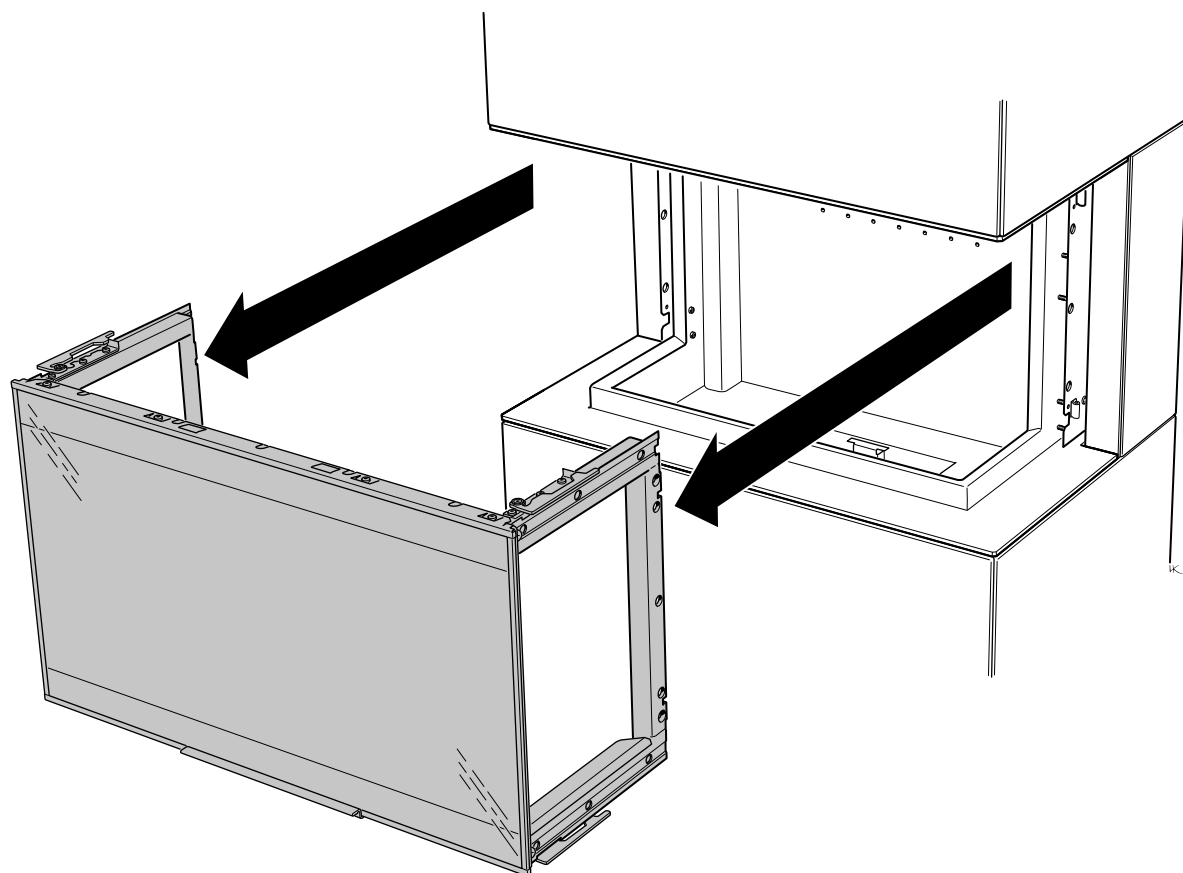


5 Remove door



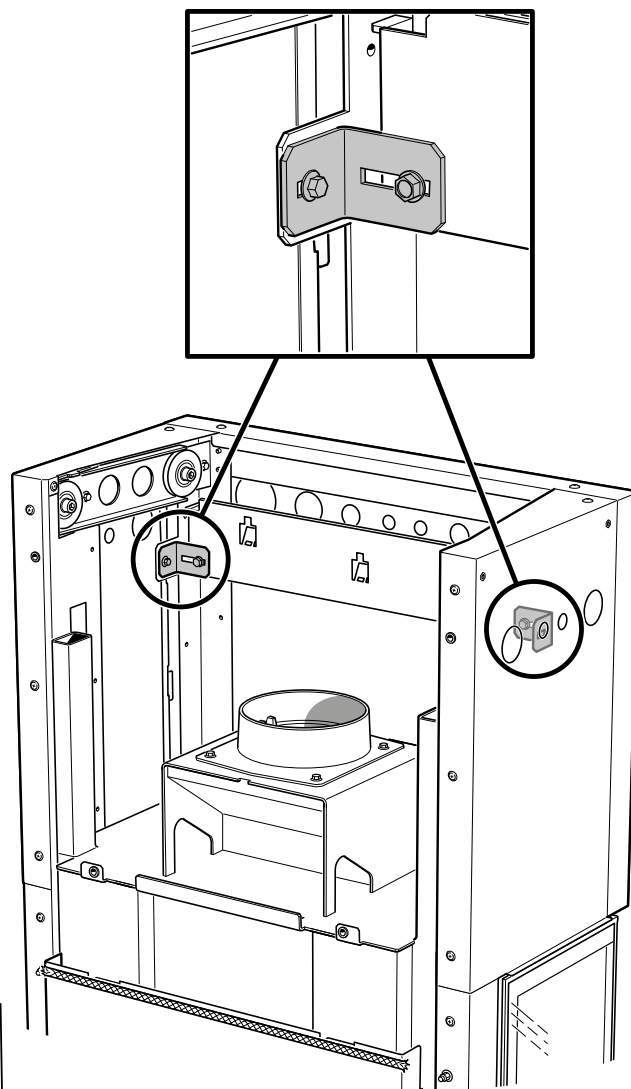
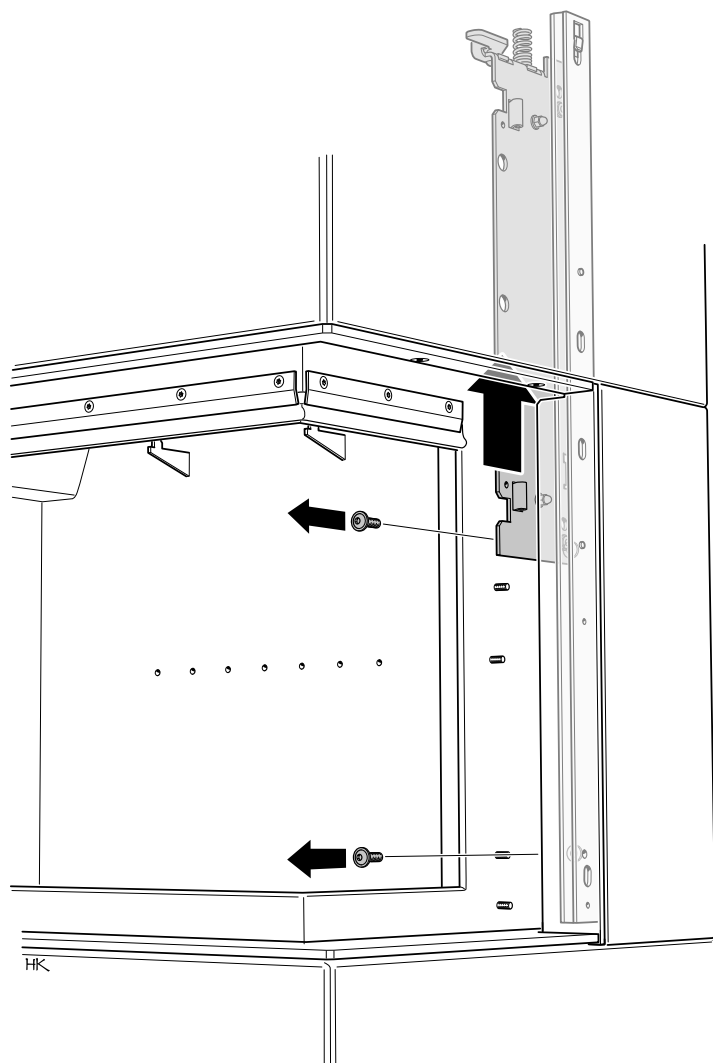
maintenance



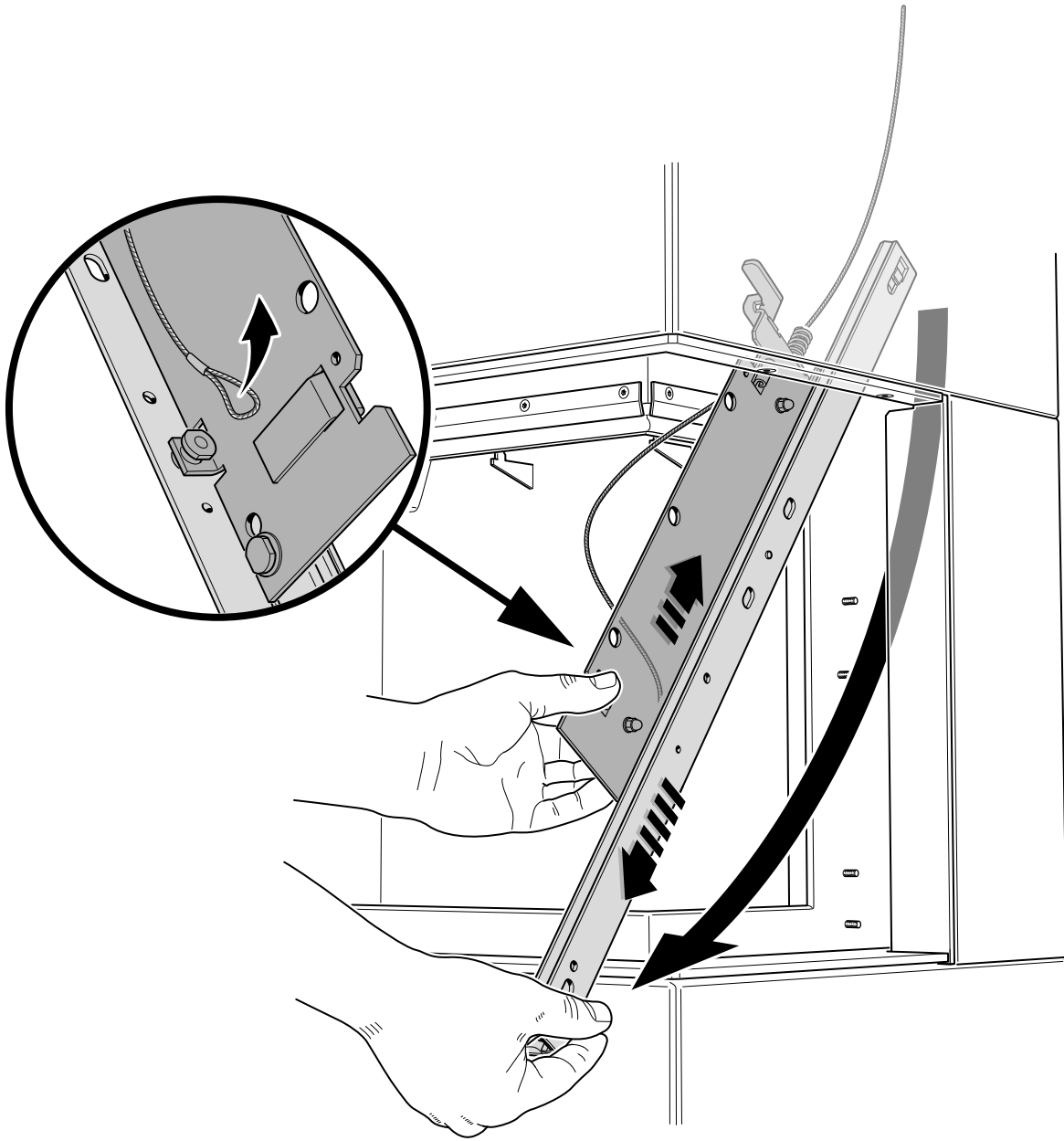


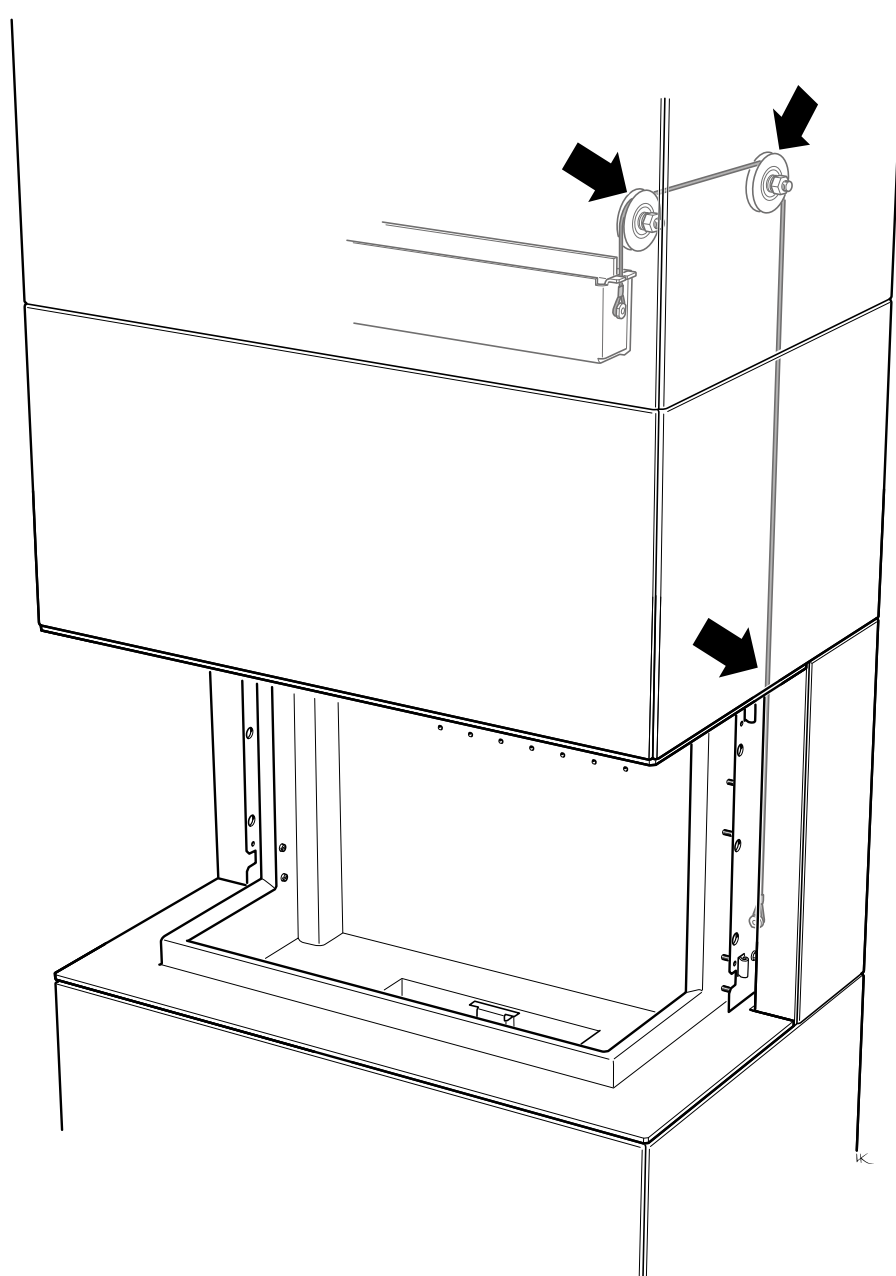
6 Replace Guillotine mechanism

- First:
- 1 Remove side glass
  - 4 Remove gasket back
  - 5 Remove door



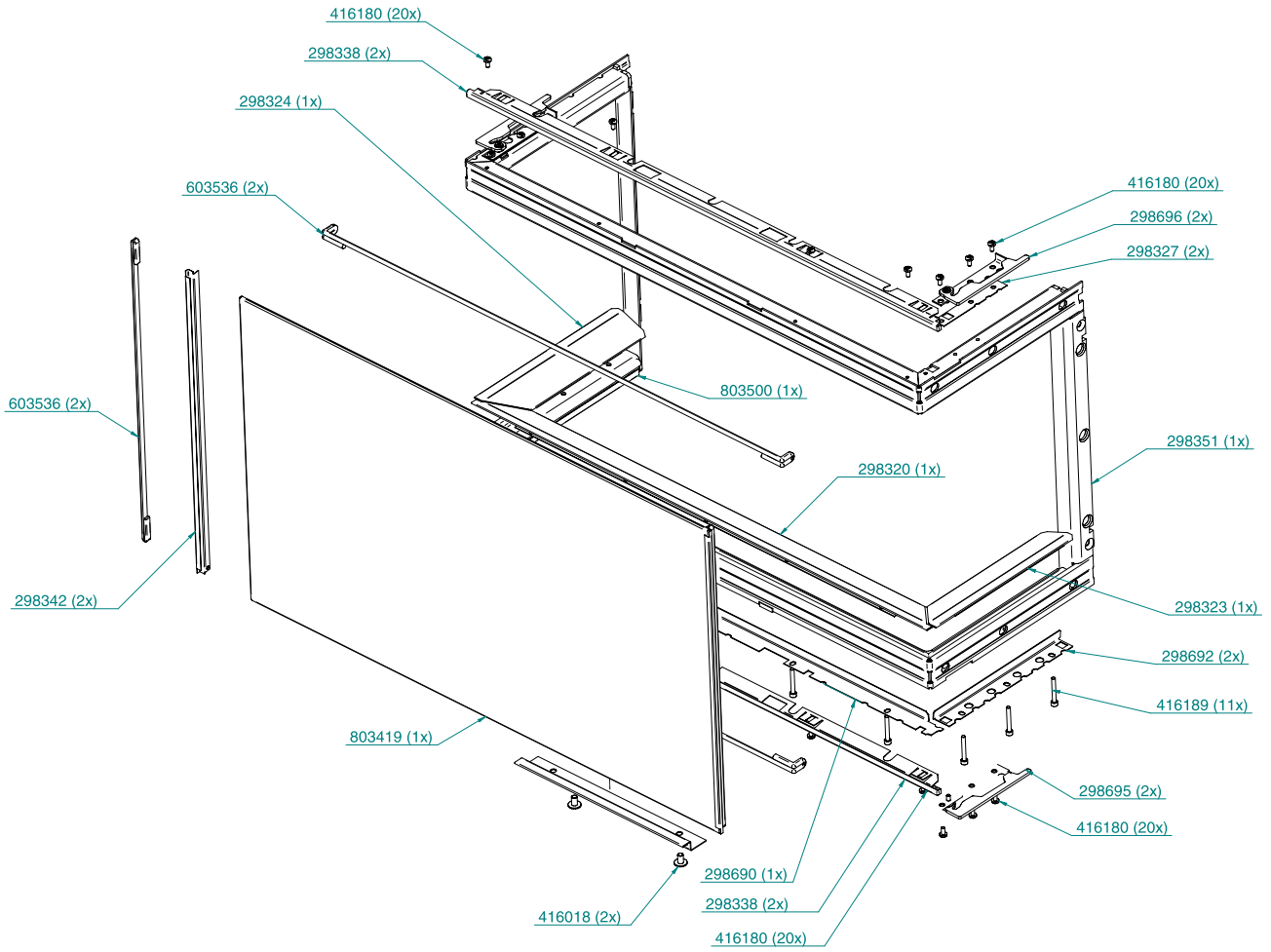






# Replacement parts

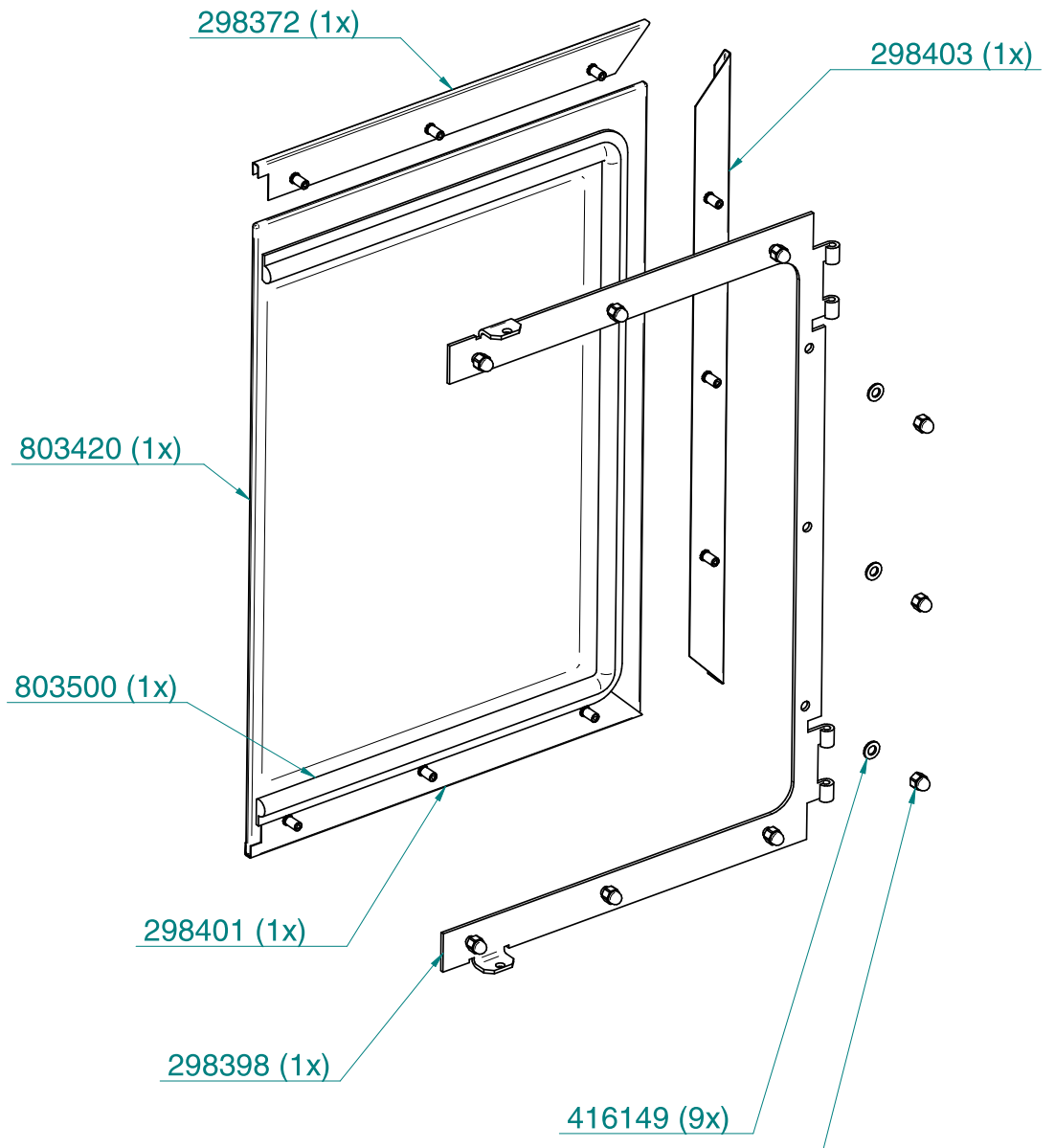
391697 Assembled Door (Spare part number)



parts list

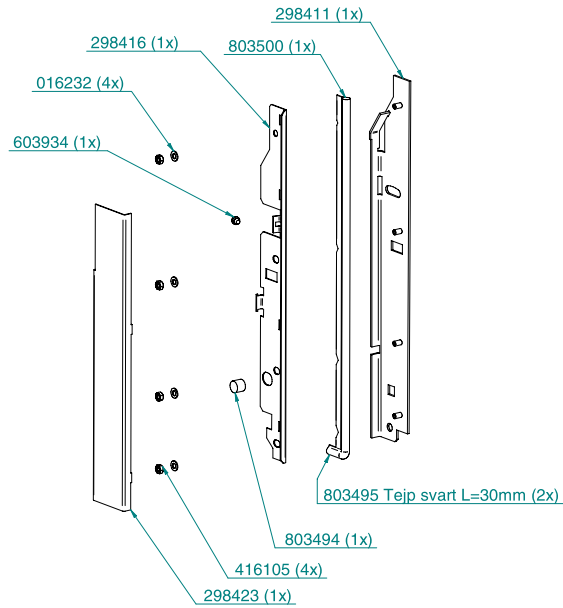
Replacement parts

391585 Assembled Side door (Left or Right)  
(Spare part number)

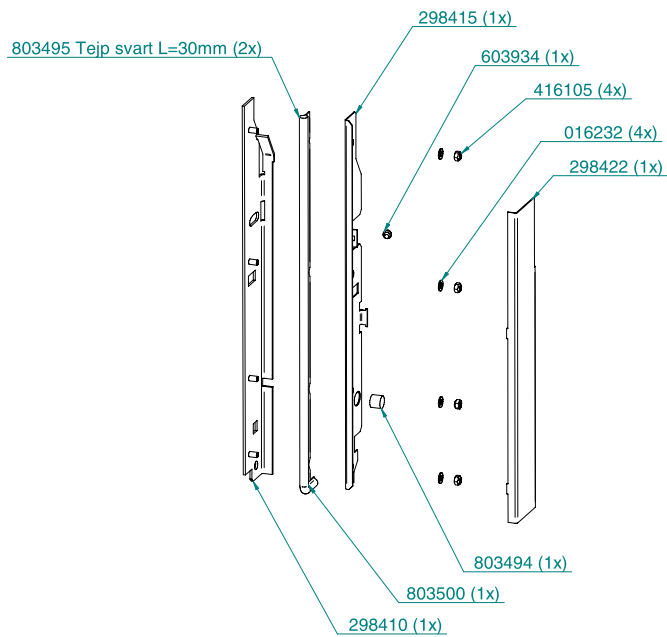


# Replacement parts

391583 Assembled Side Box (right or left)  
(Spare part number)



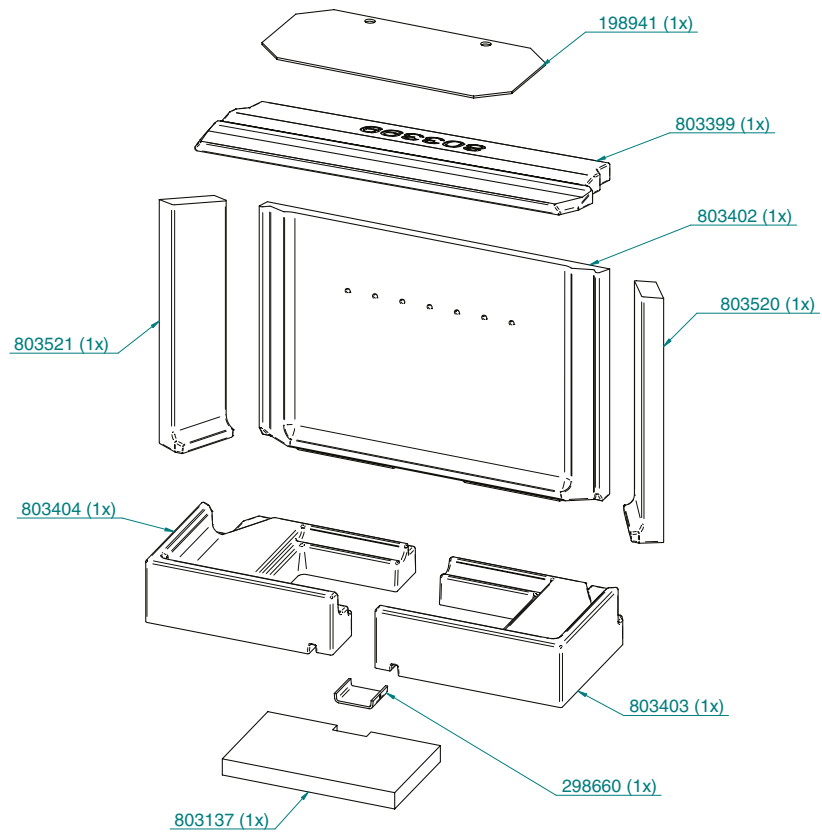
391583 Assembled Side Box (right or left)  
(Spare part number)



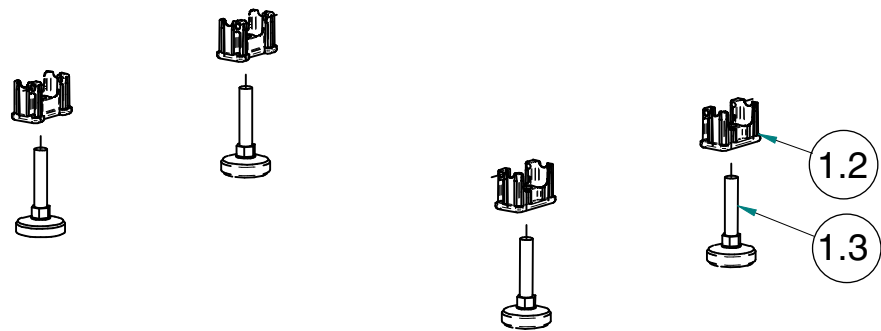
# parts list

## Replacement parts

803400 Thermotte set  
(Spare part number)

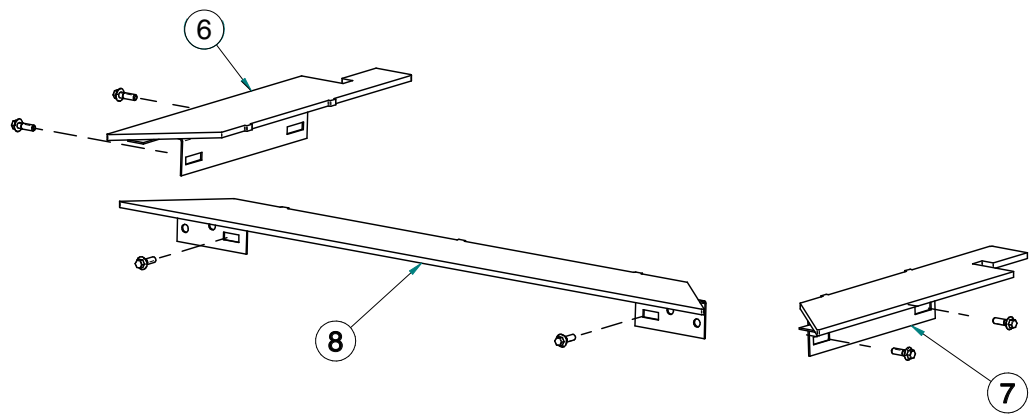


- 1.2 O36305 Insert Foot
- 1.3 434719 Adjustable Foot

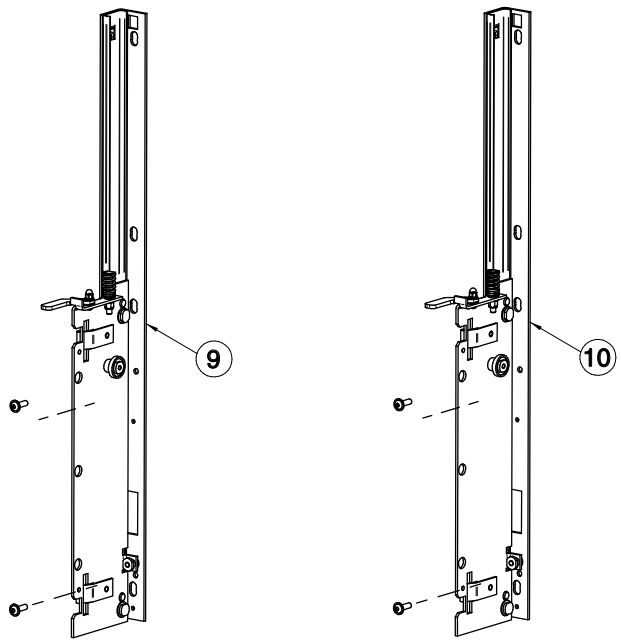


# parts list

- 6 298491 Shelf Left
- 7 298490 Shelf Right
- 8 398834 Shelf Front

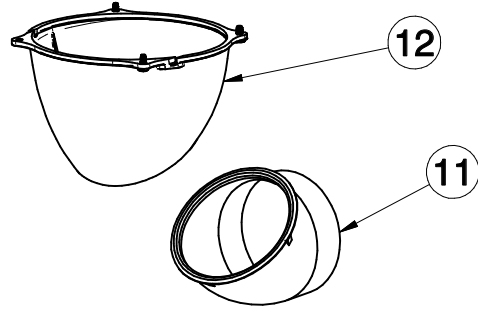


- 9 298965 Door Rail Right
- 10 298966 Door Rail Left

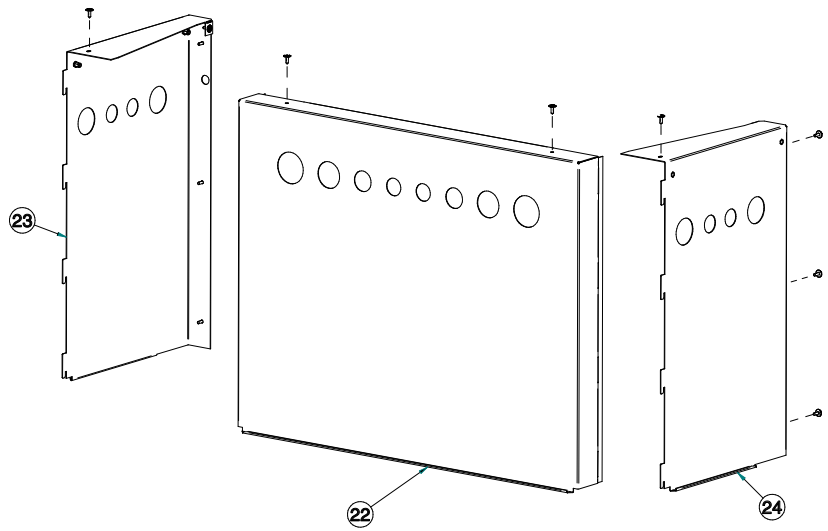


# parts list

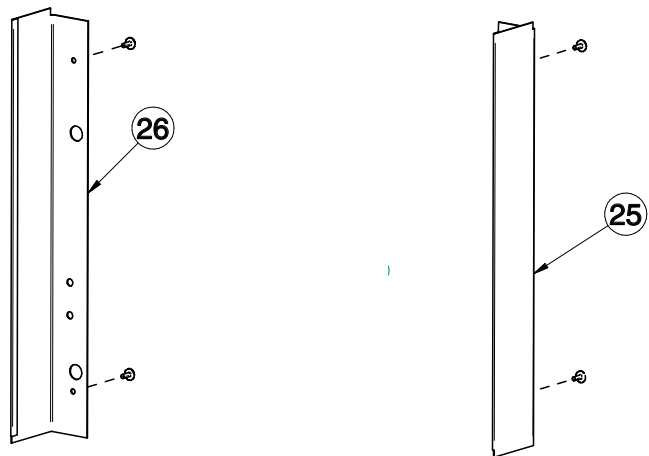
- 11 603135 Plastic Air Hook Up Lower
- 12 803533 Plastic Air Hook Up Upper



- 22 298635 Hood Front
- 23 298638 Hood Side Right
- 24 298639 Hood Side Left

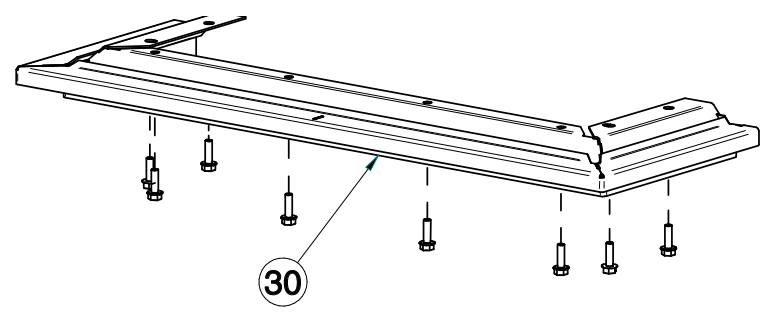


- 25 298641 Right Side Panel
- 26 298642 Left Side Panel

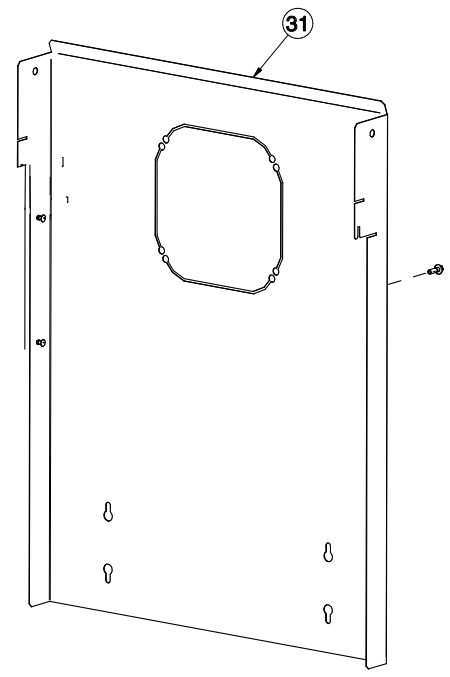




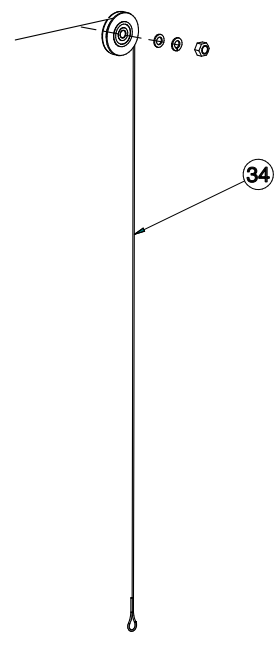
30 298670 Air flow panel



31 398929 Radiation Shield Back



34 603144 Wire Door Opening



# warranty

These conditions apply to the solid fuel Ri50 fireplace manufactured by NIBE AB under the Contura brand and distributed by FPI Fireplace Products International Ltd. (for Canadian customers) and Fireplace Products U.S., Inc. (for U.S. customers) (collectively referred to herein as “FPI”). FPI extends this Warranty to the original purchaser of this appliance provided the product remains in the original place of installation. The items covered by this warranty and the period of such coverage is set forth in the table below.

Some conditions apply (see below).

The policy is not transferable, amendable or negotiable under any circumstances.

Wood Products	Component Coverage			Labor Coverage
	5 years	3 years	1 year	Years
Welded Firebox Steel	✓			5
All Stainless Steel Components (ie. Ash drawer, etc)		✓		1
Door handle and all hardware		✓		1
Cast Iron Components		✓		1
Glass Thermal Breakage Only Glass and Sealing Strips		✓		1
Tempered Glass Top		✓		1
Surround		✓		1
Hearth Cladding (Firebrick)			✓	1
Vermiculite Components & Baffles			✓	1

**Conditions:**

Warranty protects against defect in manufacture or factory assembled components only, unless herein specified otherwise.

Any part(s) found to be defective during the warranty period as outlined above will be repaired or replaced at FPI’s option through an accredited distributor, dealer or pre-approved and assigned agent provided that the defective part is returned to the distributor, dealer or agent for inspection if requested by FPI. Alternatively, within the first 5 years of the installation done, FPI may at its own discretion, fully discharge all of its obligations under the warranty by refunding the verified purchase price of the product to the original purchaser. The purchase price must be confirmed by the original Bill of Sale.

**The authorized selling dealer, or an alternative authorized FPI dealer if pre-approved by FPI, is responsible for all in-field diagnosis and service work related to all warranty claims. FPI is not responsible for results or costs of workmanship of unauthorized FPI dealers or agents in the negligence of their service work.**

At all times FPI reserves the right to inspect reported complaints on location in the field claimed to be defective prior to processing or authorizing of any claim. Failure to allow this upon request will void the warranty.

All warranty claims must be submitted by the dealer servicing the claim, including a copy of the Bill of Sale (proof of purchase by you). All claims must be complete and provide full details as requested by FPI to receive consideration for evaluation. Incomplete claims may be rejected.

Replacement units and components are limited to one per warranty term.

All Local and National required codes must be met.

The installer is responsible to ensure the unit is operating as designed at the time of installation.

The original purchaser is responsible for annual maintenance of the unit, as outlined in the owner's manual. As outlined below, the warranty may be voided due to problems caused by lack of maintenance.

Repair/replacement parts purchased by the consumer from FPI after the original coverage has expired on the unit will carry a 90 day warranty, valid with a receipt only. Any item shown to be defective will be repaired or replaced at the discretion of FPI. No labor coverage is included with these parts

**Exclusions:**

This Warranty does not extend to paint, rust, corrosion or damages of any kind due to a lack of maintenance or improper venting, combustion air provision, corrosive chemicals (i.e. chlorine, salt, air, etc.), firebrick (rear, sides or bottom), door or glass gasketing, or any other additional factory fitted gasketing.

Malfunction, damage or performance based issues as a result of environmental conditions, location, chemical damages, downdrafts, installation error, installation by an unqualified installer, incorrect chimney components (including but not limited to cap size or type), operator error, abuse, misuse, use of improper fuels (such as unseasoned cordwood, mill-ends, construction lumber or debris, off-cuts, treated or painted lumber, metal or foil, plastics, garbage, solvents, cardboard, coal or coal products, oil based products, waxed cartons, compressed pre-manufactured logs), lack of regular maintenance and upkeep, acts of God, weather related problems from hurricanes, tornados, earthquakes, floods, lightning strikes/bolts or acts of terrorism or war, which result in malfunction of the appliance are not covered under the terms of this Warranty.

FPI has no obligation to enhance or modify any unit once manufactured (i.e. as products evolve, field modifications or upgrades will not be performed on existing appliances).

This warranty does not cover dealer travel costs for diagnostic or service work. All labor rates paid to authorized dealers are subsidized, pre-determined rates. Dealers may charge homeowner for travel and additional time beyond their subsidy.

Any unit showing signs of neglect or misuse will not be covered under the terms of this warranty policy and may void this warranty. This includes units with rusted or corroded fireboxes which have not been reported as rusted or corroded within three (3) months of installation/purchase.

Units which show evidence of being operated while damaged, or with problems known to the purchaser and causing further damages will void this warranty.

Units where the serial no. has been altered, deleted, removed or made illegible will void this warranty.

Minor movement, expansion and contraction of the steel is normal and is not covered under the terms of this warranty.

Freight damages for products or parts are not covered under the terms of the warranty.

Products made or provided by other manufacturers and used in conjunction with the appliance without prior authorization from FPI may void this warranty.

# warranty

## Limitations of Liability:

The original purchaser's exclusive remedy under this warranty, and FPI's sole obligation under this warranty, express or implied, in contract or in tort, shall be limited to replacement, repair, or refund, as outlined above. IN NO EVENT WILL FPI BE LIABLE UNDER THIS WARRANTY FOR ANY INCIDENTAL OR CONSEQUENTIAL COMMERCIAL DAMAGES OR DAMAGES TO PROPERTY. TO THE EXTENT PERMITTED BY APPLICABLE LAW, FPI MAKES NO EXPRESS WARRANTIES OTHER THAN THE WARRANTY SPECIFIED HEREIN. THE DURATION OF ANY IMPLIED WARRANTY IS LIMITED TO DURATION OF THE EXPRESSED WARRANTY SPECIFIED ABOVE. IF IMPLIED WARRANTIES CANNOT BE DISCLAIMED, THEN SUCH WARRANTIES ARE LIMITED IN DURATION TO THE DURATION OF THIS WARRANTY.

Some U.S. states do not allow limitations on how long an implied warranty lasts, or allow exclusion or limitation of incidental or consequential damages, so the above limitations or exclusions may not apply to you.

Customers located outside the U.S. should consult their local, provincial or national legal codes for additional terms which may be applicable to this warranty.

## How to Obtain Warranty Service:

Customers should contact the authorized selling dealer to obtain warranty service. In the event the authorized selling dealer is unable to provide warranty service, please contact FPI by mail at the address listed below. Please include a brief description of the problem and your address, email and telephone contact information. A representative will contact you to make arrangements for an inspection and/or warranty service.

### Canadian Warrantor:

**FPI Fireplace Products International Ltd.**  
6988 Venture St.  
Delta, British Columbia  
Canada, V4G 1H4

### U.S. Warrantor:

**Fireplace Products U.S., Inc.**  
PO Box 2189 PMB 125  
Blaine, WA  
United States, 98231

[customercare@regency-fire.com](mailto:customercare@regency-fire.com)

Or contact the Regency Customer Care Centre at 1-800-442-7432 (phone) / 604-946-4349 (fax)

## Product Registration and Customer Support:

Thank you for choosing a fireplace distributed by FPI. FPI strives to be a world leader in the design, manufacture, and marketing of hearth products. To provide the best support for your product, we request that you complete a product registration form at <http://www.regency-fire.com/Customer-Care/Warranty-Registration.aspx> within ninety (90) days of purchase.



# warranty



### Product Registration and Customer Support:

Thank you for choosing a fireplace distributed by FPI. FPI strives to be a world leader in the design, manufacture, and marketing of hearth products. To provide the best support for your product, we request that you complete a product registration form found on our Web Site under Customer Care within ninety (90) days of purchase.

For purchases made in **CANADA or the UNITED STATES:**

<http://www.regency-fire.com/Customer-Care/Warranty-Registration.aspx>

For purchases made in **AUSTRALIA:**

<http://www.regency-fire.com.au/Customer-Care/Warranty-Registration.aspx>

You may also complete the warranty registration form below to register your fireplace and mail and/or fax it back to us, and we will register the warranty for you. It is important you provide us with all the information below in order for us to serve you better.

### Warranty Registration Form (or Register online immediately at the above Web Site):

<b>Warranty Details</b>	
Serial Number (required):	
Purchase Date (required) (mm/dd/yyyy):	
<b>Product Details</b>	
Product Model (required):	
<b>Dealer Details</b>	
Dealer Name (required):	
Dealer Address:	
Dealer Phone #:	
Installer:	
Date Installed (mm/dd/yyyy):	
<b>Your Contact Details (required)</b>	
Name:	
Address:	
Phone:	
Email:	

For purchases made in **CANADA:**

**FPI Fireplace Products International Ltd.**  
6988 Venture St.  
Delta, British Columbia  
Canada, V4G 1H4

Phone: 604-946-5155  
Fax: 604-946-4349

For purchases made in the **UNITED STATES:**

**Fireplace Products U.S., Inc.**  
PO Box 2189 PMB 125  
Blaine, WA  
United States, 98231

Phone: 604-946-5155  
Fax: 604-946-4349

For purchases made in **AUSTRALIA:**

**Fireplace Products Australia Pty Ltd**  
1 Conquest Way  
Hallam, VIC  
Australia, 3803

Phone: +61 3 9799 7277  
Fax: +61 3 97997822

For fireplace care and tips and answers to most common questions please visit our Customer Care section on our Web Site. Please feel free to contact your selling dealer if you have any questions about your FPI product.













Installer: Please complete the following information:

Dealer Name & Address:

Installer:

Phone #:

Date Installed:

Serial No.: