



City Series® Zero Clearance Direct Vent Gas Fireplace

Owners &
Installation Manual



STYLE
Single sided

MODEL
CV72E-NG11 / CV72E-LP11

www.regency-fire.com

Warning
Fire or explosion Hazard
failure to follow safety warnings exactly could result in serious injury, death, or property damage.

- Do not store or use gasoline or other flammable vapors and liquids in the vicinity of this or any other appliance.

- WHAT TO DO IF YOU SMELL GAS

- Do not try to light any appliance.
- Do not touch any electrical switch: do not use any phone in your building. Leave the building immediately.
- Immediately call your gas supplier from a neighbour's phone. Follow the gas supplier's instructions.
- If you cannot reach your gas supplier, call the fire department.

- Installation and service must be performed by a qualified installer, service agency or the gas supplier.



Certified to/Certifié pour: CSA 2.17-2017
ANSI Z21.88-2017
CSA 2.33-2017

Installer: Please complete the details on the back cover and leave this manual with the homeowner.
Homeowner: Please keep these instructions for future reference.

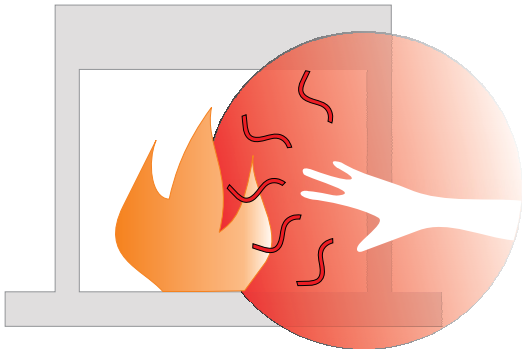
To the New Owner:

Congratulations!

You are the owner of a state-of-the-art Gas Fireplace by REGENCY®. The City Series are hand crafted appliances and have been designed to provide you with all the warmth and charm of a wood fireplace at the flick of a switch. The CV72E City Series have been approved by Intertek for both safety and efficiency. As it also bears our own mark, it promises to provide you with economy, comfort and security for many trouble free years to follow. Please take a moment now to acquaint yourself with these instructions and the many features of your Regency® Fireplace.



DANGER



**HOT GLASS WILL
CAUSE BURNS**

**DO NOT TOUCH GLASS
UNTIL COOLED**

**NEVER ALLOW CHILDREN
TO TOUCH GLASS**

A barrier designed to reduce the risk of burns from the hot viewing glass is provided with this appliance and shall be installed for the protection of children and other at risk individuals.

CAUTION:

**HOT WHILE IN OPERATION. DO NOT TOUCH.
SEVERE BURNS MAY RESULT. KEEP CHILDREN, CLOTHING, FURNITURE,
GASOLINE, AND ANY LIQUIDS WITH FLAMMABLE VAPOURS AWAY.**

**KEEP BURNER AND CONTROL COMPARTMENT CLEAN.
SEE INSTALLATION AND OPERATING INSTRUCTIONS ACCOMPANYING
APPLIANCE.**

919-358

This appliance may be installed in an aftermarket, permanently located, manufactured home (USA only) or mobile home, where not prohibited by local codes.

This appliance is only for use with the type of gas indicated on the rating plate. This appliance is not convertible for use with other gases, unless a certified kit is used.

MANUFACTURED MOBILE HOME REQUIREMENTS INFORMATION FOR MOBILE/MANUFACTURED HOMES AFTER FIRST SALE

This Regency® product has been tested and listed by Intertek as a Direct Vent Wall Furnace to the following standards: to Vented Gas Fireplace Heaters ANSI Z21.88-2017 • CSA 2.33-2017 and Gas-fired Appliances for Use at High Altitudes CSA 2.17-2017.

This Direct Vent System Appliance must be installed in accordance with the manufacturer's installation instructions and the Manufactured Home Construction and Safety Standard, Title 24 CFR, Part 3280, or the current Standard of Fire Safety Criteria for Manufactured Home Installations, Sites, and Communities ANSI/NFPA 501A, and with CAN/CSA Z240-MH Mobile Home Standard in Canada.

This appliance installation must comply with the manufacturer's installation instructions and local codes, if any. In the absence of local codes follow the current National Fuel Gas Code, ANSI Z223.1 and the current National Electrical Code ANSI/NFPA 70 in the U.S.A., and the current CAN/CGA B149 Gas Installation Code and the current Canadian Electrical Code CSA C22.1 in Canada.

This Regency® mobile/manufactured home listed appliance comes factory equipped with four 1/4" diameter holes located near each corner of the base. Fasten the fireplace in place using screw, inserted through the holes.

This appliance comes equipped with a dedicated #8 Ground Lug for attachment of the ground wire to the steel chassis as applicable to local codes. See the "Wiring Diagram" section.

The appliance, when installed, must be electrically grounded in accordance with local codes or, in the absence of local codes, with the National Electrical Code, ANSI/NFPA 70, or the Canadian Electrical Code, CSA C22.1.

This appliance may only be installed in an aftermarket permanently located, manufactured home (U.S.A only) or mobile home, where not prohibited by local codes.

This appliance can only be used with the type of gas indicated on the rating plate. This appliance is not convertible for use with other cases, unless a certified kit is used.

Ensure that structural members are not cut or weakened during installation.



table of contents

Owner's information

Copy of Safety Decal	5
Important Message	7
Before You Start.....	7
First Fire	8
Normal Operating Sounds Of Gas Appliances.....	8
Lighting Procedure	9
Shutdown Procedure	9
Copy of the Lighting Plate Instructions.....	10
Proflame II Remote control operating instructions.....	11
Glass Barrier Removal	15
Inner glass panel (firebox glass) Installation / removal	16
optional barrier glass stoppers installation / removal...	18
Bulb Replacement	19
Maintenance Instructions	20
Log Replacement	20
Glass	20
Glass replacement.....	20
Back Up Battery System.....	20
Warranty	86

Installer's information

General Safety Information.....	22
Installation Checklist.....	22
Heatwave Duct System Optional kit	22
Locating Your Gas Fireplace.....	23
Unit Assembly Prior to Installation.....	24
Removing the unit from the pallet.....	24
Clearances CV72E	26
Mantel Clearances CV72E	27
Mantel Leg Clearances.....	27
Framing Dimensions CV72E	28
Gas Connection - back of unit	29
Gas Connection - bottom of unit.....	29
Gas Connection - side of unit	29
Electrical Connection - bottom of unit.....	30
Electrical Connection - side of unit.....	30
CV72E chase vent installation.....	31
Wall Board/Drywall Installation CV72E.....	34
No screw zones CV72E.....	34
Framing and Finishing Inset Installations CV72E	35
Drywall Lip - Bottom and Sides (Optional).....	35
CV72 Typical Installations.....	36
Flush Install	36
Recessed Install	36
CV72 finishing	37
Chase Venting	38
Exterior Vent Termination Locations	39
5" x 8" Rigid Pipe Cross Reference Chart	40
Wall mount On / Off Switch + battery holder	42
Vent Restrictor Position	43



Horizontal Terminations	44
Flex Vent 5" x 8".....	44
Venting Introduction.....	45
Venting Arrangement for Horizontal Terminations	45
Horizontal Terminations	46
Rigid Pipe 5" x 8".....	46
Horizontal Terminations	47
Rigid Pipe 5" x 8".....	47
Horizontal Venting with Two (2) 90° Elbows	47
Horizontal Venting with Three (3) 90° Elbows.....	47
Vertical terminations Rigid Pipe 5" x 8"	48
Venting Arrangement for Vertical Terminations.....	49
Vertical Terminations Rigid Pipe 5" x 8".....	50
Unit Installation with Horizontal Termination	51
5" x 8" venting.....	51
Unit Installation with Horizontal Termination	52
Unit Installation with Vertical Termination	54
Heatwave Deflector + Heatwave Venting Installation...55	
High Elevation.....	56
Gas Line Installation	56
Pilot Adjustment.....	56
Gas Pipe Pressure Testing	56
885 S.I.T. Valve Description	56
Wiring the Unit.....	57
Wiring Diagrams	58
Inner glass panel (firebox glass) Installation / removal	59
Optional barrier glass stoppers installation / removal..61	
LP conversion instructions.....	62
Bulb Replacement	64
CV72E Painted panel installation	65
Inner Panels-CV72E.....	65
Outer Panels-CV72E	65
CV72E enamel panel installation.....	66
CV72E glass panel installation	67
Burner and Firebox media options	69
Optional driftwood Log set Installation.....	70
Optional birch wood Log set Installation.....	74
Optional split wood Log set Installation	78
Glass Barrier installation.....	82
Glass Barrier Adjustment.....	83
Aeration Adjustment	84
Minimum Air Shutter Opening:.....	84
Maintenance Instructions	85
Log Replacement	85
Glass Gasket	85
Glass	85
Glass replacement.....	85
Flame Pattern	85
Valve Replacement.....	86
CV72E main assembly	87
Main assembly.....	88

This is a copy of the label that accompanies Direct Vent Gas Fireplace. We have printed a copy of the contents here for your review. The safety label is located on the front inside base of the unit, visible when the outer front panel is removed.

NOTE: Regency® units are constantly being improved. Check the label on the unit and if there is a difference, the label on the unit is the correct one.

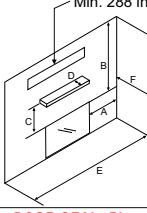
Copy of Safety Decal

Duplicate S/N
485

	<p>Listed/Nom: VENTED GAS FIREPLACE HEATER / FOYER AU GAZ À ÉVACUATION DO NOT REMOVE THIS LABEL / NE PAS ENLEVER CETTE ÉTIQUETTE</p> <p>Certified for/Certifié : ANSI Z21.88-2017 • CSA-2.33-2017 CSA 2.17-2017</p> <p>MAY BE INSTALLED IN MANUFACTURED (MOBILE) HOMES AFTER FIRST SALE.</p> <p>Refer to Intertek's Directory of Building Products for detailed information. Pour plus de détails, se reporter au Répertoire des produits de construction de Intertek.</p>	
		485 Serial No. / No de série

<p>NATURAL GAS: Model: CV72E-NG11</p> <table border="0" style="width: 100%;"> <tr><td>Minimum supply pressure</td><td>5.0"</td><td>WC/C.E. (125 kPa)</td><td>Pression d'alimentation minimale</td></tr> <tr><td>Manifold pressure - High</td><td>3.5"</td><td>WC/C.E. (0.87 kPa)</td><td>Pression de sortie (manifold) - Haute</td></tr> <tr><td>Manifold pressure - Low</td><td>1.6"</td><td>WC/C.E. (0.40 kPa)</td><td>Pression de sortie (manifold) - Basse</td></tr> <tr><td>Orifice size</td><td>#30</td><td>DMS</td><td>Taille de l'orifice</td></tr> <tr><td>Maximum input</td><td>46,500</td><td>Btu/h (13.63 kW)</td><td>Débit calorifique maximal</td></tr> <tr><td>Minimum input</td><td>32,000</td><td>Btu/h (9.37 kW)</td><td>Débit calorifique minimal</td></tr> <tr><td>Altitude</td><td>0-4500</td><td>ft/pi (0-1372 m)</td><td>Altitude</td></tr> </table>	Minimum supply pressure	5.0"	WC/C.E. (125 kPa)	Pression d'alimentation minimale	Manifold pressure - High	3.5"	WC/C.E. (0.87 kPa)	Pression de sortie (manifold) - Haute	Manifold pressure - Low	1.6"	WC/C.E. (0.40 kPa)	Pression de sortie (manifold) - Basse	Orifice size	#30	DMS	Taille de l'orifice	Maximum input	46,500	Btu/h (13.63 kW)	Débit calorifique maximal	Minimum input	32,000	Btu/h (9.37 kW)	Débit calorifique minimal	Altitude	0-4500	ft/pi (0-1372 m)	Altitude	<p>GAZ NATUREL : Modèle CV72E-NG11</p> <table border="0" style="width: 100%;"> <tr><td>Pression d'alimentation minimale</td><td>11"</td><td>WC/C.E. (2.73 kPa)</td><td>Pression d'alimentation minimale</td></tr> <tr><td>Pression de sortie (manifold) - Haute</td><td>10"</td><td>WC/C.E. (2.49 kPa)</td><td>Pression de sortie (manifold) - Haute</td></tr> <tr><td>Pression de sortie (manifold) - Basse</td><td>6.4"</td><td>WC/C.E. (1.59 kPa)</td><td>Pression de sortie (manifold) - Basse</td></tr> <tr><td>Taille de l'orifice</td><td>#47</td><td>DMS</td><td>Taille de l'orifice</td></tr> <tr><td>Débit calorifique maximal</td><td>45,500</td><td>Btu/h (13.33 kW)</td><td>Débit calorifique maximal</td></tr> <tr><td>Débit calorifique minimal</td><td>36,000</td><td>Btu/h (10.55 kW)</td><td>Débit calorifique minimal</td></tr> <tr><td>Altitude</td><td>0-4500</td><td>ft/pi (0-1372 m)</td><td>Altitude</td></tr> </table>	Pression d'alimentation minimale	11"	WC/C.E. (2.73 kPa)	Pression d'alimentation minimale	Pression de sortie (manifold) - Haute	10"	WC/C.E. (2.49 kPa)	Pression de sortie (manifold) - Haute	Pression de sortie (manifold) - Basse	6.4"	WC/C.E. (1.59 kPa)	Pression de sortie (manifold) - Basse	Taille de l'orifice	#47	DMS	Taille de l'orifice	Débit calorifique maximal	45,500	Btu/h (13.33 kW)	Débit calorifique maximal	Débit calorifique minimal	36,000	Btu/h (10.55 kW)	Débit calorifique minimal	Altitude	0-4500	ft/pi (0-1372 m)	Altitude
Minimum supply pressure	5.0"	WC/C.E. (125 kPa)	Pression d'alimentation minimale																																																						
Manifold pressure - High	3.5"	WC/C.E. (0.87 kPa)	Pression de sortie (manifold) - Haute																																																						
Manifold pressure - Low	1.6"	WC/C.E. (0.40 kPa)	Pression de sortie (manifold) - Basse																																																						
Orifice size	#30	DMS	Taille de l'orifice																																																						
Maximum input	46,500	Btu/h (13.63 kW)	Débit calorifique maximal																																																						
Minimum input	32,000	Btu/h (9.37 kW)	Débit calorifique minimal																																																						
Altitude	0-4500	ft/pi (0-1372 m)	Altitude																																																						
Pression d'alimentation minimale	11"	WC/C.E. (2.73 kPa)	Pression d'alimentation minimale																																																						
Pression de sortie (manifold) - Haute	10"	WC/C.E. (2.49 kPa)	Pression de sortie (manifold) - Haute																																																						
Pression de sortie (manifold) - Basse	6.4"	WC/C.E. (1.59 kPa)	Pression de sortie (manifold) - Basse																																																						
Taille de l'orifice	#47	DMS	Taille de l'orifice																																																						
Débit calorifique maximal	45,500	Btu/h (13.33 kW)	Débit calorifique maximal																																																						
Débit calorifique minimal	36,000	Btu/h (10.55 kW)	Débit calorifique minimal																																																						
Altitude	0-4500	ft/pi (0-1372 m)	Altitude																																																						
<p>PROPANE GAS: Model: CV72E-LP11</p> <table border="0" style="width: 100%;"> <tr><td>Minimum supply pressure</td><td>11"</td><td>WC/C.E. (2.73 kPa)</td><td>Pression d'alimentation minimale</td></tr> <tr><td>Manifold pressure - High</td><td>10"</td><td>WC/C.E. (2.49 kPa)</td><td>Pression de sortie (manifold) - Haute</td></tr> <tr><td>Manifold pressure - Low</td><td>6.4"</td><td>WC/C.E. (1.59 kPa)</td><td>Pression de sortie (manifold) - Basse</td></tr> <tr><td>Orifice size</td><td>#47</td><td>DMS</td><td>Taille de l'orifice</td></tr> <tr><td>Maximum input</td><td>45,500</td><td>Btu/h (13.33 kW)</td><td>Débit calorifique maximal</td></tr> <tr><td>Minimum input</td><td>36,000</td><td>Btu/h (10.55 kW)</td><td>Débit calorifique minimal</td></tr> <tr><td>Altitude</td><td>0-4500</td><td>ft/pi (0-1372 m)</td><td>Altitude</td></tr> </table>	Minimum supply pressure	11"	WC/C.E. (2.73 kPa)	Pression d'alimentation minimale	Manifold pressure - High	10"	WC/C.E. (2.49 kPa)	Pression de sortie (manifold) - Haute	Manifold pressure - Low	6.4"	WC/C.E. (1.59 kPa)	Pression de sortie (manifold) - Basse	Orifice size	#47	DMS	Taille de l'orifice	Maximum input	45,500	Btu/h (13.33 kW)	Débit calorifique maximal	Minimum input	36,000	Btu/h (10.55 kW)	Débit calorifique minimal	Altitude	0-4500	ft/pi (0-1372 m)	Altitude	<p>GAZ PROPANE : Modèle CV72E-LP11</p> <table border="0" style="width: 100%;"> <tr><td>Pression d'alimentation minimale</td><td>11"</td><td>WC/C.E. (2.73 kPa)</td><td>Pression d'alimentation minimale</td></tr> <tr><td>Pression de sortie (manifold) - Haute</td><td>10"</td><td>WC/C.E. (2.49 kPa)</td><td>Pression de sortie (manifold) - Haute</td></tr> <tr><td>Pression de sortie (manifold) - Basse</td><td>6.4"</td><td>WC/C.E. (1.59 kPa)</td><td>Pression de sortie (manifold) - Basse</td></tr> <tr><td>Taille de l'orifice</td><td>#47</td><td>DMS</td><td>Taille de l'orifice</td></tr> <tr><td>Débit calorifique maximal</td><td>45,500</td><td>Btu/h (13.33 kW)</td><td>Débit calorifique maximal</td></tr> <tr><td>Débit calorifique minimal</td><td>36,000</td><td>Btu/h (10.55 kW)</td><td>Débit calorifique minimal</td></tr> <tr><td>Altitude</td><td>0-4500</td><td>ft/pi (0-1372 m)</td><td>Altitude</td></tr> </table>	Pression d'alimentation minimale	11"	WC/C.E. (2.73 kPa)	Pression d'alimentation minimale	Pression de sortie (manifold) - Haute	10"	WC/C.E. (2.49 kPa)	Pression de sortie (manifold) - Haute	Pression de sortie (manifold) - Basse	6.4"	WC/C.E. (1.59 kPa)	Pression de sortie (manifold) - Basse	Taille de l'orifice	#47	DMS	Taille de l'orifice	Débit calorifique maximal	45,500	Btu/h (13.33 kW)	Débit calorifique maximal	Débit calorifique minimal	36,000	Btu/h (10.55 kW)	Débit calorifique minimal	Altitude	0-4500	ft/pi (0-1372 m)	Altitude
Minimum supply pressure	11"	WC/C.E. (2.73 kPa)	Pression d'alimentation minimale																																																						
Manifold pressure - High	10"	WC/C.E. (2.49 kPa)	Pression de sortie (manifold) - Haute																																																						
Manifold pressure - Low	6.4"	WC/C.E. (1.59 kPa)	Pression de sortie (manifold) - Basse																																																						
Orifice size	#47	DMS	Taille de l'orifice																																																						
Maximum input	45,500	Btu/h (13.33 kW)	Débit calorifique maximal																																																						
Minimum input	36,000	Btu/h (10.55 kW)	Débit calorifique minimal																																																						
Altitude	0-4500	ft/pi (0-1372 m)	Altitude																																																						
Pression d'alimentation minimale	11"	WC/C.E. (2.73 kPa)	Pression d'alimentation minimale																																																						
Pression de sortie (manifold) - Haute	10"	WC/C.E. (2.49 kPa)	Pression de sortie (manifold) - Haute																																																						
Pression de sortie (manifold) - Basse	6.4"	WC/C.E. (1.59 kPa)	Pression de sortie (manifold) - Basse																																																						
Taille de l'orifice	#47	DMS	Taille de l'orifice																																																						
Débit calorifique maximal	45,500	Btu/h (13.33 kW)	Débit calorifique maximal																																																						
Débit calorifique minimal	36,000	Btu/h (10.55 kW)	Débit calorifique minimal																																																						
Altitude	0-4500	ft/pi (0-1372 m)	Altitude																																																						

Minimum Clearances to Combustibles / Dégagements minimaux par rapport aux matériaux combustibles



DOOR SEAL: Please check that the door is properly sealed

Min. 288 in²

Side Walls / Murs latéraux
A 8" (203 mm)

Ceiling / Plafond
B 61-3/4" (1568mm)

Min. Mantel Height /Hteur Min Manteau
C 9" (229 mm) with 12" mantel

Max. Mantel Depth/Profondeur Max Manteau
D 12" (305 mm)

Alcove Width/Largeur Alcôve
E 88" (2235 mm)

Alcove Depth/Profondeur Alcôve
F 36" (2134 mm)

(See instruction manual for detailed instructions)
(Voir manuel pour plus de détails)

This appliance must be installed in accordance with local codes, if any; if none, follow the National Fuel Gas Code, ANSI Z223.1, or Natural Gas and Propane Installation Code, CSA B149.1.
 This appliance must be installed in accordance with the Standard CAN/CSA Z240 MH, Mobile Housing, in Canada, or with the Manufactured Home Construction and Safety Standard, Title 24 CFR, Part 3280, in the United States, or when such a standard is not applicable, ANSI/NCSBSCSA225.1/NFPA 501A, Manufactured Home Installations Standard.
 This appliance is only for use with the type(s) of gas indicated on the rating plate and may be installed in an aftermarket, permanently located, manufactured home (USA only) or mobile home, where not prohibited by local codes. See owner's manual for details. This appliance is supplied with a conversion kit.
 L'appareil doit être installé conformément aux codes et règlements locaux, ou, en l'absence de tels règlements, selon les codes d'installation National Fuel Gas Code ANSI Z223.1, ou CSA-B149.1 Natural Gas and Propane Installation Code en vigueur.
 L'appareil doit être installé conformément à la norme CAN/CSA-Z240, Série MM, Maisons mobiles, ou la norme 24 CFR Part 3280, Manufactured Home Construction and Safety Standard. Si ces normes ne sont pas applicables, veuillez vous référer à la norme ANSI/NCSBSCSA225.1/NFPA501A.
 Cet appareil doit être utilisé uniquement avec les types de gaz indiqués sur la plaque signalétique et peut être installé dans une maison préfabriquée (É.-U. seulement) ou mobile installée à demeure si les règlements locaux le permettent. Voir la notice de l'utilisateur pour plus de renseignements. Une trousse de conversion est fournie avec cet appareil.
For Use Only with Barrier CV72E (Part #940-490/P) Follow installation instructions. This vented gas fireplace heater is not for use with air filters.
Utiliser uniquement avec l'écran CV72E (n°940-490/P) Suivre les instructions d'installation. Ne pas utiliser de filtre à air avec ce foyer au gaz à évacuation.
FOR USE WITH GLASS DOORS CERTIFIED WITH THE APPLIANCE ONLY DOIT ÊTRE UTILISÉ UNIQUEMENT AVEC LES PORTES VITRÉES CERTIFIÉES
 Electrical supply / Alimentation électrique 115VAC, 1.5 A, 60Hz. Part No. 946-556 Heatwave Kit may be used. La trousse Heatwave (pièce n°946-556) peut être utilisée.
VENTED GAS FIREPLACE - NOT FOR USE WITH SOLID FUELS.
FOYER AU GAZ À ÉVACUATION - NE PAS UTILISER AVEC UN COMBUSTIBLE SOLIDE.
FPI Fireplace Products International Ltd. Delta, BC, Canada
 Made in Canada/ Fabriqué au Canada

Model/Modèle : ○ CV72E-NG11 ○ CV72E-LP11

919-932a

On Demand Pilot Light (7 day safety timer)

Important information if using the appliance in CPI (continuous pilot mode) only.

This appliance is a ProFlame 2 system fitted with the "On Demand" Pilot, a safety feature which will shut down the gas valve completely by extinguishing the pilot light in the event of a continuous full seven days of inactivity.

This only applies if the CPI (continuous pilot) switch is in the "on" position in your remote control transmitter.

Each time the main burner shuts down, manually or through the call from the thermostat, the seven day timer starts again.

The seven day inactivity timer is controlled within the circuit board. Therefore, if in CPI mode and when the pilot light is extinguished after seven straight days of inactivity, the CPI setting on the remote control transmitter will remain in the "CPI" (continuous pilot) position. Therefore, all that is required to relight the pilot would be to press the on/off button on the remote control transmitter from "ON" to "OFF" and back to "ON". Once the pilot has re-established operation will resume as normal. There is no requirement to do anything with the IPI/CPI mode on the remote control transmitter.

If the unit never goes as long as seven full days without a call for heat, the pilot will remain lit until it is manually shut-off.

If the unit is being operated in IPI (intermittent pilot) mode, neither the above instructions nor the seven day timer will apply.

See the instructions in this manual and on the Lighting Instructions plate on the appliance to light or re-light the pilot.

For the State of Massachusetts, installation and repair must be done by a plumber or gasfitter licensed in the Commonwealth of Massachusetts.

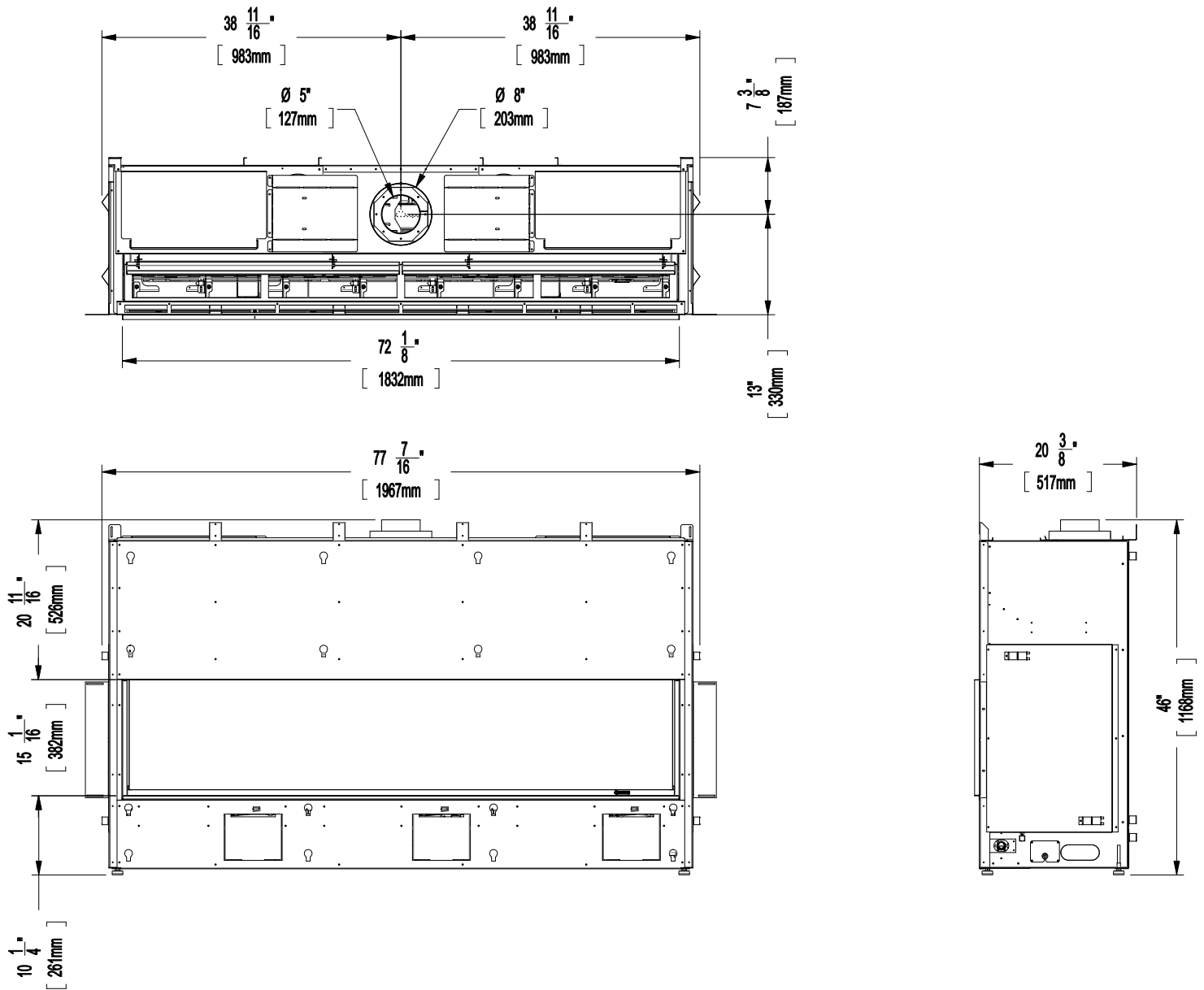
For the State of Massachusetts, flexible connectors shall not exceed 36 inches in length.

For the State of Massachusetts, the appliances individual manual shut-off must be a t-handle type valve.

The State of Massachusetts requires the installation of a carbon monoxide alarm in accordance with NFPA 720 and a CO alarm with battery back up in the same room where the gas appliance is installed.

dimensions

CV72E dimensions



Note: Height Dimension is taken with leveling legs fully inserted and may vary depending on the height of the leveling legs, when unscrewed or extended.

Dimensions will appear as (inches)" / (metric) mm throughout this manual. The inches are rounded to the nearest 1/16" when converted, when greater accuracy is required, use the metric dimensions.

Note: These units are non-load bearing.

ALL PICTURES / DIAGRAMS SHOWN THROUGHOUT THIS MANUAL ARE FOR ILLUSTRATION PURPOSES ONLY. ACTUAL PRODUCT MAY VARY DUE TO PRODUCT ENHANCEMENTS.

Important Message**SAVE THESE INSTRUCTIONS**

City Line Direct Vent Fireplaces must be installed in accordance with these instructions. Carefully read all the instructions in this manual first. Consult the "authority having jurisdiction" to determine the need for a permit prior to starting the installation. It is the responsibility of the installer to ensure this fireplace is installed in compliance with manufacturer's instructions and all applicable codes.

Before You Start

Safe installation and operation of this appliance requires common sense, however, we are required by the Canadian Safety Standards and ANSI Standards to make you aware of the following:

INSTALLATION AND REPAIR SHOULD BE DONE BY AN AUTHORIZED SERVICE PERSON. THE APPLIANCE SHOULD BE INSPECTED BEFORE USE AND AT LEAST ANNUALLY BY A PROFESSIONAL SERVICE PERSON. MORE FREQUENT CLEANING MAY BE REQUIRED DUE TO EXCESSIVE LINT FROM CARPETING, BEDDING MATERIAL, ETC. IT IS IMPERATIVE THAT CONTROL COMPARTMENTS, BURNERS AND CIRCULATING AIR PASSAGEWAYS OF THE APPLIANCE BE KEPT CLEAN.

DUE TO HIGH TEMPERATURES, THE APPLIANCE SHOULD BE LOCATED OUT OF TRAFFIC AND AWAY FROM FURNITURE AND DRAPERIES.

WARNING: FAILURE TO INSTALL THIS APPLIANCE CORRECTLY WILL VOID YOUR WARRANTY AND MAY CAUSE A SERIOUS HOUSE FIRE.



WARNING: Cancer and Reproductive Harm
www.P65Warnings.ca.gov

CHILDREN AND ADULTS SHOULD BE ALERTED TO THE HAZARDS OF HIGH SURFACE TEMPERATURES, ESPECIALLY THE FIREPLACE GLASS, AND SHOULD STAY AWAY TO AVOID BURNS OR CLOTHING IGNITION.

YOUNG CHILDREN SHOULD BE CAREFULLY SUPERVISED WHEN THEY ARE IN THE SAME AREA AS THE APPLIANCE. TODDLERS, YOUNG CHILDREN AND OTHERS MAY BE SUSCEPTIBLE TO ACCIDENTAL CONTACT BURNS. A PHYSICAL BARRIER IS RECOMMENDED IF THERE ARE AT RISK INDIVIDUALS IN THE HOUSE. TO RESTRICT ACCESS TO A FIREPLACE OR STOVE, INSTALL AN ADJUSTABLE SAFETY GATE TO KEEP TODDLERS, YOUNG CHILDREN AND OTHER AT RISK INDIVIDUALS OUT OF THE ROOM AND AWAY FROM HOT SURFACES.

CLOTHING OR OTHER FLAMMABLE MATERIAL SHOULD NOT BE PLACED ON OR NEAR THE APPLIANCE.

A BARRIER DESIGNED TO REDUCE THE RISK OF BURNS FROM THE HOT VIEWING GLASS IS PROVIDED WITH THIS APPLIANCE AND SHALL BE INSTALLED FOR THE PROTECTION OF CHILDREN AND OTHER AT-RISK INDIVIDUALS

ANY SAFETY SCREEN, GUARD, OR BARRIER REMOVED FOR SERVICING THE APPLIANCE, MUST BE REPLACED PRIOR TO OPERATING THE APPLIANCE.

IF THE BARRIER BECOMES DAMAGED, THE BARRIER SHALL BE REPLACED WITH THE MANUFACTURER'S BARRIER FOR THIS APPLIANCE.

WE RECOMMEND REMOVING THE GLASS WITH THE GLASS VACUUM HOLDERS SUPPLIED BY THE MANUFACTURER. LOWER THE GLASS TO REST IN A SAFE PLACE. THIS IS TO PREVENT DAMAGE TO THE GLASS EDGES. EXTRA CARE MUST BE TAKEN WHEN REMOVING/INSTALLING THE GLASS. BREAKAGE OR DAMAGE TO THE EDGE OF THE GLASS WHICH OCCURS AS A RESULT OF CARELESS HANDLING WILL NOT BE COVERED UNDER WARRANTY.

owner's information

First Fire

The **FIRST FIRE** in your fireplace is part of the paint curing process. To ensure the paint is properly cured, it is recommended you burn your fireplace for at least four (4) hours the first time.

When first operated, the unit will release an odour caused by the curing of the paint and the burning off of any oils remaining from manufacturing. Smoke detectors in the house may go off at this time. Open a few windows to ventilate the room for a couple of hours. The glass may require cleaning.

NOTE: When the glass is cold and the appliance is lit, it may cause condensation and fog the glass. This condensation is normal and will disappear in a few minutes as the glass heats up.

DO NOT ATTEMPT TO CLEAN THE GLASS WHILE IT IS STILL HOT!

DO NOT BURN THE UNIT WITHOUT THE GLASS IN PLACE.

During the first few fires, a white film may develop on the glass front as part of the curing process. The glass should be cleaned after the unit has cooled down or the film will bake on and become very difficult to remove. Use a non-abrasive cleaner and DO NOT ATTEMPT TO CLEAN THE GLASS WHILE IT IS HOT.

Normal Operating Sounds Of Gas Appliances

It is possible that you will hear some sounds from your gas appliance. This is perfectly normal due to the fact that there are various gauges and types of steel used within your appliance. Listed below are some examples. All are **normal operating sounds** and should not be considered as defects in your appliance.

Burner Tray:

The burner tray is positioned directly under the burner tube(s) media and logs and is made of a different gauge material from the rest of the firebox and body. Therefore, the varying thicknesses of steel will expand and contract at slightly different rates which can cause "ticking" and "cracking" sounds. You should also be aware that as there are temperature changes within the unit these sounds will likely re-occur. Again, this is normal for steel fireboxes.

Pilot Flame:

While the pilot flame is on it can make a very slight "whisper" sound.

Gas Control Valve:

As the gas control valve turns ON and OFF, a dull clicking sound may be audible, this is normal operation of a gas regulator or valve.

Unit Body/Firebox:

Different types and thicknesses of steel will expand and contract at different rates resulting in some "cracking" and "ticking" sounds will be heard throughout the cycling process.

Lighting Procedure

IMPORTANT: The remote control system supplied with this appliance has several options for starting/operating the appliance using the battery holder and ON/OFF key on the hand held transmitter. Prior to operating this appliance, please read the remote control operating instructions (packaged with remote control) to understand how to operate this remote control system.

1. Ensure the battery holder switch is in the Remote position and / or wall mounted battery holder (if equipped) is in the <REMOTE> position.
2. Press and release the ON/OFF button on the remote handheld transmitter (see Diagram 1). An audible beep should be heard from the receiver. If not using the remote, the unit can also be turned on by sliding the battery holder switch to the <ON> position (if equipped).



Diagram 1

3. After approximately 4 seconds the spark ignition system will spark for 60 seconds to light the main burner.
4. The unit will turn on.



* Actual transmitter is black as shown above.

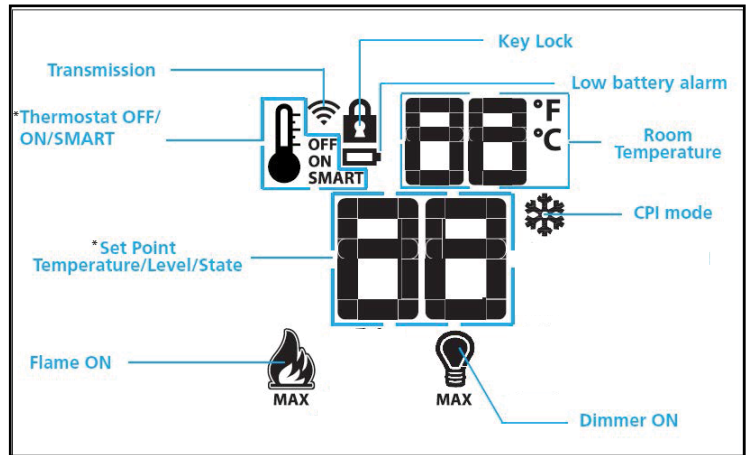
Note: The first try for ignition will last approximately 60 seconds. If there is no flame ignition (rectification) the board will stop sparking for approximately 35 seconds. After wait time, the board will start second try for ignition by sparking for approximately 60 seconds. If there is still no positive ignition the board will go into lock out.

The system will need to be reset as follows:

- a) Turn the system off by pressing the ON/OFF button on the remote.
- b) Wait 5 minutes then repeat from step 2.

Shutdown Procedure

1. Press the ON/OFF button on the remote
2. If service is to be performed- you must disconnect power and shut off gas to the unit.



* Not offered on all models.

Continuous Pilot/Intermittent Pilot (CPI/IPI) selection

See remote control instructions for details.

Copy of the Lighting Plate Instructions

**FOR YOUR SAFETY READ BEFORE LIGHTING
POUR VOTRE SÉCURITÉ – À LIRE AVANT LA MISE EN MARCHÉ**

This appliance must be installed in accordance with local codes, if any; if none, follow the National Fuel Gas Code, ANSI Z223.1/NFPA 54, or Natural Gas and Propane Installation Codes, CSA B149.1.
Cet appareil doit être installé conformément aux codes locaux, s'il y a lieu. En l'absence de tels codes, suivre le National Fuel Gas Code, ANSI Z223.1/NFPA 54, ou les Natural Gas and Propane Installation Codes, CSA B149.1.

WARNING: If you do not follow these instructions exactly, a fire or explosion may result causing property damage, personal injury or loss of life. Improper installation, adjustment, alteration, service or maintenance can cause injury or property damage. Refer to the owner's information manual provided with this appliance. For assistance or additional information consult a qualified installer, service agency or gas supplier.

AVERTISSEMENT : Quiconque ne respecte pas scrupuleusement les instructions de la présente notice risque de déclencher un incendie ou une explosion pouvant entraîner des dégâts matériels ou des blessures pouvant être mortelles. Tout défaut d'installation, de réglage, de modification, de service ou d'entretien peut entraîner des blessures ou des dommages matériels. Reportez-vous au manuel d'utilisation fourni avec cet équipement. Pour obtenir de l'aide ou des informations complémentaires, consulter un installateur ou un service d'entretien qualifié, ou le fournisseur de gaz.

- A) This appliance is equipped with an ignition device which automatically lights the pilot.
Do not try to light the pilot by hand.
- B) **BEFORE OPERATING** smell all around the appliance area for gas. Be sure to smell next to the floor because some gas is heavier than air and will settle on the floor.
- WHAT TO DO IF YOU SMELL GAS**
- Do not try to light any appliance.
 - Do not touch any electric switch, do not use any phone in your building.
 - Immediately call your gas supplier from a neighbour's phone. Follow the gas supplier's instructions.
 - If you cannot reach your gas supplier, call the fire department.
- C) Do not use this appliance if any part has been under water. Immediately call a qualified service technician to inspect the appliance and replace any part of the control system and any gas control which has been underwater.
- A) Cet appareil est muni d'un dispositif d'allumage qui allume automatiquement la veilleuse.
Ne tentez pas d'allumer la veilleuse manuellement.
- B) **AVANT LA MISE EN MARCHÉ**, reniflerez tout autour de l'appareil pour détecter une odeur de gaz. Reniflez au niveau du plancher, car certains gaz sont plus lourds que l'air et peuvent s'accumuler au niveau du sol.

QUE FAIRE SI VOUS SENTEZ UNE ODEUR DE GAZ :

- Ne tentez pas d'allumer l'appareil
 - Ne touchez à aucun interrupteur; n'utilisez pas de téléphones se trouvant dans le bâtiment.
 - Appelez immédiatement votre fournisseur de gaz depuis un téléphone extérieur. Suivez les instructions du fournisseur.
 - Si vous ne pouvez pas rejoindre le fournisseur, appelez le service incendie.
- C) N'utilisez pas cet appareil s'il a été plongé dans l'eau, même partiellement. Faites inspecter l'appareil par un technicien qualifié et remplacez tout élément du système de contrôle ou de commande qui a été plongé dans l'eau.

CAUTION: Hot while in operation. Do not touch. Severe burns may result. Due to high surface temperatures keep children, clothing and furniture, gasoline and other liquids having flammable vapors away. Keep burner and control compartment clean. See installation and operating instructions accompanying appliance.

ATTENTION : Surfaces chaudes lorsque l'appareil est en marche. Ne pas toucher. Risque de brûlures graves. En raison des températures élevées, les enfants, les vêtements et le mobilier, le carburant et tout autre liquide aux vapeurs inflammables doivent être tenus éloignés de l'appareil. Nettoyer régulièrement le brûleur et le compartiment des commandes. Voir les consignes d'installation et d'utilisation fournies avec l'appareil.

LIGHTING INSTRUCTIONS / CONSIGNES D'ALLUMAGE

- 1) Ensure the Main switch is in the ON position and/or the wall mounted battery holder (if equipped) is in the <REMOTE> position.
 - 2) Press and release the ON/OFF button on the remote handheld transmitter. An audible beep should be heard from the receiver. If not using the remote, the unit can also be turned on by sliding the battery holder switch to the <ON> position (if equipped).
 - 3) After approximately 4 seconds the spark ignition system will spark for 60 seconds to light the main burner.
 - 4) The unit will turn on.
Note: The first attempt to ignition will last approximately 60 seconds. If there is no flame ignition (rectification) the board will stop sparking for approximately 35 seconds. After this wait time, the board will start a second try for ignition by sparking for approximately 60 seconds. If there is still no positive ignition after the second attempt the board will go into lock out. The system will need to be reset as follows (after going into lock out mode):
 - a) Wait 5 minutes - turn the system off by pressing the ON/OFF button on the remote.
 - b) After approximately 2 seconds press the ON/OFF button again.
 - c) Unit will repeat step 2.
- 1) S'assurer que le commutateur principal est en position ON et/ou que le bloc-piles mural (le cas échéant) est en position <REMOTE>.
- 2) Appuyer sur la touche ON/OFF de la télécommande puis relâcher. Un bip sonore retentira depuis le récepteur. Si vous n'utilisez pas la télécommande, l'appareil peut également être allumé en faisant glisser le commutateur du bloc-piles sur la position <ON> (le cas échéant).
- 3) Après environ 4 secondes, le système d'allumage produira une étincelle pendant 60 secondes pour allumer le brûleur principal.
- 4) L'appareil s'allumera.
Remarque : Au premier allumage, le système tente d'allumer les flammes pendant 60 secondes. Si l'essai est infructueux, le système fera une pause de 35 secondes. C'est ce qu'on appelle l'étape de rectification. Ce délai écoulé, le système tente à nouveau d'allumer les flammes en produisant des étincelles pendant 60 secondes. Si les flammes ne s'allument toujours pas, le système se met en mode verrouillage.
- Il faut alors le réinitialiser en suivant les étapes ci-dessous (pour le déverrouiller) :
- a) Attendre 5 minutes et éteindre l'appareil en appuyant sur la touche ON/OFF de la télécommande.
 - b) Attendre 2 secondes et appuyer encore une fois sur la touche ON/OFF.
 - c) L'appareil répètera l'étape 2.

TO TURN OFF GAS APPLIANCE / POUR ÉTEINDRE UN APPAREIL AU GAZ

- 1) Press the ON/OFF button on the remote.
 - 2) If service is to be performed—you must disconnect power and shut off gas to the unit.
- 1) Appuyer sur la touche ON/OFF de la télécommande.
 - 2) Lors de l'entretien de l'appareil, vous devez débrancher l'alimentation électrique et couper le gaz alimentant l'appareil.

DO NOT REMOVE THIS INSTRUCTION PLATE

NE PAS ENLEVER CETTE ÉTIQUETTE D'INSTRUCTIONS

919-649

Proflame II Remote control operating instructions

IMPORTANT:The Proflame Transmitter 2 is an integrated part of the Proflame 2 System, which consists of these elements:

- Proflame 2 Transmitter, to be used in conjunction with:
- Integrated Fireplaces Control (Proflame 2 IFC)

The Proflame 2 Transmitter provides for controlling the following hearth appliance functions:

1. Main Burner On/Off
2. Main Burner flame modulation (6 levels)
3. Choice of standing or intermittent pilot (CPI/IPI)
4. Thermostat and Smart thermostat functions
5. Accent light modulation (6 levels)**
6. Split flow valve**
7. Comfort Fan speed modulation (6 levels)**

** This feature is not available on all models.

The Proflame Transmitter uses a streamline design with a simple button layout and informative LCD display (Fig. 1). A Mode Key is provided to index between the features and a Thermostat Key is used to turn on/off or index through Thermostat functions (Fig. 1 & 2). Additionally, a Key Lock feature is provided (Fig. 22).

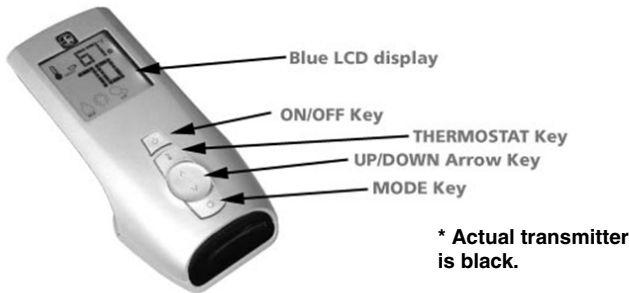


Figure 1: Proflame Transmitter

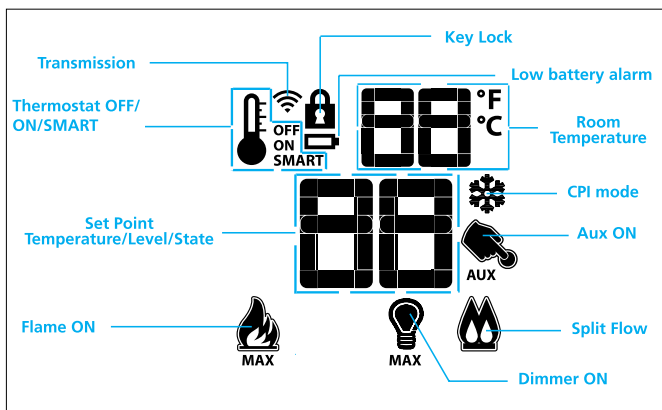


Figure 2: Transmitter LCD Display

TECHNICAL DATA REMOTE CONTROL	
Supply Voltage	4.5V (three 1.5V AAA batteries)
Ambient temperature ratings	0 - 50°C (32 - 122°F)
Radio Frequency	315 MHZ

WARNING: THE TRANSMITTER AND RECEIVER ARE RADIO FREQUENCY DEVICES. PLACING THE RECEIVER IN OR NEAR METAL MAY SEVERELY REDUCE THE SIGNAL RANGE.

ATTENTION!

- Turn "OFF" the main gas supply of the appliance during installation or maintenance of the Receiver device.

- Turn "OFF" main gas supply to the appliance prior to removing or reinserting the batteries.

- In case of remote control malfunction, turn off the IFC device using the "ON/OFF" main switch.

- For installation / maintenance, switch off the IFC device removing main power supply plug.

OPERATING PROCEDURE

Initializing the System for the first time

Power the receiver. Activate the procedure of the receiver address programming, see the receiver instruction (*). The Receiver will "beep" three (3) times to indicate that it is ready to synchronize with a Transmitter. Install the 3 AAA type batteries in the Transmitter battery bay, located on the base of the Transmitter. (fig. 3) With the batteries already installed in the Transmitter, push the On button. The Receiver will "beep" four times to indicate the Transmitter's command is accepted and sets to the particular code of that Transmitter. The system is now initialized.

(*) The receiver may be independent or integral to the IFC hearth appliance control module. The receiver instruction may not be independent when part of the IFC.



Figure 3: Battery Compartment

Temperature indication Display

With the system in the "OFF" position, press the Thermostat Key and the Mode Key at the same time. Look at the LCD screen on the transmitter to verify that a C or F is visible to the right of the room temperature display (Figures 4 & 5).

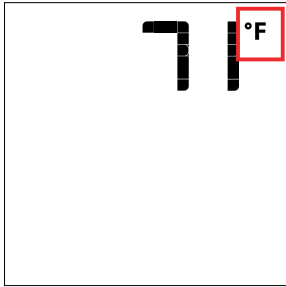


Figure 4: Remote Control display in Fahrenheit.

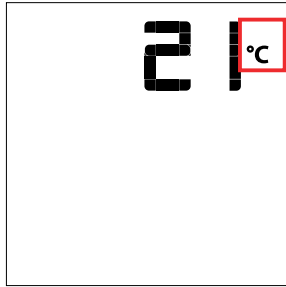


Figure 5: Remote Control display in Celsius.

Turn on the Appliance

With the system OFF, press the ON/OFF Key on the Transmitter. The Transmitter display will show some other active icons on the screen. At the same time the Receiver will activate the appliance. A single "beep" from the Receiver will confirm reception of the command.

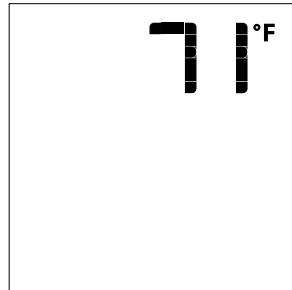


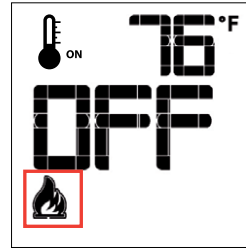
Figure 6: Remote Control display

Turn off the Appliance

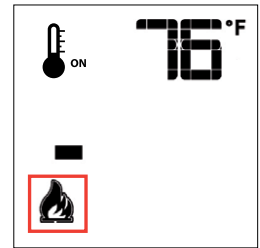
With the system ON, press the ON/OFF Key on the Transmitter. The Transmitter LCD display will only show the room temperature (Fig. 6). At the same time the Receiver will turn off the appliance. A single "beep" from the Receiver confirms reception of the command.

Remote-Flame Control

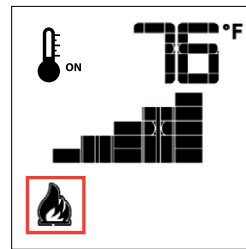
The Proflame has six (6) flame levels. With the system on, and the flame level at the maximum in the appliance, pressing the Down Arrow Key once will reduce the flame height by one step until the flame is turned off. The Up Arrow Key will increase the flame height each time it is pressed. If the Up Arrow Key is pressed while the system is on but the flame is off, the flame will come on in the high position. (Fig. 7 & 8) A single "beep" will confirm reception of the command.



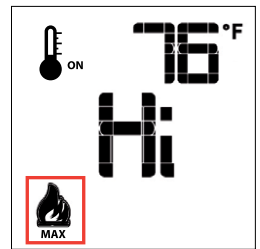
Flame Off



Flame Level 1



Flame level 5



Flame Level Maximum

Fig. 7

Fig. 8

Room Thermostat (Transmitter Operation)

The Remote Control can operate as a room thermostat. The thermostat can be set to a desired temperature to control the comfort level in a room. To activate this function, press the Thermostat Key (Fig. 1). The Lcd display on the Transmitter will change to show that the room thermostat is "ON" and the set temperature is now displayed (Fig. 9). To adjust the set temperature, press the Up or Down Arrow Keys until the desired set temperature is displayed on the LCD screen of the Transmitter.

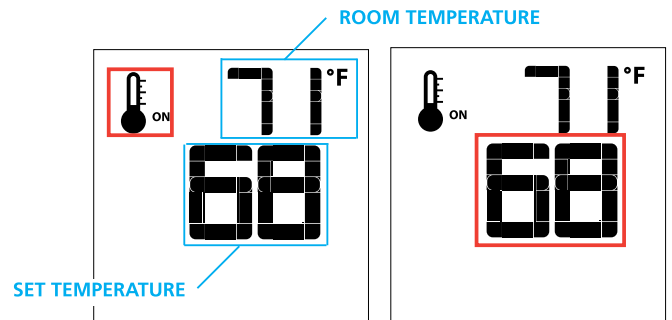


Figure 9

Figure 10

Smart Thermostat (Transmitter Operation)

The Smart Thermostat function adjusts the flame height in accordance to the difference between the set point temperature and the actual room temperatures. As the room temperature gets closer to the set point the Smart Function will modulate the flame down.

To activate this function, press the Thermostat Key (Fig. 1) until the word "SMART" appears to the right of the temperature bulb graphic (Fig. 11). To adjust the set temperature, press the Up or Down Arrow Keys until the desired set temperature is displayed on the LCD screen of the Transmitter (Fig. 12).

Note: When Smart Thermostat is activated, manual flame height adjustment is disabled.

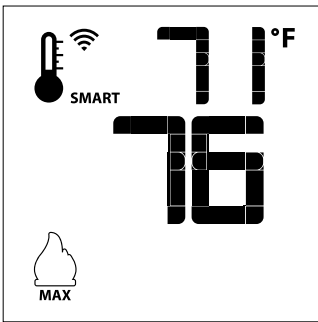


Figure 11: Smart Flame Function

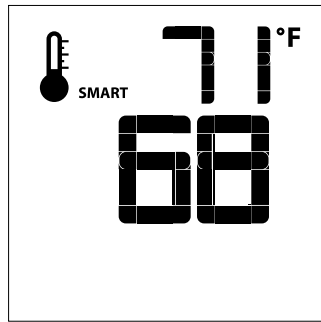


Figure 12

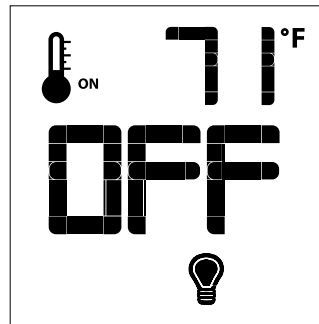


Figure 15

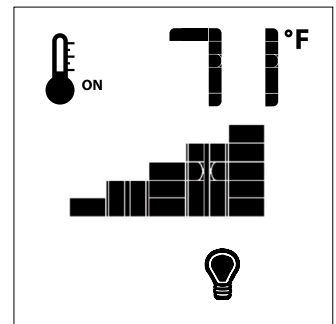


Figure 16

Remote dimmer control (Light)**

The auxiliary function controls the AUX power outlet by the dimmable light control. To activate this function use the Mode Key (fig. 1) to index to the AUX icon (fig. 15 & 16).

The intensity of the output can be adjusted through six (6) levels. Use the Up/Down Arrow Keys (fig.1) adjust the output level (fig. 16). A single "beep" will confirm reception of the command.

Note: This function is available only with the IFC Control Module.

Fan Speed Control**

If the appliance is equipped with a hot air circulating fan, the speed of the fan can be controlled by the Proflame system. The fan speed can be adjusted through six (6) speeds. To activate this function use the Mode Key (fig.1) to index to the fan control icon (Fig. 13). Use the Up/Down Arrow Keys (fig.1) to turn on, off or adjust the fan speed (fig. 14). A single "beep" will confirm reception of the command.

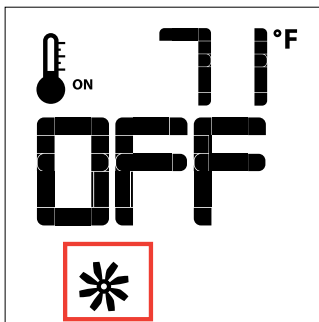


Figure 13

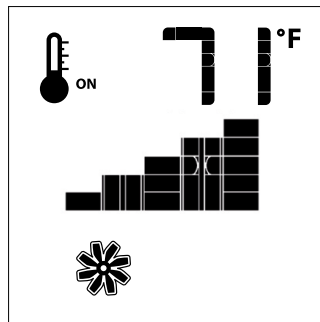


Figure 14

Split Flow control**

The secondary burner is controlled by the split Flow. To activate this function use the Mode Key (fig. 1) to index to the SPLIT FLOW mode icon (fig. 17 & 18).

Pressing the Up Arrow Key will activate the secondary burner. Pressing the Down Arrow Key will turn the secondary burner off. A single "beep" will confirm the reception of the command.

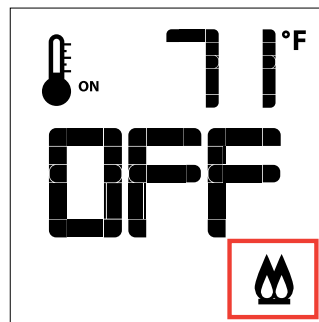


Figure 17

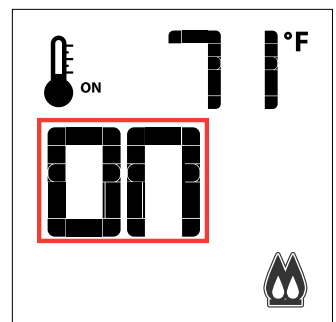


Figure 18

Continuous Pilot/Intermittent Pilot (CPI/IPI) selection

Note: Power vent models do not have a Continuous Pilot option.

With the system in "OFF" position press the Mode Key (fig. 1) to index to the CPI mode icon (fig. 19 & 20).

Pressing the Up Arrow Key will activate the Continuous Pilot Ignition mode (CPI). Pressing the Down Arrow Key will return to IPI. A single "beep" will confirm the reception of the command.

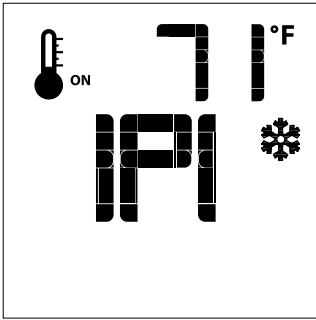


Figure 19

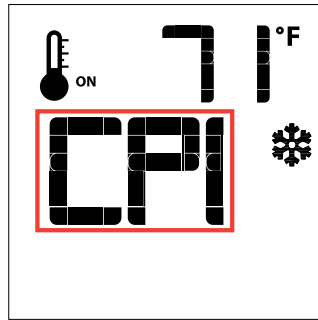


Figure 20

CPI/IPI SWITCH

This appliance comes equipped with a CPI/IPI switch. The functions of both the CPI/IPI switch are as follows:

Continuous pilot (CPI) - A pilot that when in operation, is intended to remain continuously ignited until it is manually interrupted.

Intermittent pilot (IPI) - A pilot that is automatically ignited when an appliance is called on to operate and which remains continuously ignited during each period of main burner operation. The pilot is automatically extinguished when each main burner operating cycle is completed. The mode of the fireplace is easily changed from an intermittent pilot ignition system (IPI) to a continuous pilot ignition system (CPI) by using remote control as noted above.

The benefits of having as CPI are as follows:

- Keeps venting primed for trouble free start-up under colder weather conditions or inversions.
 - Keeps the unit glass warm, which decreases the amount of condensation on start-up
 - Provides owners with flexibility to choose a traditional continuous pilot.
- The primary benefit of having the IPI function is a significant savings on fuel as the pilot will only run when there is a call for heat.

Thermostat Icon: If the thermostat icon is not present on the remote transmitter, follow instructions noted below:

1. Remove one battery from the remote.
2. Press and hold down the Thermostat button on the remote.
3. Reinstall the battery (removed in Step 1) while still holding down thermostat button.
4. If you see "Set" the thermostat option is now enabled. If you see "Clr" the thermostat option is now disabled.
5. Repeat the procedure if the "Set" or "Clr" to remove or add the option back to the remote did not appear.

Enable all other functions if not present on the remote transmitter, follow instructions noted below:

1. Remove one battery from remote.
2. Press and hold both the **ON/OFF** and **MODE** button at the same time .
3. Reinstall battery removed in Step 1 while holding both buttons—keep holding buttons, then release the **MODE** button only.
4. The screen will show either "Clr" or "Set" as the first option available is to disable or enable a mode.

5. "Clr" will remove a mode—use the up or down arrow while holding down **ON/OFF** and **MODE** (mode icon will disappear once removed).
6. Use the "**MODE**" button to move to the next function.
7. "Set" will add a mode —use the up or down arrow while holding down **ON/OFF** and **MODE** (mode icon will appear when added).
8. Use the "**MODE**" button to move to the next function.

Note: You should never program out the fan (if installed) or CPI/IPI mode on the remote.

KEY LOCK

This function will lock the keys to avoid unsupervised operation. To activate this function, press the MODE and UP Keys at the same time (fig. 21).

To de-activate this function, press the MODE and UP Keys at the same time.

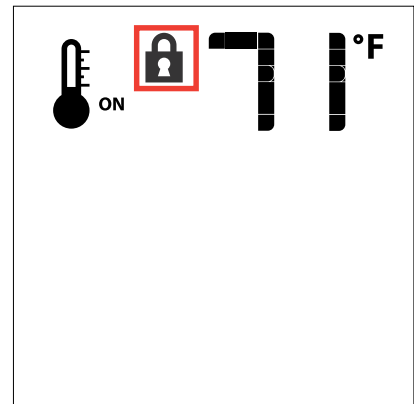


Figure 21

LOW BATTERY POWER DETECTION

Transmitter

The life span of the remote control batteries depends on various factors: quality of the batteries used, the number of ignitions of the appliance, the number of changes to the room thermostat set point, etc. When the Transmitter batteries are low, a Battery Icon will appear on the LCD display of the Transmitter (Fig. 22) before all battery power is lost. When the batteries are replaced this Icon will disappear.

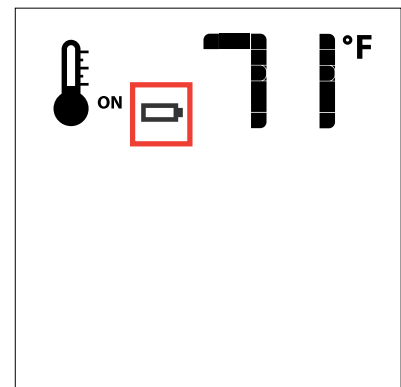


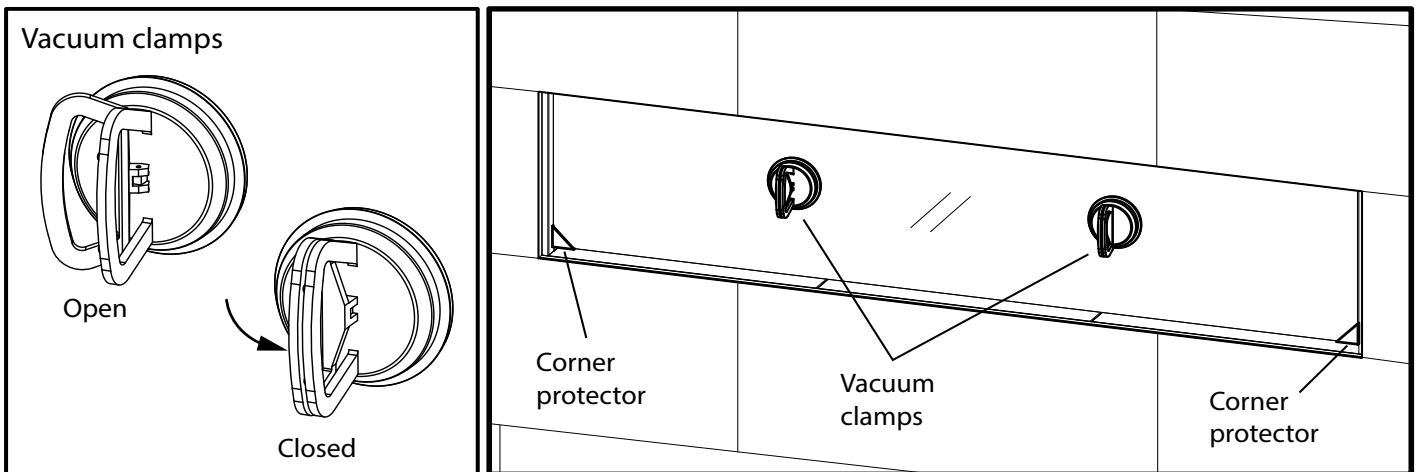
Figure 22

Glass Barrier Removal

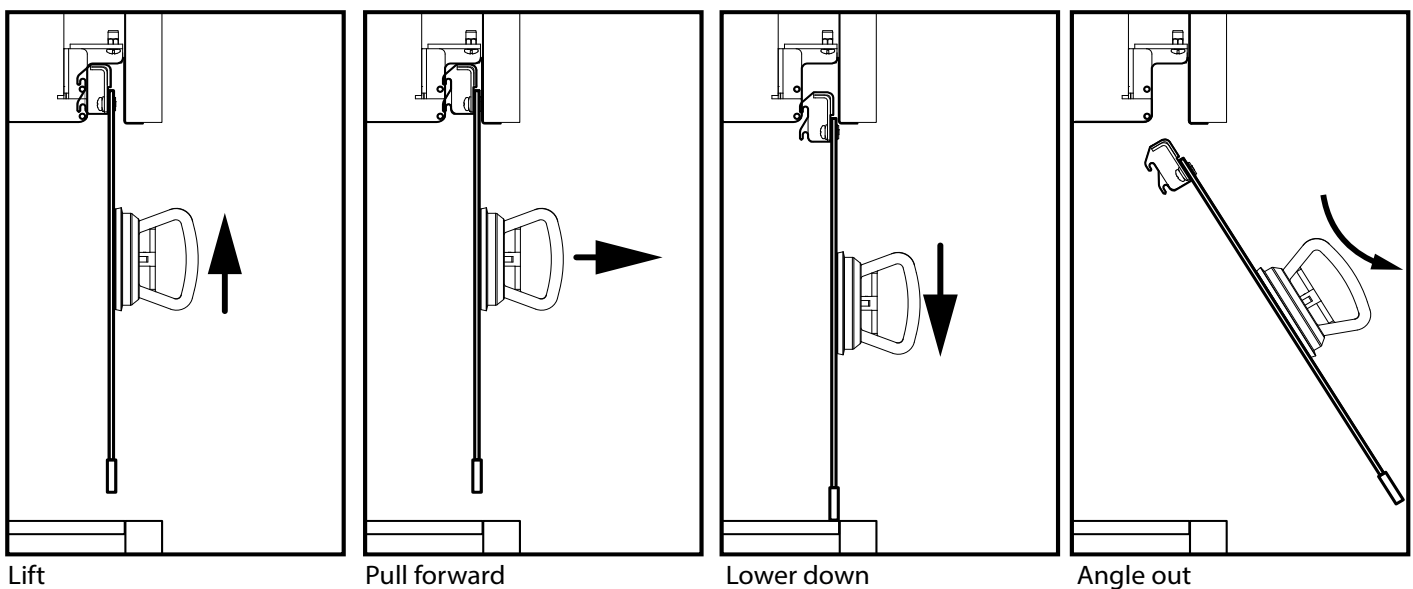


[Glass barrier removal video](#)

1. Prepare a soft, scratch resistant surface to place the 70-3/8" x 15-1/4" glass (i.e. large sheet or clean drop cloth).
2. Attach the vacuum clamps to the glass as shown. Press the vacuum clamps against the glass, then close the clamps while maintaining pressure on the glass.
3. Slide the corner protectors onto the bottom corners of the glass. If you don't have these, place a soft cloth or piece of cardboard under the glass barrier to protect the corners during removal.



4. Using the vacuum clamps, lift the barrier straight up, pull it toward you, then gently lower it straight down (see below).



5. Angle the bottom edge toward you and carefully lift the glass barrier out, placing it on your prepared soft, scratch resistant surface (i.e. drop cloth).
6. To reinstall, reverse steps.

Inner glass panel (firebox glass) Installation / removal

Note: glass panels must be installed to operate fireplace

WARNING: GLASS HANDLING

We recommend using the glass vacuum holders supplied by the manufacturer. Lower the glass to rest in a safe place, this is to prevent damage to the glass edges. Extra care must be taken when removing/installing the glass. Breakage or damage to the edge of the glass which occurs as a result of careless handling will not be covered under warranty.

- We recommend handling the glass with supplied vacuum clamps
- When removing glass—prepare a soft, scratch resistant surface to place the 70-3/8"x15-1/4" glass
- Never clean or remove hot glass

Note: The suction cups may leave a round film on the glass when used. Ensure that the glass is cleaned using a fireplace glass cleaner after each removal and prior to operating the appliance.

1. Remove outer safety barrier glass panels if previously installed—see instructions in this manual.
2. Remove outer panels installed in unit - see panel removal section in this manual.

Press glass vacuum clamps in open position firmly onto surface of glass. Bring handles together to close.



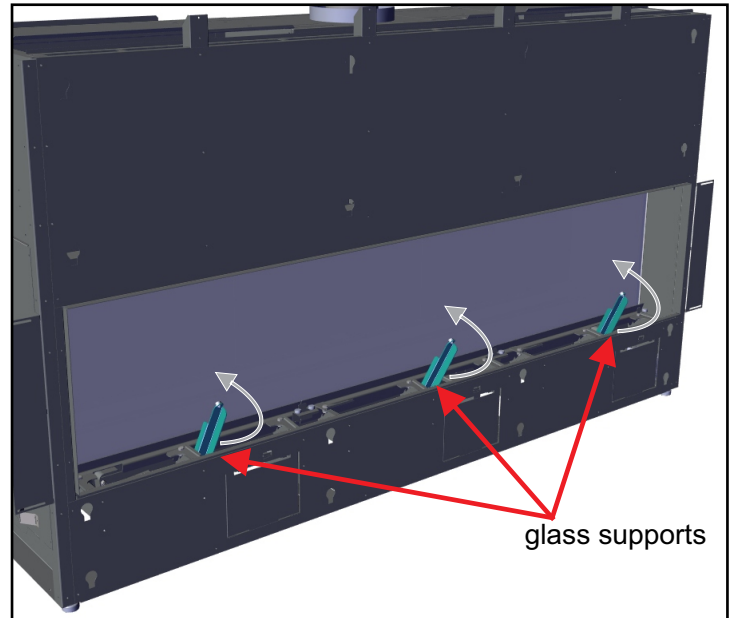
Handle glass with supplied vacuum clamps



[Glass removal video](#)

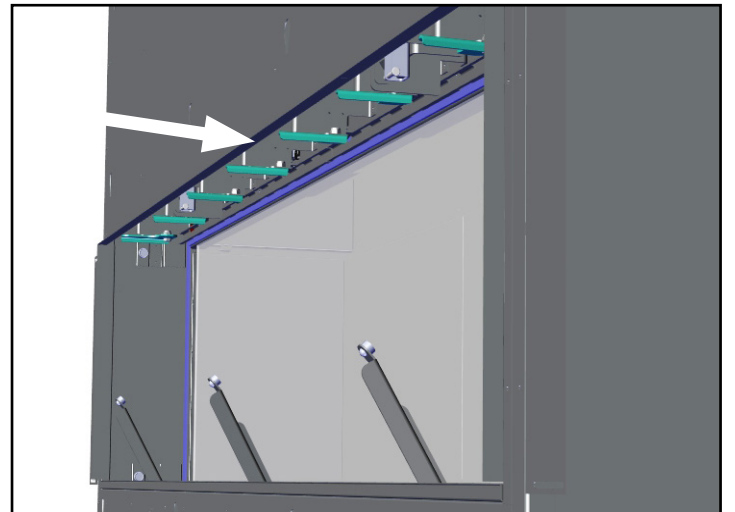
Note--the following installation diagrams do not include the vacuum clamps but it is strongly recommended to use clamps at all times when handling the firebox glass.

3. From the front inside lower panel of the unit--pivot the 3 glass supports into upright position as shown below.

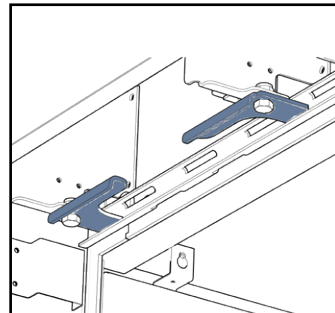


Glass supports in upright position

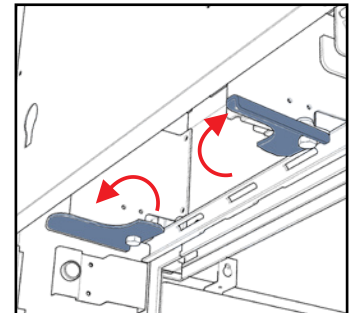
4. Open the 8 clamps at the top of the glass.



Top clamps in open position

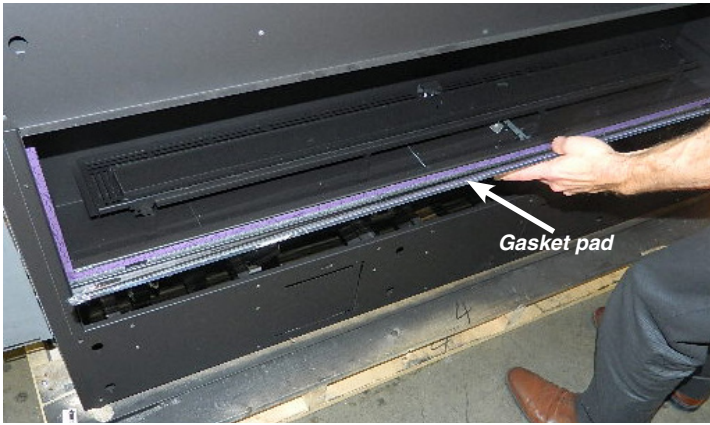


Clamps in closed position

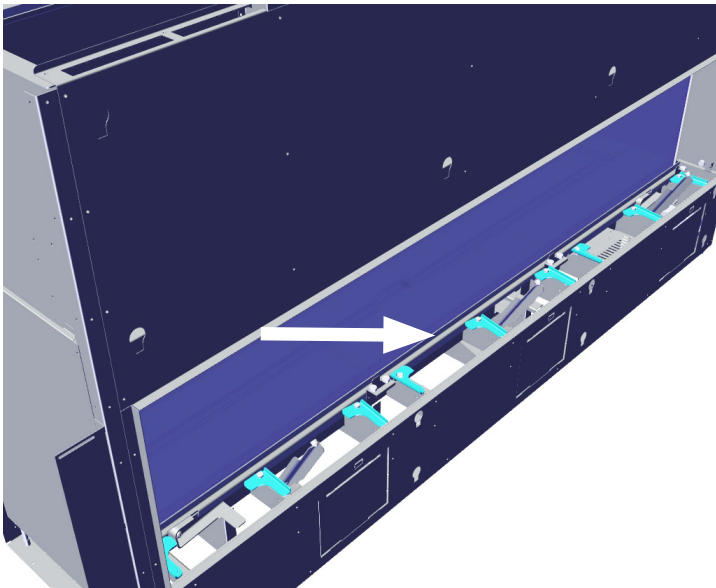


Clamps in open position

5. Pull the 3 lower glass gasket pads forward to release the glass.

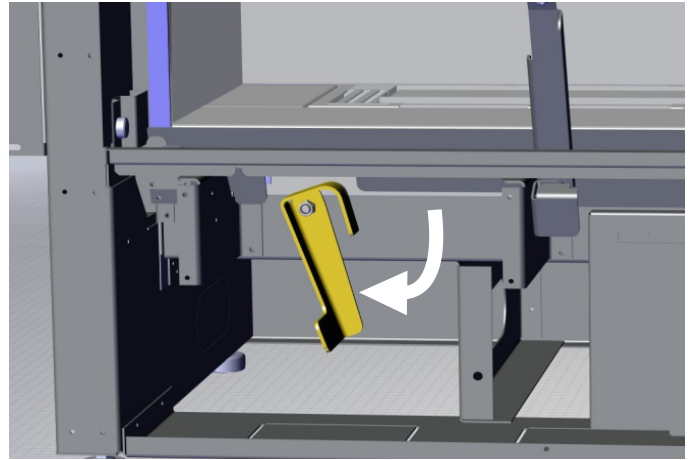
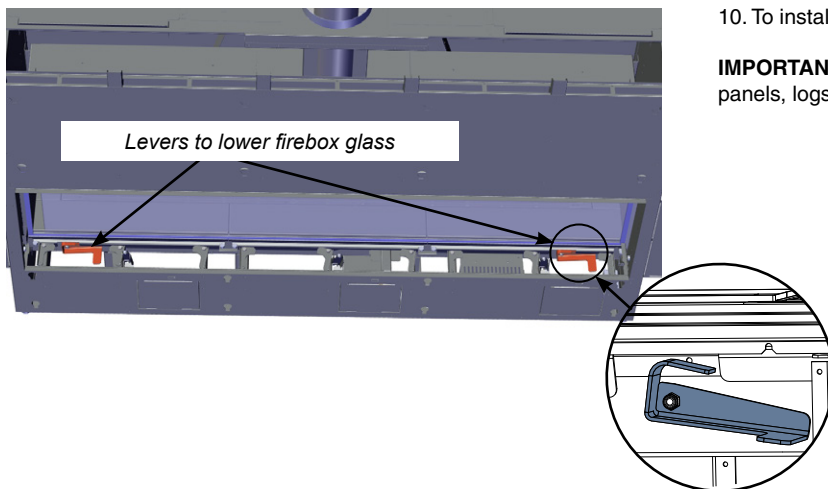


6. Support the glass with one hand and open the 9 lower clamps.



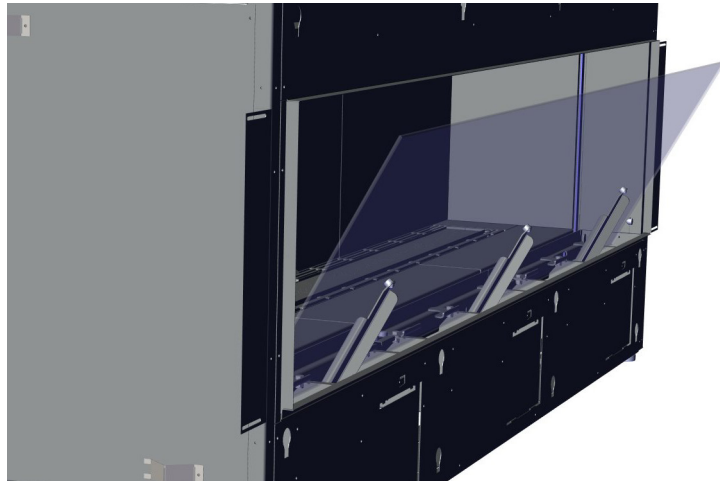
Lower clamps (x9) in open position

7. Locate the 2 levers below the glass and turn them both 90° in a clockwise direction to lower the firebox glass panel.



Push down on levers to lower glass panel

8. Carefully lean glass forward onto supports.



Glass panel--leaning on supports

NOTE: The firebox glass may remain propped on the glass supports to clean the interior surface. Use care when cleaning -- do not apply excessive force or pressure.

9. To remove the firebox glass panel from the unit: tilt the glass forward gently onto the glass supports, grip both suction clamps and lift the glass up and out of the unit.

10. To install glass--reverse steps.

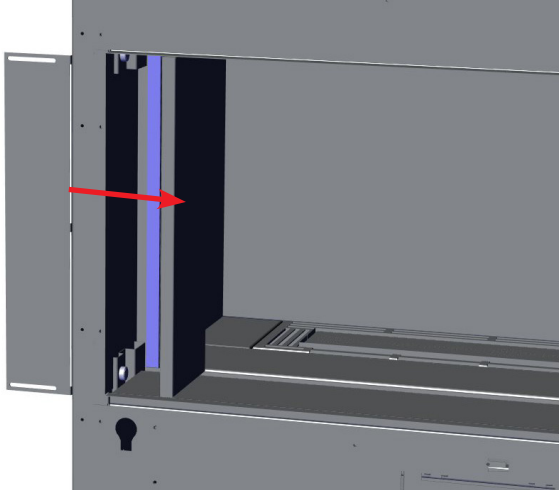
IMPORTANT: Remove glass panel completely when installing or removing panels, logs, media, etc. to avoid causing any damage to the glass.

owner's information

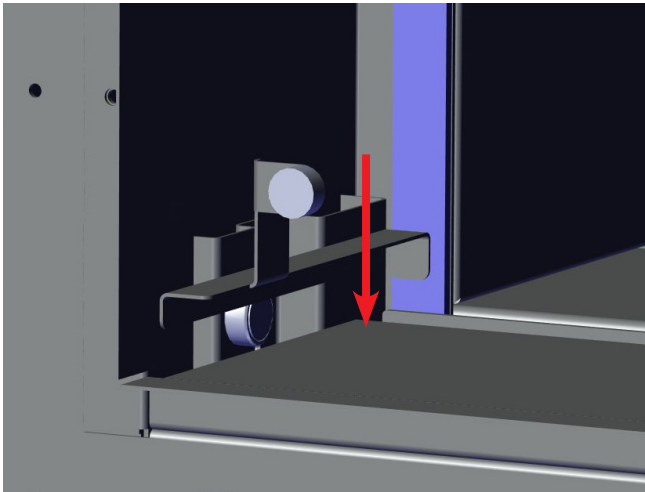
optional barrier glass stoppers installation / removal

There are 2 optional stoppers included in the manual pack which provide additional support to the glass barrier, if desired--install the stoppers prior to installation of the barrier glass.

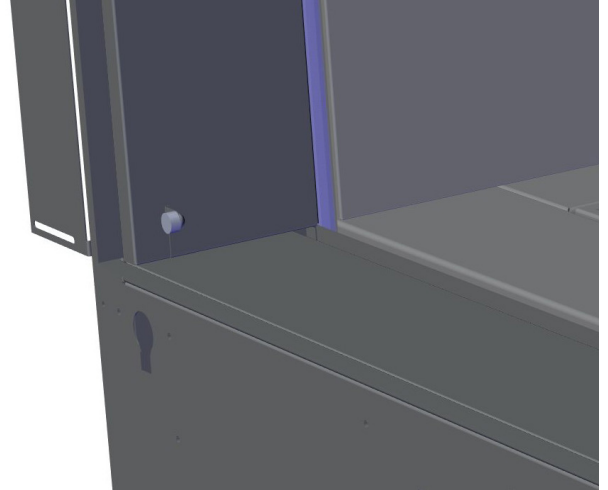
1. If already installed, remove the side panel by pulling off and lifting out.



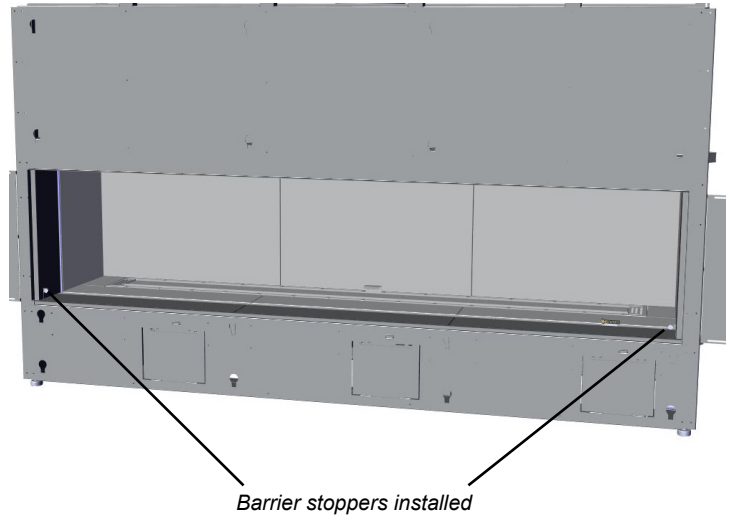
2. Slide the stopper bracket in between the front panel and the unit wall as shown.



3. Reinstall the side panel.



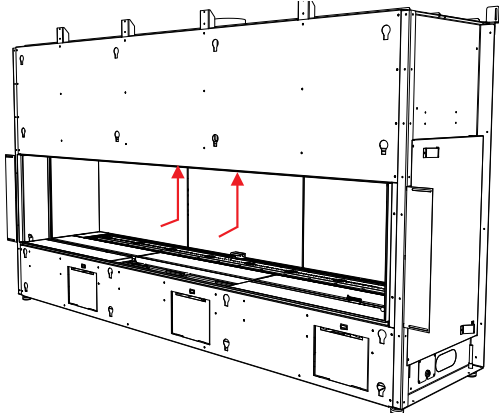
4. Repeat steps 1-3 on the opposite side.



5. Proceed to installation of the barrier glass.

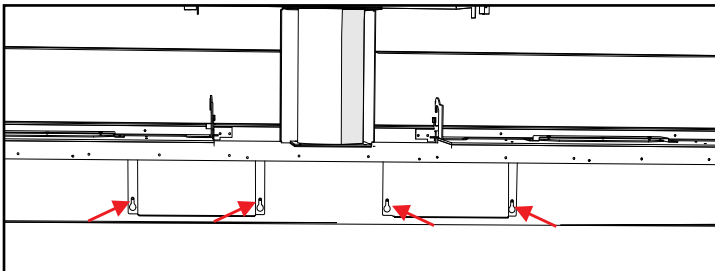
Bulb Replacement

1. Turn off power and gas to unit and allow to cool to room temperature.
2. Remove outer safety glass panels and inner panels (firebox glass)—see instructions in this manual.



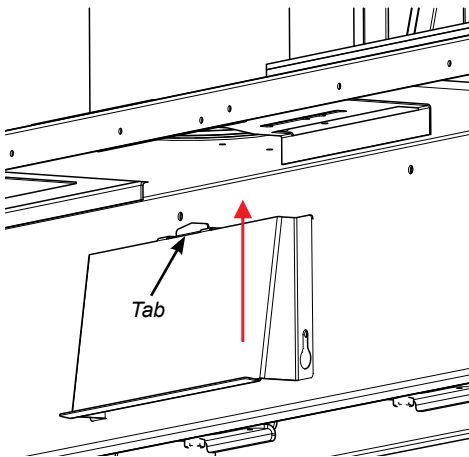
Light are located behind the front face of the unit

3. Loosen 2 outer screws on each side to remove outer light cover — located in the upper inside front of the firebox..



Outer light covers shown from back of unit (back made transparent)

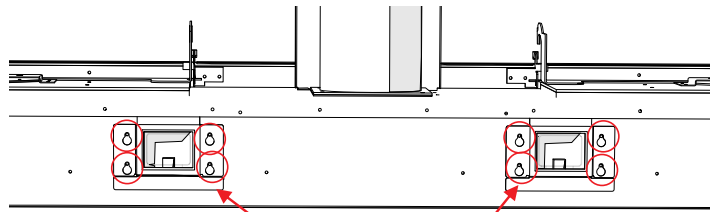
4. Lift outer light covers up off tabs to remove.



5. Loosen 2 screws on each side of individual inner light cover and remove.
6. Replace bulb and reverse steps to complete procedure.

NOTE: Do not handle bulb with bare hands. Use packaging or a tissue to hold new bulb when replacing.

Regency Part# 911-208 Oven Lamp Assembly G9 120V/25W
 Regency Part# 911-072_Replacement Bulb G9 120 Volt/25 watt



Inner Light Covers

Inner light covers shown from back of unit (back made transparent)

owner's information

Maintenance Instructions

1. Always turn off the gas valve before cleaning. For relighting, refer to lighting instructions. Keep the burner and control compartment clean by brushing and vacuuming at least once a year. When cleaning the logs, use a soft clean paint brush as the logs are fragile and easily damaged.
2. Clean appliance and door with a damp cloth (never when unit is hot). Never use an abrasive cleaner. The glass should be cleaned with a gas fireplace glass cleaner. **The glass should be cleaned when it starts looking cloudy.**
3. The fireplace is finished in a heat resistant paint and should only be refinished with heat resistant paint. Regency® uses StoveBright Paint - Metallic Black #6309.
4. Make a periodic check of burner for proper position and condition. Visually check the flame of the burner periodically, making sure the flames are steady; not lifting or floating. If there is a problem, call a qualified service person.
5. The appliance and venting system must be inspected before use, and at least annually, by a qualified field service person, to ensure that the flow of combustion and ventilation air is not obstructed.

Note: Never operate the appliance without the glass properly secured in place.

6. Do not use this appliance if any part has been under water. Immediately call a qualified service technician to inspect the appliance and to replace any part of the control system and any gas control which has been under water.
7. In the event this appliance has been serviced check that the vent-air system has been properly resealed & reinstalled in accordance with the manufacturer's instructions.
8. Verify operation after servicing.

General Vent Maintenance

Conduct an inspection of the venting system semi-annually. Recommended areas to inspect as follows:

1. Check the Venting System for corrosion in areas that are exposed to the elements. These will appear as rust spots or streaks, and in extreme cases, holes. These components should be replaced immediately.
2. Remove the Cap, and shine a flashlight down the Vent. Remove any bird nests, or other foreign material.

3. Check for evidences of excessive condensation, such as water droplets forming in the inner liner, and subsequently dripping out the joints, Continuous condensation can cause corrosion of caps, pipe, and fittings. It may be caused by having excessive lateral runs, too many elbows, and exterior portions of the system being exposed to cold weather.
4. Inspect joints, to verify that no pipe sections or fittings have been disturbed, and consequently loosened. Also check mechanical supports such as Wall Straps, or plumbers' tape for rigidity.

Log Replacement

The unit should never be used with broken logs. Turn off the gas valve and allow the unit to cool before opening door and carefully remove the logs. (The pilot light generates enough heat to burn someone.) If for any reason a log should need replacement, you must use the proper replacement log. The position of these logs must be as shown in the diagrams under Log Installation.

Note: Improper positioning of logs may create carbon build-up and will severely alter the unit's performance which is not covered under warranty.

Glass

Your Regency® fireplace is supplied with high temperature 5mm-Tempered outer glass & 5mm-Ceramic inner glass. If your glass requires cleaning, we recommend using an approved glass cleaner available at all authorized dealers. Do not use abrasive materials or ammonia based cleaners.

CAUTION & WARNINGS:

- * Do not clean when the glass is hot.
- * The use of substitute glass will void all product warranties.
- * Care must be taken to avoid breakage of the glass.
- * Do not strike or abuse the glass.
- * Do not operate this fireplace without the glass front or with a cracked or broken glass front.
- * Wear gloves and safety glasses when removing damaged or broken glass.
- * Replacement of the glass panels should be done by a licensed or qualified service person.

Glass replacement

In the event that you break your glass by impact, purchase your replacement from an authorized Regency dealer only. Replacement glass is shipped already installed into the door frame. Reinstall as per Glass Installation in the "Glass Installation" section.

REPLACEMENT GLASS:

CV72E

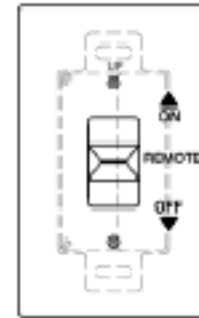
Outer Safety Glass- Tempered (Part#940-490/P)
Inner Glass - Ceramic (Part#940-450 /P)

Back Up Battery System

If 120 volt power is lost within the home, 4-AA batteries may be used in the battery box to operate the appliance. See wall mount ON/OFF switch and battery holder installation for location of 4-AA batteries as the battery box should be located in a convenient location on the wall.

The lights will not operate when 120 volt power is lost. The remote control may still be used as normal when power is lost.

Proflame Battery Holder



Receiver Wall Mount

MA Code - CO Detector
(for the State of Massachusetts only)

5.08: Modifications to NFPA-54, Chapter 10

(2) Revise 10.8.3 by adding the following additional requirements:

(a) For all side wall horizontally vented gas fueled equipment installed in every dwelling, building or structure used in whole or in part for residential purposes, including those owned or operated by the Commonwealth and where the side wall exhaust vent termination is less than seven (7) feet above finished grade in the area of the venting, including but not limited to decks and porches, the following requirements shall be satisfied:

1. **INSTALLATION OF CARBON MONOXIDE DETECTORS.** At the time of installation of the side wall horizontal vented gas fueled equipment, the installing plumber or gasfitter shall observe that a hard wired carbon monoxide detector with an alarm and battery back-up is installed on the floor level where the gas equipment is to be installed. In addition, the installing plumber or gasfitter shall observe that a battery operated or hard wired carbon monoxide detector with an alarm is installed on each additional level of the dwelling, building or structure served by the side wall horizontal vented gas fueled equipment. It shall be the responsibility of the property owner to secure the services of qualified licensed professionals for the installation of hard wired carbon monoxide detectors

a. In the event that the side wall horizontally vented gas fueled equipment is installed in a crawl space or an attic, the hard wired carbon monoxide detector with alarm and battery back-up may be installed on the next adjacent floor level.

b. In the event that the requirements of this subdivision can not be met at the time of completion of installation, the owner shall have a period of thirty (30) days to comply with the above requirements; provided, however, that during said thirty (30) day period, a battery operated carbon monoxide detector with an alarm shall be installed.

2. **APPROVED CARBON MONOXIDE DETECTORS.** Each carbon monoxide detector as required in accordance with the above provisions shall comply with NFPA 720 and be ANSI/UL 2034 listed and IAS certified.

3. **SIGNAGE.** A metal or plastic identification plate shall be permanently mounted to the exterior of the building at a minimum height of eight (8) feet above grade directly in line with the exhaust vent terminal for the horizontally vented gas fueled heating appliance or equipment. The sign shall read, in print size no less than one-half (1/2) inch in size, "**GAS VENT DIRECTLY BELOW. KEEP CLEAR OF ALL OBSTRUCTIONS**".

4. **INSPECTION.** The state or local gas inspector of the side wall horizontally vented gas fueled equipment shall not approve the installation unless, upon inspection, the inspector observes carbon monoxide detectors and signage installed in accordance with the provisions of 248 CMR 5.08(2)(a)1 through 4.

(b) **EXEMPTIONS:** The following equipment is exempt from 248 CMR 5.08(2)(a)1 through 4:

1. The equipment listed in Chapter 10 entitled "Equipment Not Required To Be Vented" in the most current edition of NFPA 54 as adopted by the Board; and

2. Product Approved side wall horizontally vented gas fueled equipment installed in a room or structure separate from the dwelling, building or structure used in whole or in part for residential purposes.

(c) **MANUFACTURER REQUIREMENTS - GAS EQUIPMENT VENTING SYSTEM PROVIDED.** When the manufacturer of Product Approved side wall horizontally vented gas equipment provides a venting system design or venting system components with the equipment, the instructions provided by the manufacturer for installation of the equipment and the venting system shall include:

1. Detailed instructions for the installation of the venting system design or the venting system components; and

2. A complete parts list for the venting system design or venting system.

(d) **MANUFACTURER REQUIREMENTS - GAS EQUIPMENT VENTING SYSTEM NOT PROVIDED.** When the manufacturer of a Product Approved side wall horizontally vented gas fueled equipment does not provide the parts for venting the flue gases, but identifies "special venting systems", the following requirements shall be satisfied by the manufacturer:

1. The referenced "special venting system" instructions shall be included with the appliance or equipment installation instructions; and

2. The "special venting systems" shall be Product Approved by the Board, and the instructions for that system shall include a parts list and detailed installation instructions.

(e) A copy of all installation instructions for all Product Approved side wall horizontally vented gas fueled equipment, all venting instructions, all parts lists for venting instructions, and/or all venting design instructions shall remain with the appliance or equipment at the completion of the installation.

installer's information

General Safety Information

1. The appliance installation must conform with local codes or, in the absence of local codes, with the current Canadian or National Gas Codes, CAN1-B149 or ANSI Z223.1 Installation Codes.
2. See general construction and assembly instructions. The appliance and vent should be enclosed.
3. This appliance must be connected to the specified vent and termination cap to the outside of the building envelope. Never vent to another room or inside a building. Make sure that the vent is fitted as per Venting instructions.
4. Inspect the venting system annually for blockage and any signs of deterioration.
5. Venting terminals shall not be recessed into a wall or siding.
6. Any safety glass removed for servicing must be replaced prior to operating the appliance.
7. To prevent injury, do not allow anyone who is unfamiliar with the operation to use the fireplace.
8. Wear gloves and safety glasses for protection while doing required maintenance.
9. Be aware of electrical wiring locations in walls and ceilings when cutting holes for termination.
10. Under no circumstances should this appliance be modified. Parts that have to be removed for servicing should be replaced prior to operating this appliance.
11. Installation and any repairs to this appliance should be done by a qualified service person. A professional service person should be called to inspect this appliance annually. Make it a practice to have all of your gas appliances checked annually.
12. Do not slam shut or strike the glass door.
13. Under no circumstances should any solid fuels (wood, paper, cardboard, coal, etc.) be used in this appliance.
14. The appliance area must be kept clear and free of combustible materials, (gases and other flammable vapours and liquids).

Installation Checklist

1. Locate appliance. Refer to the following sections:
 - a) Locating Your Fireplace
 - b) Clearances
 - c) Combustible Mantel Clearances
 - d) Framing & Finishing
 - e) Venting. See the "Venting Introduction" to "Venting Arrangements" sections.
2. Assemble Standoffs. Refer to the "Unit Assembly Prior to Installation" section. (NOTE: must be done before installing unit into fireplace.)
3. Install vent. See the "Horizontal Installations" to "Installation Procedures" sections.
4. Install 4 AA batteries into receiver battery box. Hook receiver to wiring marked receiver, this will enable operation of the appliance manually when position in "ON" position.

Note: The wire harness (marked receiver) is located near the gas valve and will need to be routed to the exterior of the fireplace from either the left or right hand side of the appliance prior finishing.
5. Bring 120 volt power to appliance. Required to operate lights and highly recommended to operate gas valve. AA Batteries serve as back up only if 120 volt power is lost.
6. Make gas connections. Test the pilot. Must be as per diagram. Refer to the "Gas Line Installation" & "Pilot Adjustment" sections.
7. Install standard and optional features. Refer to the following sections where applicable:
 - a. Barrier Safety Glass
 - b. Firebox (inner) glass
 - c. Log Set
 - d. Fireglass
 - e. Ceramic stones or other approved media
 - f. Painted, enamel, or glass panels (panels required)
 - g. Heatwave Kit
8. Plug 3 prong plug for the lights into the receptacle. The 3 prong plug will be located near the gas valve on the appliance.
9. Final check.

Before leaving this unit with the customer, the installer must ensure that the appliance is firing correctly and operation fully explained to customer.

This includes:

1. Clocking the appliance to ensure the correct firing rate (rate noted on label 46,500 Btu/h NG/ 45,500 Btu/h LP) after burning appliance for 15 minutes.
2. If required, adjusting the primary air to ensure that the flame does not carbon. First allow the unit to burn for 15-20 min. to stabilize.

CAUTION: Any alteration to the product that causes sooting or carboning that results in damage is not the responsibility of the manufacturer.



Heatwave Duct System Optional kit

The **HeatWave** Air Duct Kit increases the effectiveness of your fireplace by dispersing warm air from the fireplace to remote locations in the same room or other rooms in your home.

Up to two kits may be installed on the fireplace.

The **HeatWave** Duct Kit has different clearance and framing requirements, check the **HeatWave** manual for details.

Locating Your Gas Fireplace

1. When selecting a location for your fireplace, ensure that the clearances are met.
2. The appliance must be installed on a flat, solid, continuous surface. For example a wood, metal or concrete floor or in a raised (on the wall) application. The appliance must be installed on a metal or wood panel extending the full width and depth of the appliance.
3. The CV72E Direct Vent Gas Fireplace can be installed in a recessed position or framed out into the room as in A, B, C, and D. See Diagram 1.

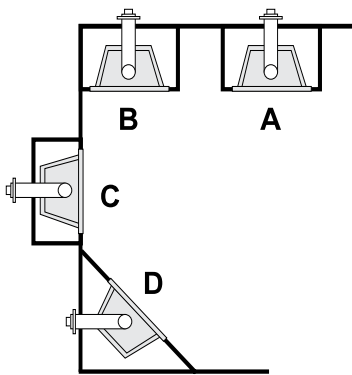


Diagram 1

- A) Flat on Wall-CV72E
- B) Flat on Wall Corner-CV72E
- C) Recessed into Wall/Alcove-CV72E
- D) Corner-CV72E

4. For bedroom installations, check with local codes before installation. This appliance is offered with a remote control.
5. The CV72E Direct Vent Gas Fireplace is approved for alcove installations, see "Clearances" section for details.
6. We recommend that you plan your installation on paper using exact measurements for clearances and floor protection before actually installing this appliance. Have an authorized inspector, dealer, or installer review your plans before installation.

Note: For vent terminations refer to "Exterior Vent Termination Locations" section.

installation

Unit Assembly Prior to Installation

Before you start

Removing the unit from the pallet

Remove the screws securing the unit to the pallet

Due to the size and weight (529 pounds shipping weight) of the CV72E--lifting and moving the unit will require 4 people.

Place a length (long enough to get a solid grip on each side) of 2 x 4 under the handle on each side.

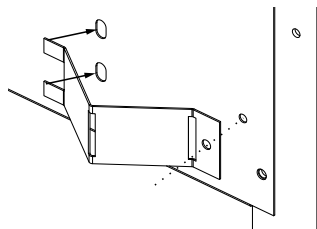
Lift and move the unit carefully.

Note: When in position, the handles may be removed from the unit by removing 6 screws on each handle. Ensure that when the handles are removed that the screws are put back into place in all 12 holes locations where the handle had been previously (6 per side). The handles can be recycled.

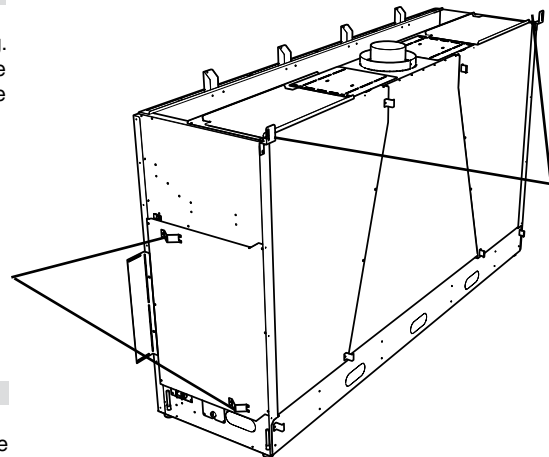


Side standoff assembly CV72E

The CV72E has 4 standoffs, 2 on each side that need assembly before installing. The standoffs are shipped in a flat position -- fold the standoff and install the standoff onto the unit by sliding the 2 tabs into the slots on the unit. Bend the tabs to secure. Secure opposite end of the standoff with one screw.



standoffs



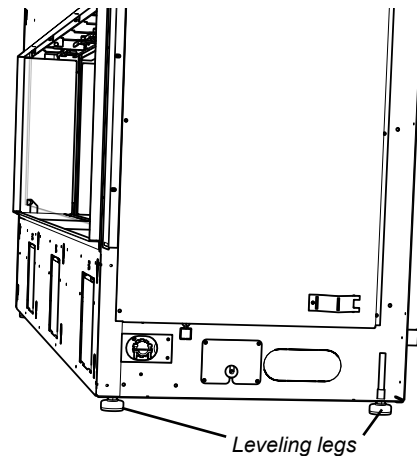
Top rear standoffs

Rear Standoffs CV72E

The 8 rear standoffs are already attached to the appliance. Do not remove these standoffs. The 2 top rear standoffs are designed so that screws can be used to secure the appliance to the rear wall if needed. Studs must be in this location if choosing to screw this into studs.

Leveling Legs

There are four levelling legs - two on each side that can be adjusted (with the supplied tool--found in the manual package) if required.

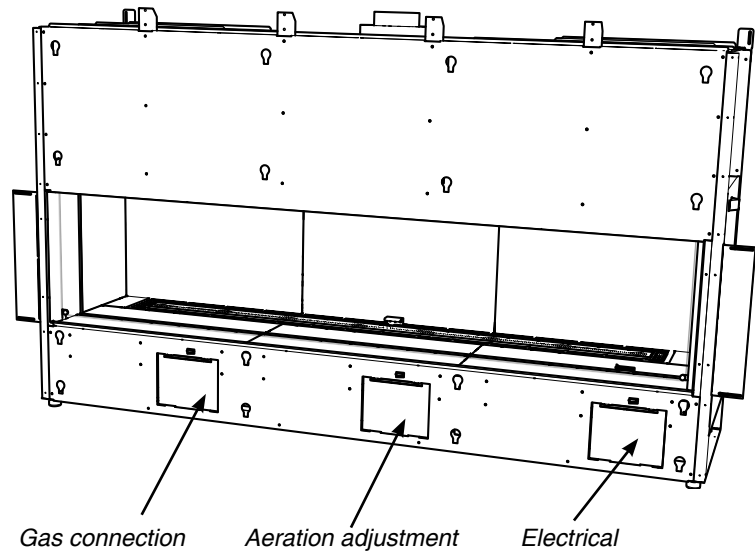


Leveling legs

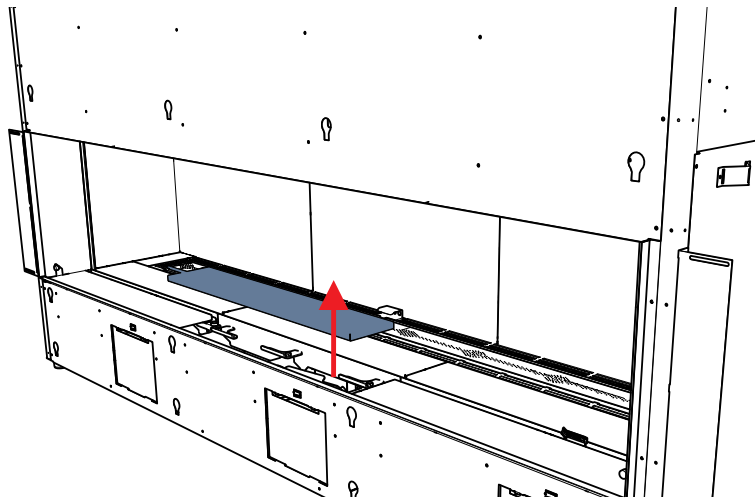
Access panel removal

The front access panels (x3) may be removed for ease of hooking up gas and electrical--prior to finishing. Once complete ensure that the access panel is reinstalled prior to any finishing. See locations in diagram to the right.

Note: Once the finished material is installed, these access panels are no longer accessible.



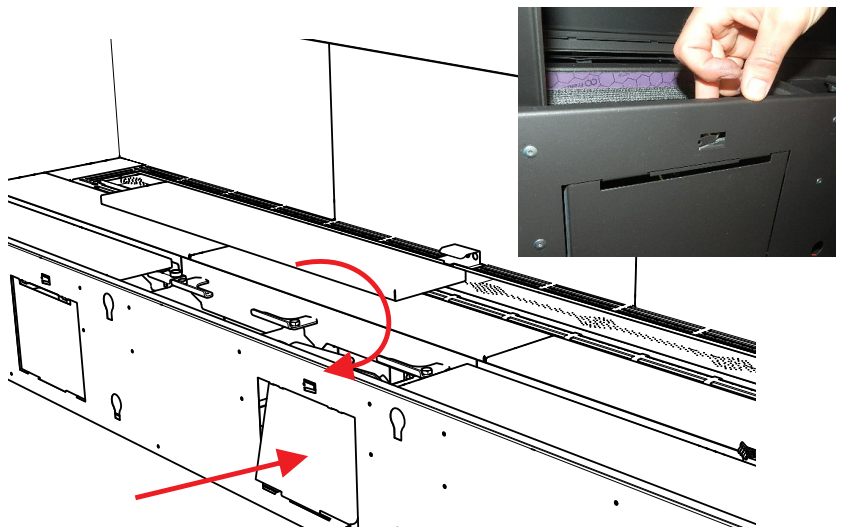
1. Identify access panel to be removed, remove corresponding outer trim panel by lifting up and off (centre panel shown below).



2. From inside the unit--push in tab to release the access panel at the top.

3. Push the access towards the inside of the unit, lift up from the bottom to release bottom tabs, when clear, lift out of unit.

4. Reverse steps to reinstall access panel.



installation

Clearances CV72E

The clearances listed below are Minimum distances unless otherwise stated:

A major cause of chimney related fires is failure to maintain required clearances (air space) to combustible materials. It is of the greatest importance that this fireplace and vent system be installed only in accordance with these instructions.

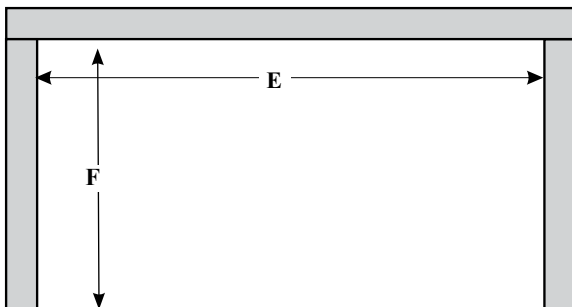
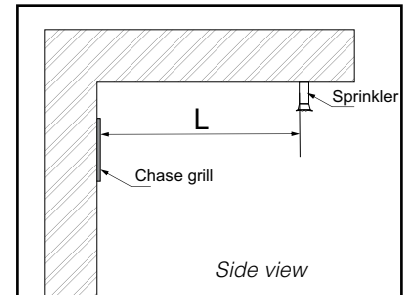
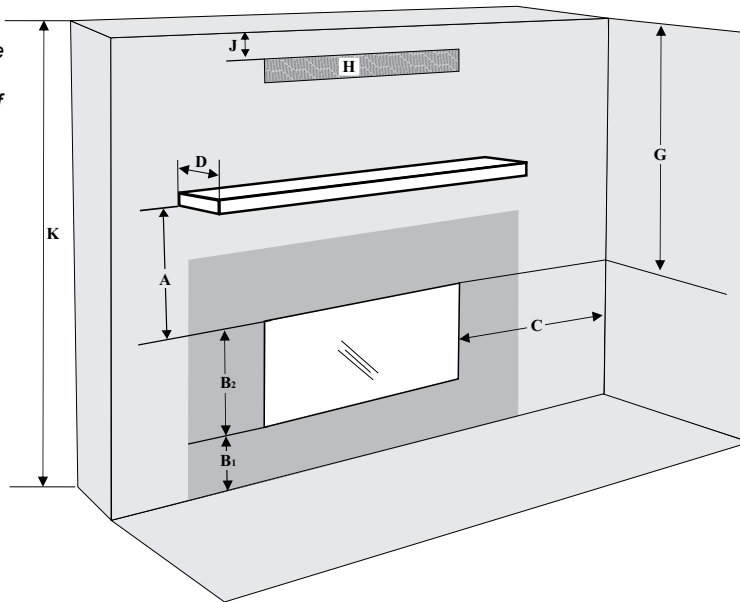
Clearance: single sided	Dimension	Measured From:
A: Mantel Height (min.)	**	Top of Fireplace Opening
B1: From Floor	min. 0"	Bottom of Fireplace Opening
B2: Opening Height	15-1/16" (383mm)	Bottom/Top of Fireplace Opening
C: Sidewall (on one side)	8" (203mm)	Side of Fireplace Opening
D: Mantel Depth (max.)	**	
E: Alcove Width	88" (2135mm)	Sidewall to Sidewall (Minimum)
F: Alcove Depth	36" (914mm)	Front to Unit (Maximum)
G: Ceiling (in front of fireplace)	61-3/4" (1568mm)	Top of Fireplace Opening
H: Convection Air Outlet	*288 square inches	
J: Convection Air Outlet Opening Offset	*0-2" (0-51mm)	Max. offset from top of chase enclosure
K: Chase Enclosure (Min.)	87" (2210mm)	From base of unit/floor
L: Clearance to Sprinkler Head (Min.)	36" (914mm)	Perpendicular from chase grill
Hearth	0"	No hearth required

** See mantel clearances chart in this manual.

Flue Clearances to Combustibles	
Horizontal - Top	3"
Horizontal - Side	2"
Horizontal - Bottom	2"
Vertical	2"
Passing through wall/floor/ceiling - when firestop is used.	1-1/2"

Note: This appliance uses 5" x 8" venting.

*A minimum of 288 square inches of open area, not lower than 0-2" from top of enclosure, required for all installations



Alcove



The **HeatWave** Duct Kit has different clearance and framing requirements, check the **HeatWave** manual for details.

Caution Requirements

The top, back and sides of the fireplace are defined by standoffs. The metal ends of the standoff may **NOT** be recessed into combustible construction.

WARNING

Fire hazard is an extreme risk if these clearances (air space) to combustible materials are not adhered to. It is of greatest importance that this fireplace and vent system be installed only in accordance with these instructions.

installation

Framing Dimensions CV72E

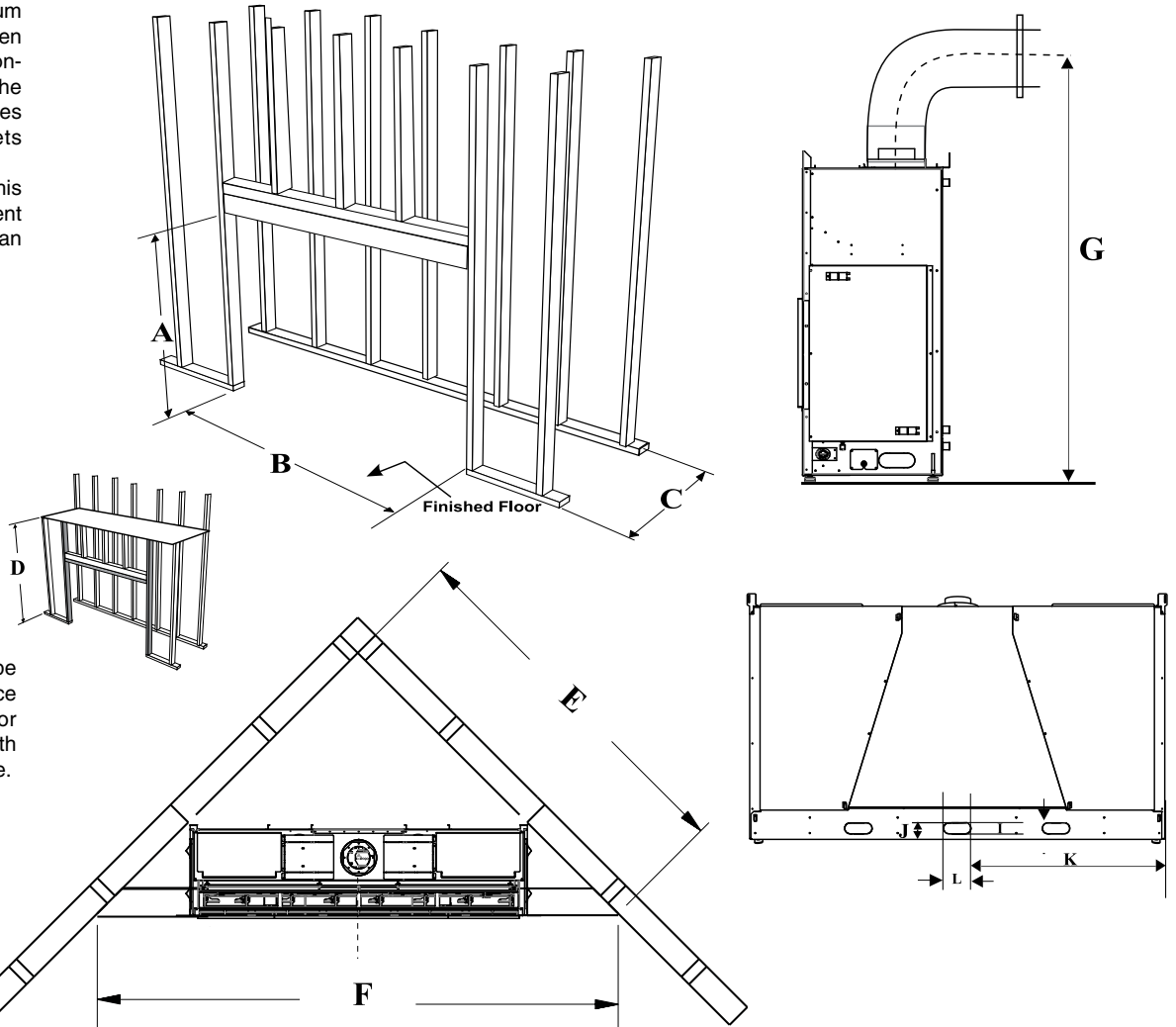
NOTE: Framing may be constructed of combustible material (ie. 2 x 4) and does not require steel studs.

Framing Dimensions	Description	CV72E
A	Framing Height	51" (1295mm)
B	Framing Width	78" (1981mm)
C	Framing Depth	20-5/8" (524mm)
D	Minimum Height to Combustibles	87"(2210mm)
E	Corner Wall Depth	82-1/8" (2086mm)
F	Corner Facing Wall Width	116-3/16" (2951mm)
G	Vent Centerline Height	55-1/4" (1403mm)
I	Gas Connection Opening Height	2" (51mm)
J	Gas Connection Height	3-7/8" (98mm)
K*	Gas Connection Inset-Centre Opening	36-1/4" (921mm)
L	Gas Connection Opening Width	5" (127mm)

* See next page for alternate Gas/ Electrical connection options

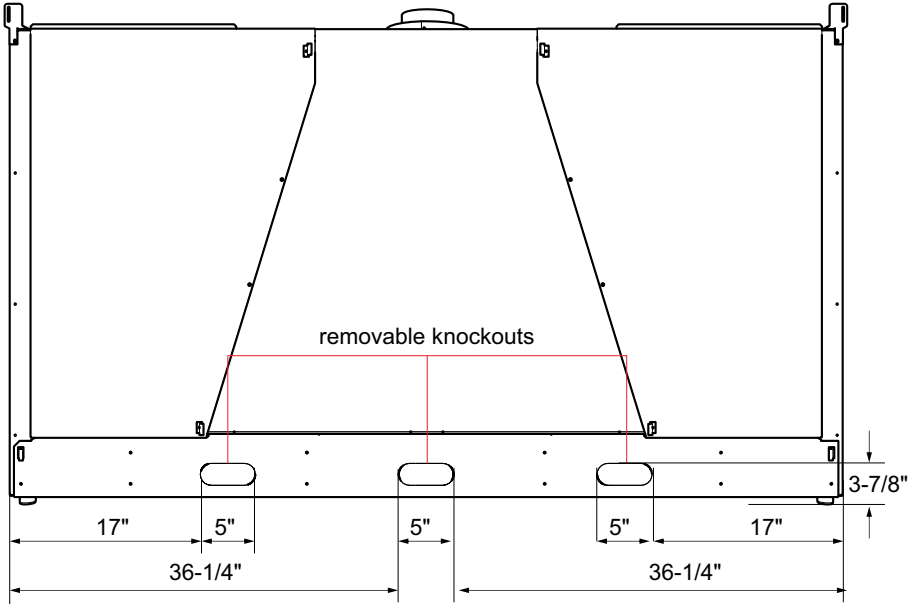
With the lift handles adding approximately 4 inches to the overall width of the appliance, in cases where the appliance would need to be raised off the ground in order to slide it into the framed opening, it is suggested that either the framing width change from 78" to 82" so that the appliance could be easily slid into position with the handles remaining on the appliance, or alternatively create a platform in front of the framed opening where the lift handles could be removed prior to sliding the appliance into its final position. Alternatively, if raised off the ground, the framing could be installed afterwards once appliance has been put into place and lift handles removed in order to keep the framing width at 78". Ensure that the wood base that the appliance will sit on is strong enough to support the full weight of this appliance. The overall weight of this appliance is 529 pounds (shipping weight).

Note: A combined minimum of 288 square inches of open area is required for the convection air outlet to cool the enclosure. Ensure clearances for Convection Air Outlets are met. See clearances CV72E in this manual as there are different methods as to how this can be achieved.

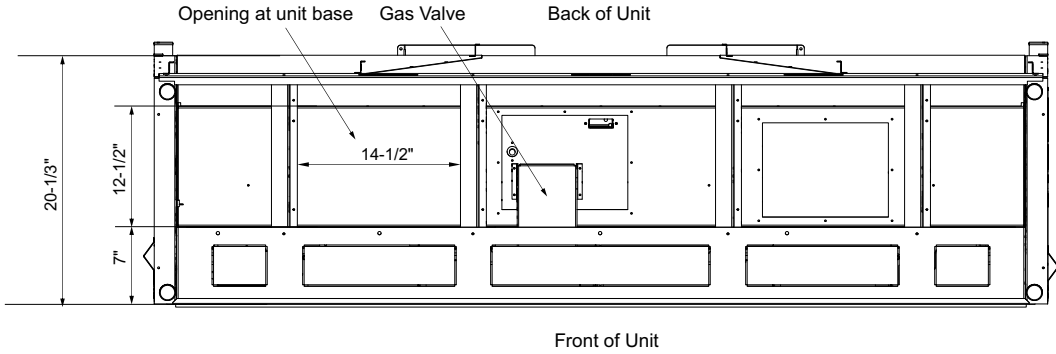


Note: This appliance must be installed on a solid surface such as a plywood floor which must be the full width and depth of the appliance.

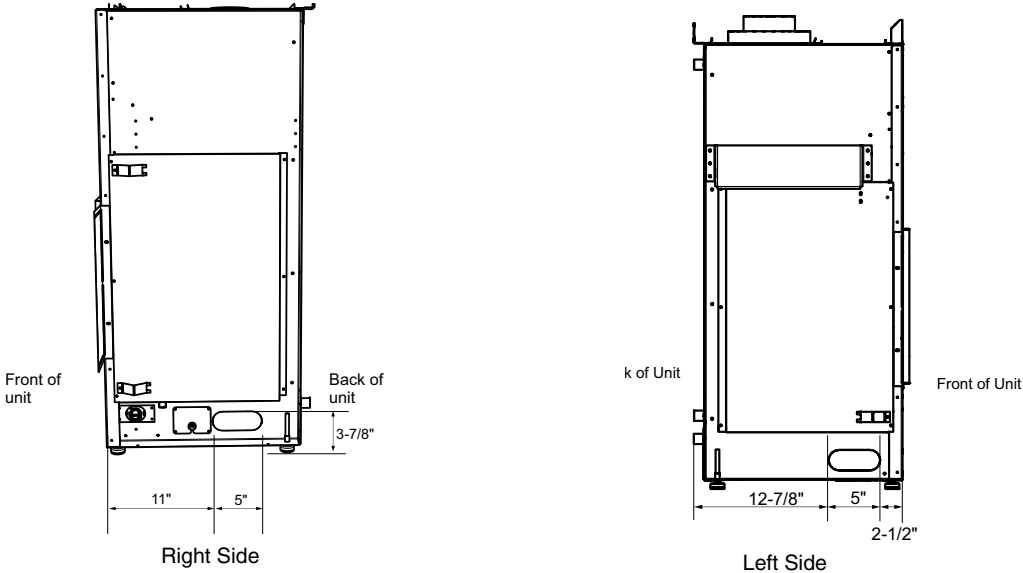
Gas Connection - back of unit



Gas Connection - bottom of unit

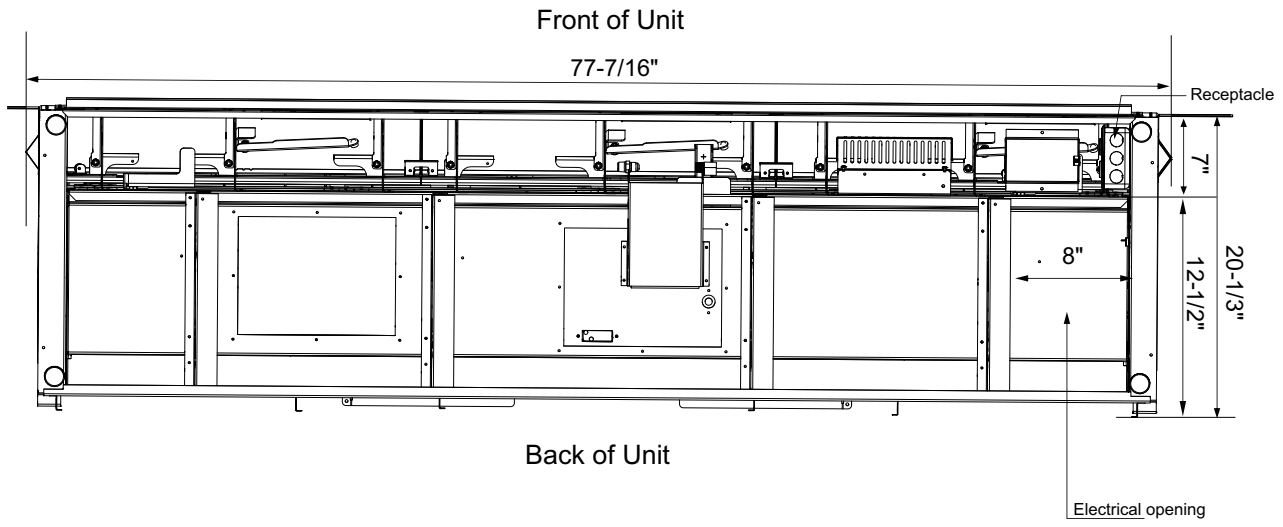


Gas Connection - side of unit

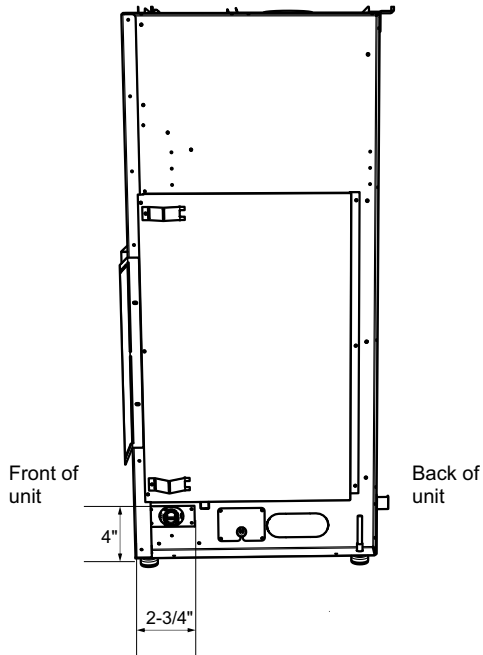


installation

Electrical Connection - bottom of unit

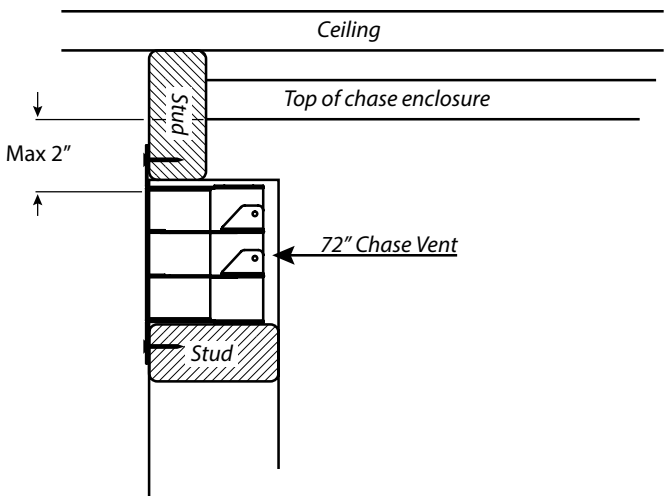
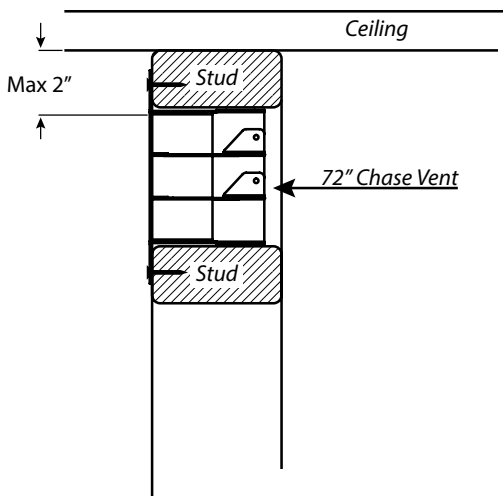
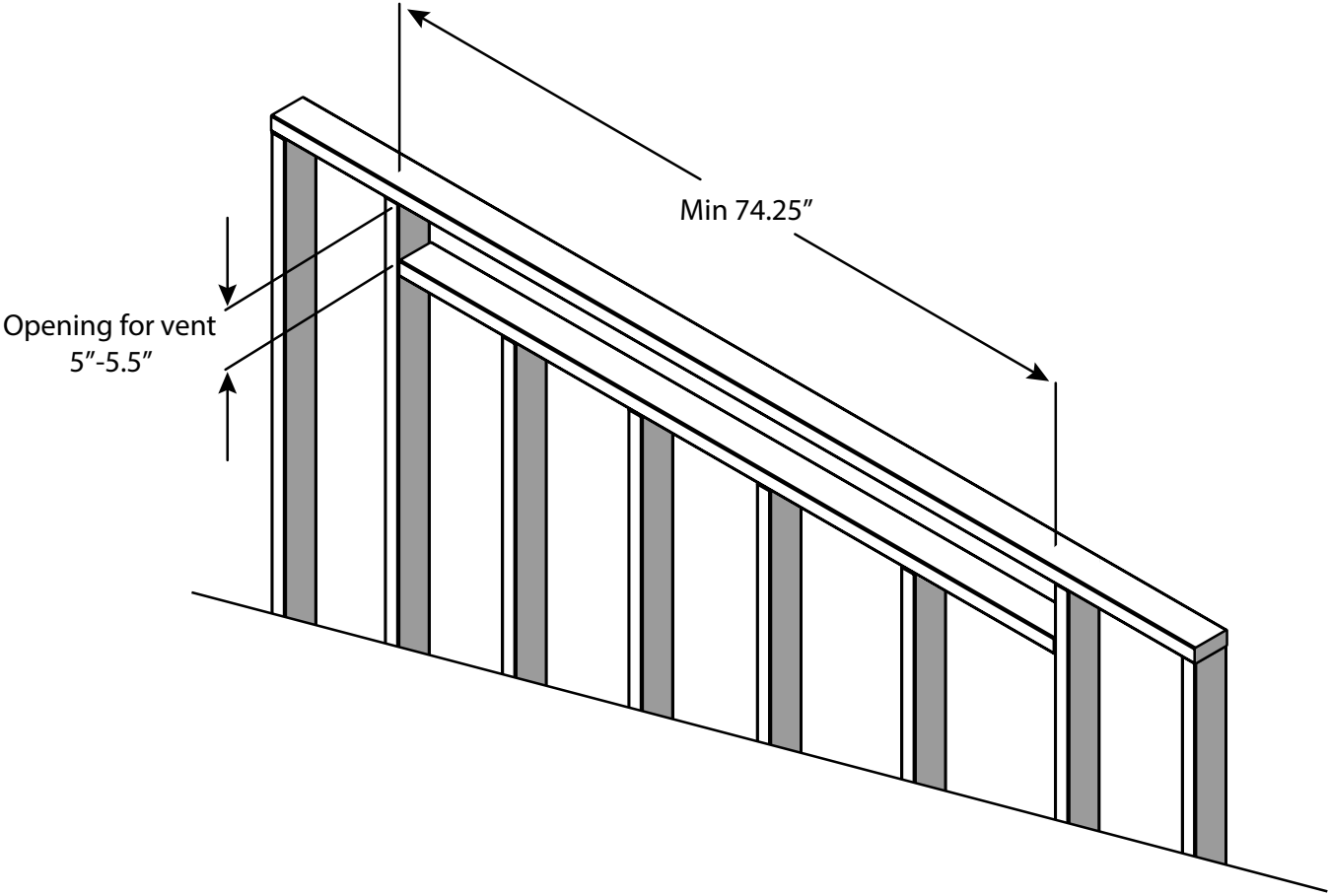


Electrical Connection - side of unit

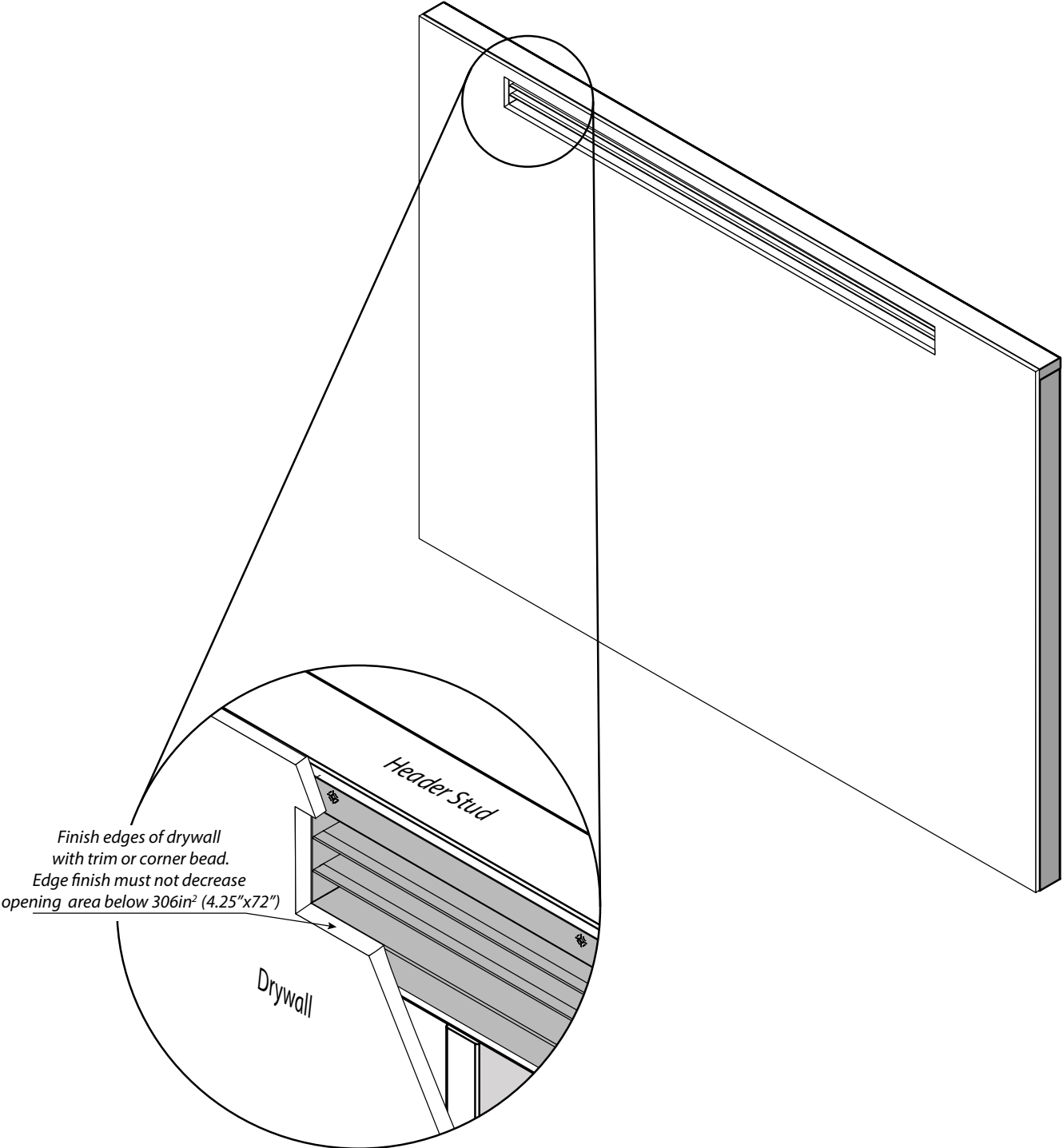


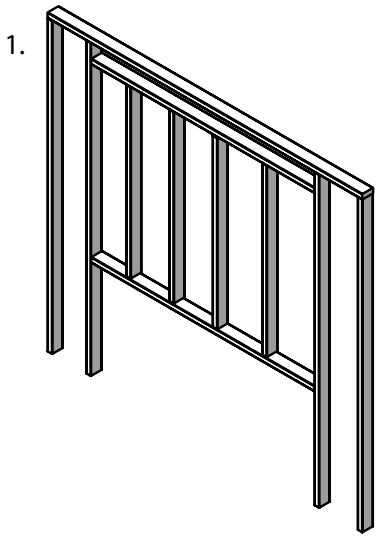
CV72E chase vent installation

Framed Opening must be between 5" and 5.5" tall, and at least 74.25" wide to accommodate the Chase vent.
The top of the chase vent opening must be 2" or less from the top of the chase enclosure.

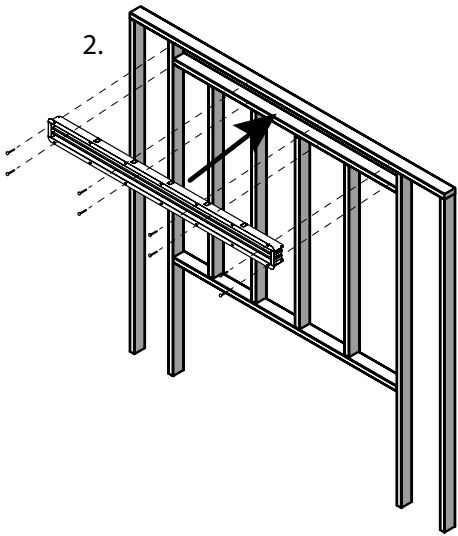


installation

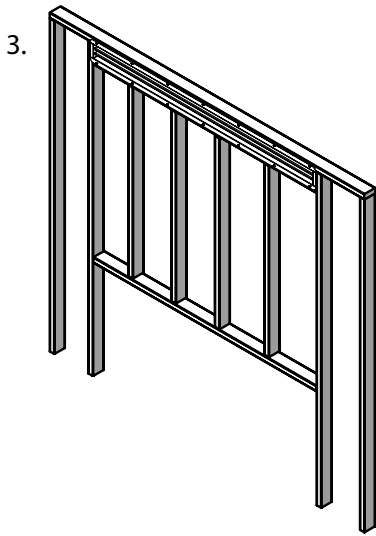




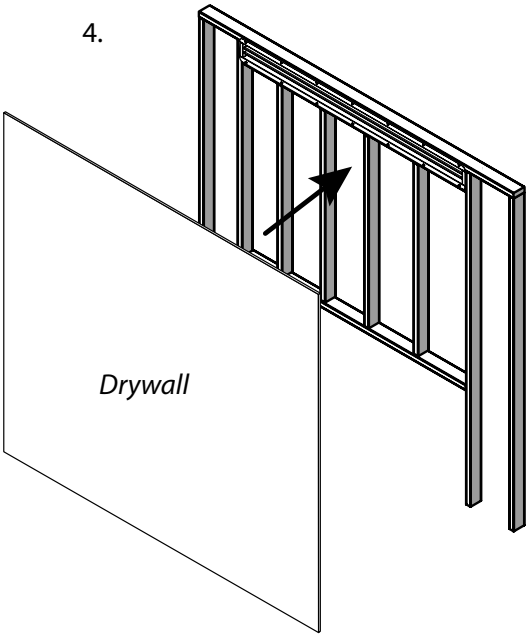
1. Frame opening for vent
(See Vent Framing Clearances Page)



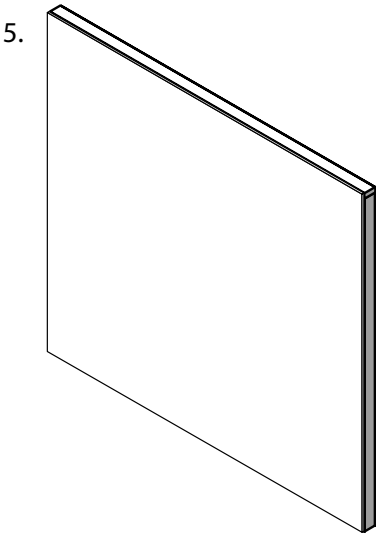
2. Screw Chase vent to Framing



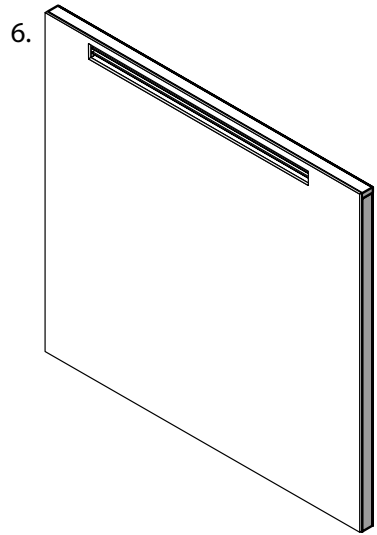
3. Use at least 4 sets of screws to keep the vent flat against frame



4. Frame wall with finishing material



5. If necessary, mark where the chase vent is located before fixing drwall in place



6. Cut hole in finishing material around inside of chase vent. Finish edges around opening

installation

Wall Board/Drywall Installation CV72E

WARNING! Risk of Fire! Comply with all minimum clearances to combustibles as specified.

Finishing Instructions

It is important to follow the framing and finishing instructions to ensure proper placement of fireplace into the surrounding framing/finishing materials. Wall board materials 1/2 in. thick are specified in this installation manual to properly align with the optional finishing methods offered with this appliance. The CV72E may be finished to the appliance opening with 1/2 inch thick drywall.

- Ensure that the back and side clearances are maintained.

WARNING! Risk of Fire! Maintain specified air space clearances to combustibles. Inadequate air space could cause overheating and fire.

DO NOT use screws more than 1/2 inch in length on the lower access cover panel. Longer screws may penetrate gas line or damage valve or electrical components.

Note: It is acceptable to use a high temperature silicone sealant to adhere drywall to lower access cover panel.

The appliance is designed to be used with a minimum 1/2 in. wall sheathing materials such as drywall, plywood, wood composites, or non-combustible materials. Thicker materials may be used. Refer to facing and finishing details in this manual.

Facing Material

- Facing and/or finishing materials must never overhang into the glass opening. See finishing details in this manual.
- Facing materials may be combustible or non-combustible

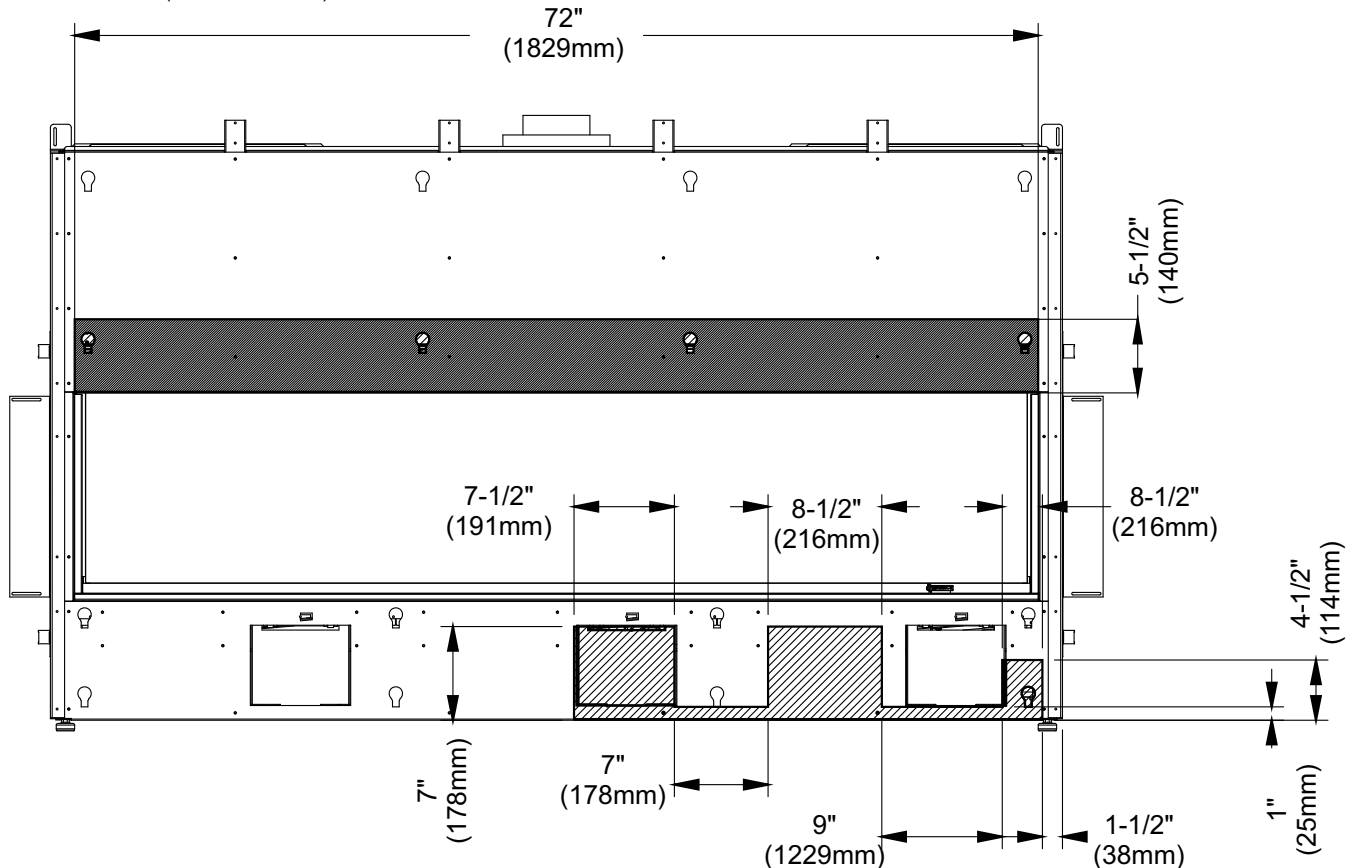
WARNING! Risk of Fire! **DO NOT** apply combustible materials beyond the minimum clearances. Comply with all minimum clearances to combustibles as specified in this manual. Overlapping materials could ignite and will interfere with proper operation.

PAINTING

If desired finishing includes a painted wall, 100% acrylic latex, oil-based or standard acrylic paints may be used. Follow paint manufacturer's instructions for paint and primer application.

NO SCREW ZONES CV72E

No screw zones (in shaded areas) as shown below must be adhered to.



Framing and Finishing Inset Installations CV72E

1. Frame in the enclosure for the unit with framing material.

Note: When constructing the framed opening ensure there is access to install the gas lines, electrical. Also the wiring harness must be wall mounted using the receptacle provided with the appliance. The wiring harness will be located on the right hand side of the appliance if facing the unit from the front. This must be done prior to any finishing.

2. For exterior walls, insulate the enclosure to the same degree as the rest of the house, apply vapour barrier and drywall, as per local installation codes. (Do not insulate the fireplace itself).

WARNING: Failure to insulate and add vapor barriers to the inside of the exterior wall will result in operational and performance problems including, but not limited to: excessive condensation on glass doors, poor flame package, carbon, blue flames etc. These are not product related issues.

Note that in all applications while there is a zero clearance to combustibles to the unit, all clearances to combustibles from the venting inside the chase still applies. Please see venting clearances in the specific product manual.

3. To ensure the chase is sealed from the outside wall into the room, all joints on the facing wall **MUST** be sealed, mudded, and taped to finish.

Note that in all applications while there is a zero clearance to combustibles to the unit, all clearances to combustibles from the venting inside the chase still applies. Please see venting clearances in the specific product manual.

4. Combustible material (drywall, wood, wood panels, etc.) may be brought up to the appliance (top, bottom and sides)

5. Ensure that the material being used does not encroach anywhere in the area of the glass. This would cause dangerous operating conditions.

6. This appliance comes with a 1/2" lip at top and bottom to hide the ends of the drywall. The 1/2" side and bottom lip supplied with the appliance can alternatively be removed (see Diagram 1) and replaced with J Style Trim or Metal Corner Bead purchased at your local hardware store to cover cut/ exposed edges of the combustible facing material or any other finishing materials being used. 6 screws secure the bottom lip — see Diagram 1. These will be hidden so the outer panels will need to be removed to access the screws. See outer panel removal in this manual.

7. This appliance can also be recessed (using combustible materials) with a hearth in front of the appliance. This can also extend to the top. See manual for details.

Drywall Lip - Bottom and Sides (Optional)

If desired the finishing lip on both sides and bottom may be removed. Remove the 2 screws on each side to remove the side drywall lip and loosen 6 screws (in locations shown below) from behind front face of unit with an offset screwdriver and lift off drywall trim to remove. The top drywall lip cannot be removed from the appliance. Also see finishing details on next page.

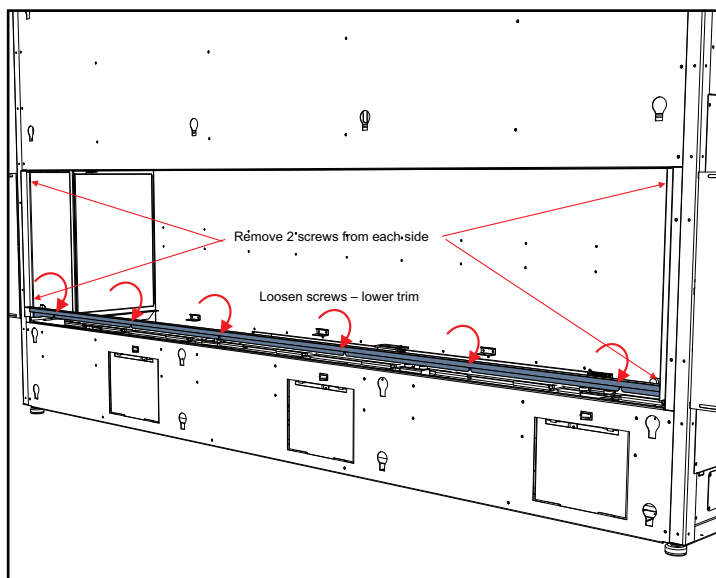
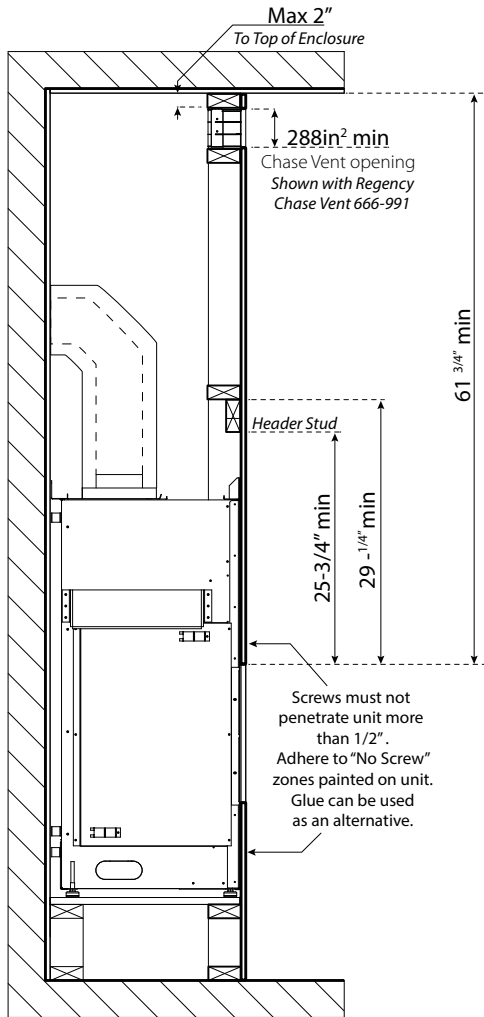


Diagram 1

installation

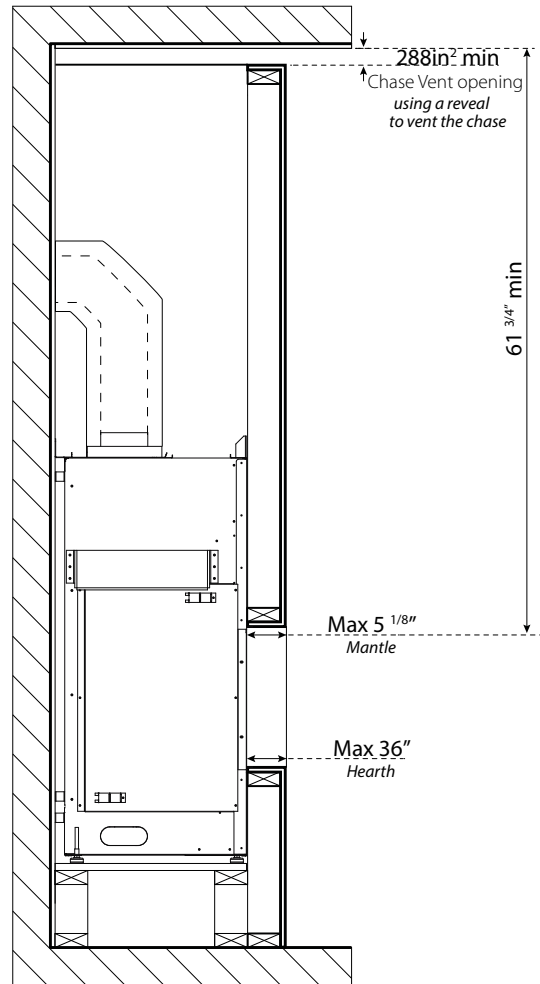
CV72 Typical Installations

Flush Install



1/2" drywall directly onto unit.

Recessed Install

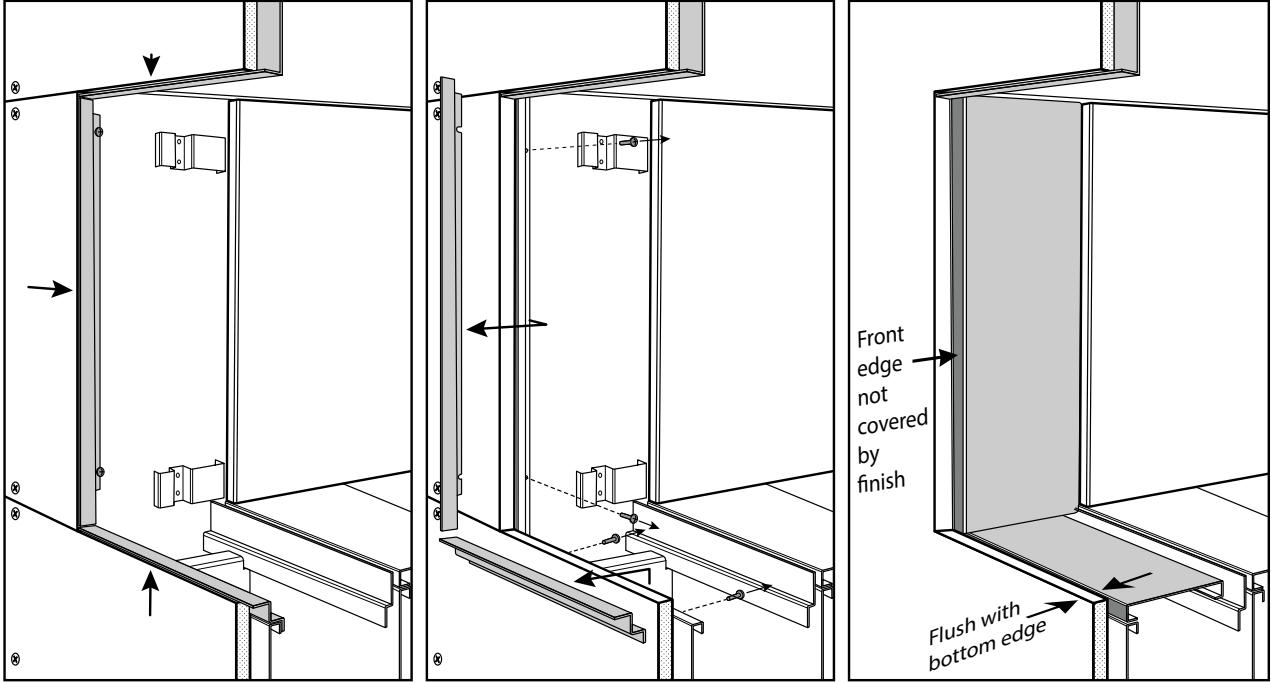


3 -1/2" framing in front of unit plus finishing material.

Note: The TV mounting bracket can not be secured directly to the appliance. It must be secured to framing. The TV depicted in the picture may need to be higher depending on the style of TV mounting bracket used. The mounting bracket shown is a simple single strip TV secured to framing.

CV72 finishing

Flush Install Example

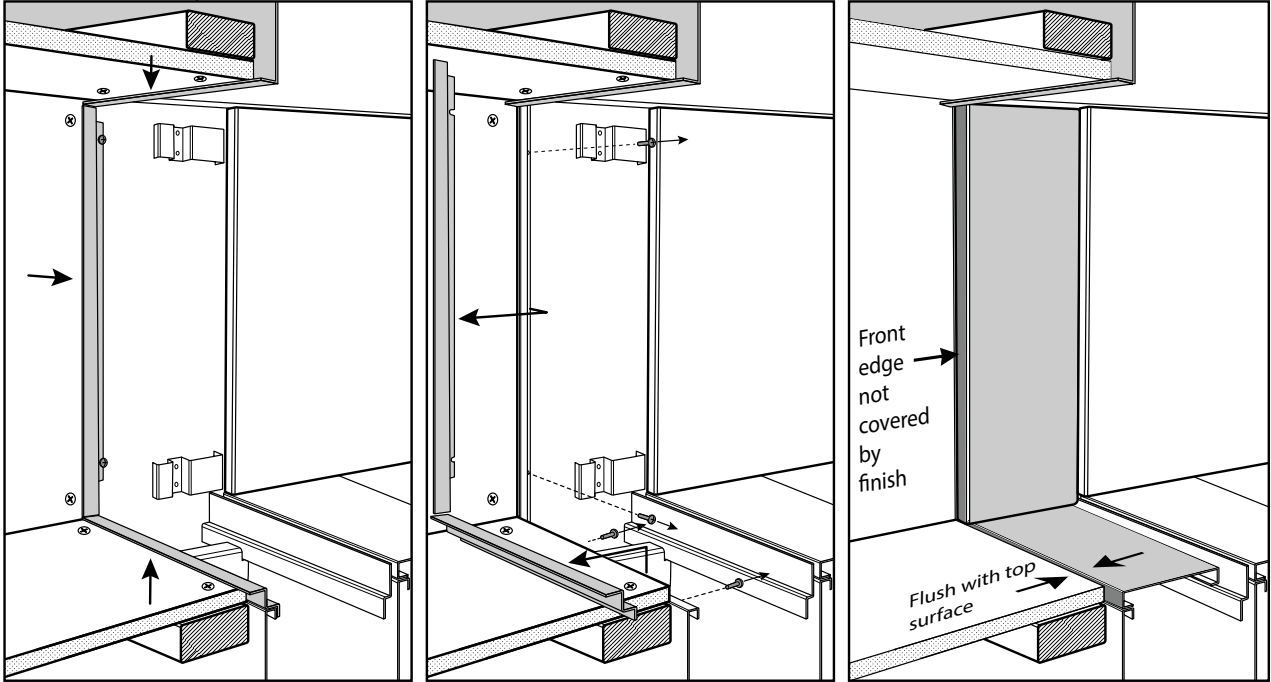


- Finish up to trim on all 4 sides

- Loosen screws using supplied Offset Screwdriver and remove bottom and side trim pieces

- Front edge of side liner panels must not be covered by finishing material or removal of the Firebox Glass will not be possible
- Bottom edge should be flush with top surface of Inner Liner Panel

Recess Install Example



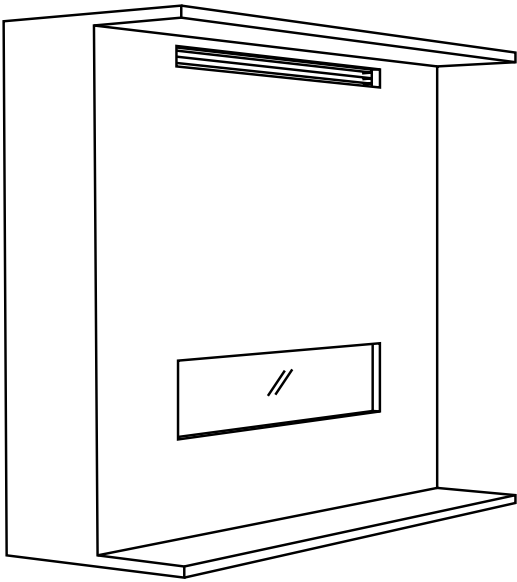
installation

Chase Venting

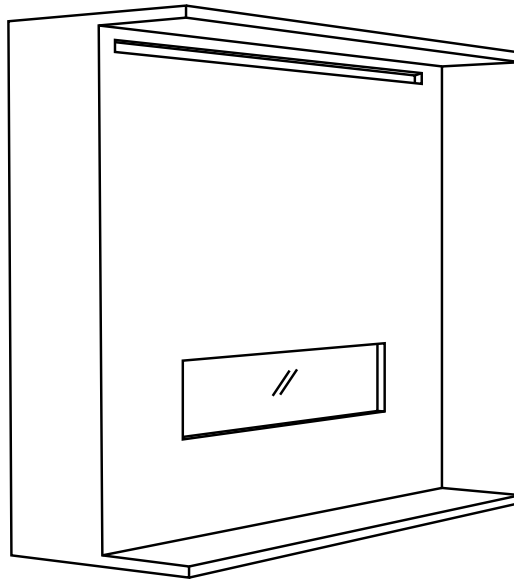
Note: The enclosure opening cannot be any lower than 0-2" from the top of the enclosure for all installations. Minimum height of enclosure from base of appliance is 87".

A minimum 288in² opening in the enclosure is required to maintain safe operating temperatures. This can be achieved in a number of ways including the examples shown below.

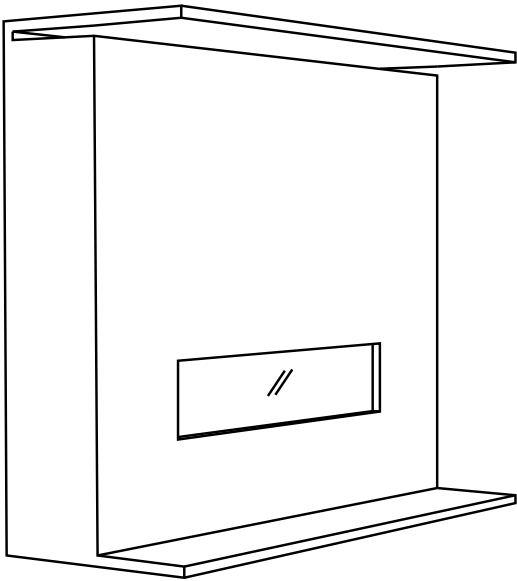
Warning: DO NOT cover or place objects in front of the air outlet(s).



Regency Chase Vent
Dimensions: 4"x72" (288in²)

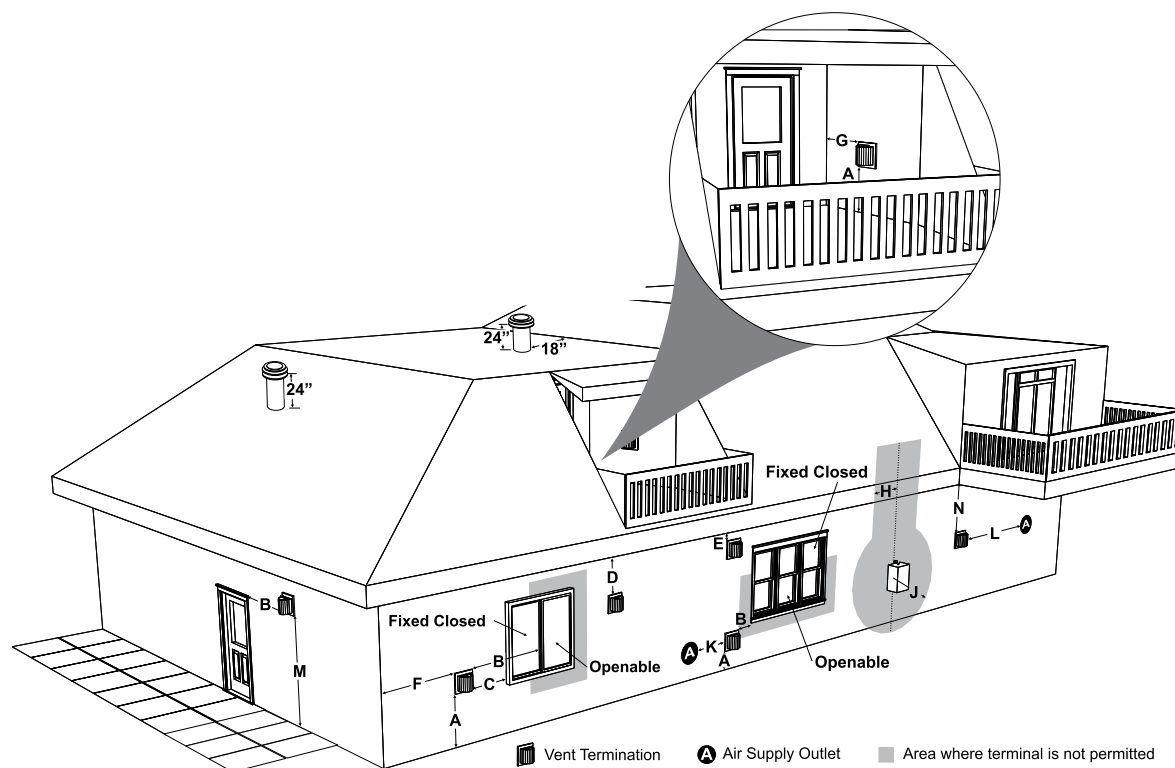


Custom chase vent
Example dimensions: 2.5"x116" (290in²)



Reveal at the chase top
Example dimensions: 2"x160" (320in²)

Exterior Vent Termination Locations



	Minimum Clearance Requirements	Canada ¹	USA ²
A	Clearance above grade, veranda, porch, deck, or balcony	12"(30cm)	12"(30cm)
B	Clearance to window or door that may be opened	12"(30cm)	9" (23cm)
C	Clearance to permanently closed window	*	*
D	Vertical clearance to ventilated soffit located above the terminal within a horizontal distance of 2 feet (61cm) from the center line of the terminal (check with the local code)	29"(74cm)	29"(74cm)
E	Clearance to unventilated soffit	20"(51cm)	20"(51cm)
F	Clearance to outside corner: with AstroCap Termination Cap.	7"(18cm)	7"(18cm)
	Clearance to outside corner: with all other approved Termination Caps.	14"(36cm)	14"(36cm)
G	Clearance to inside corner: with AstroCap Termination Cap	7"(18cm)	7"(18cm)
	Clearance to inside corner: with all other approved Termination Caps.	12"(30cm) 13"(33cm)	12"(30cm)
H	Clearance to each side of center line extended above meter/regulator assembly	36"(90cm) ^a	*
J	Clearance to service regulator vent outlet	36"(90cm)	*
K	Clearance to non-mechanical air supply inlet to building or the combustion air inlet to any other appliance	12"(30cm)	9" (23cm)
L	Clearance to a mechanical air supply inlet #3' (91cm) above if within 10' (3m) horizontally.	72"(1.8m)	36"(90cm) ^p
M	Clearance above paved sidewalk or a paved driveway located on public property	84"(2.1m) [†]	*
N	Clearance under veranda, porch, deck, or balcony	12"(30cm) [‡]	*

¹ In accordance with current CSA B149.1, *Natural Gas and Propane Installation Code*
² In accordance with the current ANSI Z223.1/NFPA 54, *National Fuel Gas Code*
 A vent shall not terminate directly above a sidewalk or paved driveway which is located between two single family dwellings and serves both dwellings
[†] Permitted only if veranda, porch, deck, or balcony is fully open on a minimum of two sides beneath the floor
 * Clearance in accordance with local installation codes and the requirements of the gas supplier
^a 3 feet (91cm) within a height of 15 feet (4.5m) above the meter / regulator assembly
^b 3 feet (91cm) above - if within 10 feet (3m) horizontally

installation

5" x 8" Rigid Pipe Cross Reference Chart

Components from different Manufacturers may not be mixed. Not All Rigid Pipe components are available directly from FPI.

Description	Simpson Direct Vent Pro®	*Selkirk Direct Temp™	*Metal-Fab™ Sure Seal	*ICC Excel Direct	*Olympia Ventis DV*
6" Pipe Length-Galvanized	58DVA-06	5DT-6	5D6	TC-5DL6	VDV-0506
6" Pipe Length-Black	58DVA-06B	5DT-6B	5D6B	TC-5DL6B	VDVB-0506
9" Pipe Length-Galvanized	58DVA-09	5DT-9	N/A	TC-5DL9	VDV-0509
9" Pipe Length-Black	58DVA-09B	5DT-9B	N/A	TC-5DL9B	VDVB-0509
12" Pipe Length-Galvanized	58DVA-12	5DT-12	5D12	TC-5DL1	VDV-0512
12" Pipe Length-Black	58DVA-12B	5DT-12B	5D12B	TC-5DL1B	VDVB-0512
18" Pipe Length-Galvanized	58DVA-18	5DT-18	5D18	TC-5DL18	VDV-0518
18" Pipe Length-Black	58DVA-18B *	5DT-18B	5D18B	TC-5DL18B	VDVB-0518
24" Pipe Length-Galvanized	58DVA-24	5DT-24	5D24	TC-5DL2	VDV-0524
24" Pipe Length-Black	58DVA-24B	5DT-24B	5D24B	TC-4DL2B	VDVB-0524
36" Pipe Length-Galvanized	58DVA-36	5DT-36	5D36	TC-5DL3	VDV-0536
36" Pipe Length-Black	58DVA-36B	5DT-36B	5D36B	TC-5DL3B	VDVB-0536
48" Pipe Length-Galvanized	58DVA-48	5DT-48	5D48	TC-5DL4	N/A
48" Pipe Length-Black	58DVA-48B	5DT-48B	5D48B	TC-5DL4B	N/A
60" Pipe Length-Galvanized	58DVA-60	N/A	N/A	N/A	N/A
60" Pipe Length-Black	58DVA-60B *	N/A	N/A	N/A	N/A

Adjustable Length 3"-10"-Galvanized	N/A	N/A	5DAL	TC-5DLT	N/A
Adjustable Length 3"-10"-Black	N/A	N/A	5DALB	TC-5DLTB	N/A
Adjustable Length 11"-14" -Galvanized	Disc. - See 58DV-08A	5DT-AJ	N/A	N/A	N/A
Adjustable Length 11"-14" -Black	Disc. - See 58DV-08B	5DT-AJB	N/A	N/A	N/A
Extension Pipe 17"-24" -Galvanized	Disc. - See 58DV-16A	N/A	N/A	N/A	N/A
Extension Pipe 17"-24" -Black	Disc. - See 58DV-16AB	N/A	N/A	N/A	N/A
Adjustable Length 8-1/2"-Galvanized	58DVA-08A*	N/A	N/A	N/A	N/A
Adjustable Length 8-1/2"-Black	58DVA-08AB	N/A	N/A	N/A	N/A
Extension Pipe 16"-Galvanized	58DVA-16A *	N/A	N/A	N/A	N/A

45° Elbow-Galvanized	58DVA-E45	5DT-EL45	5DT-EL45	TE-5DE45	VDV-EL0545
45° Elbow-Black	58DVA-E45B	5DT-EL45B	5DT-EL45B	TE-5DE45B	VDVB-EL0545
45° Elbow Swivel-Galvanized	Disc. - See 58DVA-E45	N/A	N/A	N/A	N/A
45° Elbow Swivel-Black	Disc.-See 58DVA-E45B	N/A	N/A	N/A	N/A
90° Elbow-Galvanized	58DVA-E90	5DT-EL90S	5DT-EL90S	TE-5DE90	VDV-EL0590
90° Elbow-Black	58DVA-E90B	5DT-EL90SB	5DT-EL90SB	TE-5DE90B	VDV-EL0590
90° Elbow, Swivel-Galvanized	Disc. - See 46DVA-E45	N/A	N/A	N/A	N/A
90° Elbow, Swivel-Black	Disc. - See 46DVA-E45	N/A	N/A	N/A	N/A
90° Starter Elbow, Swivel-Galvanized	N/A	N/A	N/A	N/A	N/A
Adaptor*	N/A	N/A	N/A	N/A	VDV-UAA05

Ceiling Support	58DVA-DC	5DT-CS	5DSP	TM-5RDS	VDV-CSR05
Cathedral Support Box	58DVA-CS	5DT-CSS	5DRS	TM-5SS	DV-CSS05
Wall Support/Band	58DVA-WS	5DT-WS/B	5DWS	TM-5WS	VDV-WS05
Offset Support	58DVA-ES*	5DT-OS	N/A	TM-5OS	N/A
Wall Thimble-Black	58DVA-WT	5DT-WT	5DWT	N/A	VDV-WPT05
Wall Thimble Support/Ceiling Support	58DVA-DC*	N/A	N/A	N/A	N/A
Firestop Spacer	58DVA-FS	5DT-FS	5DFS	TM-5LS	VDV-FS05
Trim Plate-Black	58DAV-WFS	5DT-TP	5DCP	TM-5TP	VDV-WTC05

* Not available from Regency

Description	Simpson Direct Vent Pro®	*Selkirk Direct Temp™	*Metal-Fab™ Sure Seal	*ICC Excel Direct	*Olympia Ventis DV*
Attic Insulation Shield 12"	58DVA-IS*	N/A	N/A	N/A	VDV-AIS05

Basic Horizontal Termination Kit (A)	N/A	5DT-HKA	N/A	TM-5HTK	VDV-KW05
Horizontal Termination Kit (B)	58DVA-KHA	5DT-HKB	N/A	TM-5HTK	VDV-K05
Vertical Termination Kit	58DVA-VHA	5DT-VKC	N/A	N/A	N/A

High Wind Vertical Cap	58DVA-VCH	N/A	N/A	TM-5VT	VDV-VCH05
High Wind Horizontal Cap	N/A	N/A	N/A	TM-5DHT	N/A
Horizontal Square Termination Cap	N/A	5DT-HHC	5DHT	TM-5HT	VDV-HC05
Vertical Termination Cap	N/A	5DT-HVC	5DVT	N/A	N/A
Storm Collar	58DVA-SC	5DT-SC	5DSC	TM-SC	VDV-SC05

Adjustable Flashing 0/12-6/12	58DVA-F6	5DT-AF6	5DF	TF-5FA	VDV-F0506
Adjustable Flashing 6/12-12/12	58DVA-F12	5DT-AF12	5DF1-2	TF-5FB	VDV-F0512

Vinyl Siding Standoff	58DVA-VSS	5DT-VS	5DVS	TM-VSS	VDV-SSO
Vinyl Siding Shield Plate	N/A	5DT-VSP	N/A	N/A	N/A

Snorkel Termination 14"	58DVA-SNK14	N/A	N/A	TM-5ST14	N/A
Snorkel Termination 36"	58DVA-SNK36*	N/A	N/A	TM-5ST36	N/A

Restrictor Disk	N/A	N/A	N/A	N/A	N/A
Colinear Flex Connectors	N/A	N/A	N/A	N/A	N/A

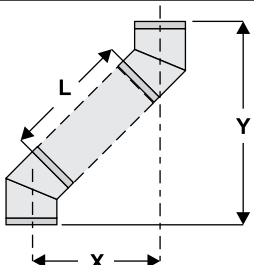
* Not available from Regency

FPI			
946-604/P	Simpson Direct Vent or Astro Cap -Vent Guard (Optional)	946-623/P	AstroCap XL Horizontal Cap
770-994	Rigid Pipe Adaptor (Must use with all rigid piping)	**946-506/P	Vent Guard (Optional)
**946-606	Starter collar reducer 5" x 8" to 4" x 6-5/8" (B36XTE, B36XTCE ONLY)	946-625	Vinyl Siding Standoff - AstroCap XL

* Olympia Ventis DV applicable for the following units only: B36XTE, B36XTCE, B41XTE, B41XTCE, CV40E, CB40E, CC40E, CV72E, P36, P36E, U1500E

Note: When using Metal-Fab Sure Seal Rigid Piping - please note that the Adaptor (5DDA) must be used in conjunction with FPI Rigid Pipe Adaptor (770-994).

**** Not available/applicable for the following units: B41XTE, B41XTCE, CV72E, HZ54E, U1500E**

Offset Pipe Selection: Use this table to determine offset pipe lengths.				For specific instructions on venting components - visit the manufacturers website listed below. Simpson Direct Vent Pro: www.duravent.com Selkirk Direct-Temp: www.selkirkcorp.com Metal-Fab Sure Seal: www.mtfab.com Industrial Chimney Company: www.icc-rsf.com Olympia Ventis DV: www.olympiachimney.com
Pipe Length (L)	5" x 8" Venting			
	Run (X)	Rise (Y)		
0" (0mm)	5-11/16" (144mm)	15-5/16" (389mm)		
6" (152mm)	8-13/16" (224mm)	18-7/16" (468mm)		
9" (229mm)	10-15/16" (278mm)	20-9/16" (522mm)		
12" (305mm)	13" (330mm)	22-11/16" (576mm)		
24" (610mm)	21-7/16" (697mm)	31-1/16" (789mm)		
36" (914mm)	29-13/16" (757mm)	39-7/16" (1002mm)		
48" (1219mm)	38-1/4" (972mm)	47-7/8" (1216mm)		

Note: Horizontal runs of vent must be level, or have a 1/4" rise for every 1 foot of run towards the termination. Never allow the vent to run downward - this could cause high temperatures and may present a possible fire hazard.

installation

wall mount On / Off Switch and battery holder installation required for all installations

IMPORTANT INSTALLATION NOTE:

The Battery Holder must be placed inside the supplied (Low Voltage) junction type wall box and installed into the wall only.

DO NOT INSTALL WITHIN THE CONFINES OF THE FIREPLACE SWITCH MUST BE ACCESSIBLE

Battery Holder Installation

1. Install the low voltage junction box to the framing, at desired location within 11-1/2 ft. from fireplace.
2. Feed the 6 pin connector wiring harness through the opening at back of junction box. The wiring harness is located on the right hand side and must be installed prior to finishing.
3. Connect the 6 pin connector to the back of the Battery Holder.
4. Install the Battery Holder in the Low Voltage Junction box.
5. Install batteries only if 120 volt power will not be used. Batteries are only used if power is lost within the home and serve as a secondary power source. Insert the 4 AA type batteries in the battery compartment with the correct polarity.
6. Place the slider into the cover plate.
7. Put the Battery Holder switch in the "OFF" position, to allow correct lineup for slider switch.
8. Make sure the Battery Holder and cover plate words "ON" and "UP" are on the same side.
9. Align the slider with the switch on the Battery Holder and couple the switch into the slider.
10. Align the screw holes.
11. Using the two (2) screws provided secure the cover plate to the Battery Holder.
12. For coding instructions, see full details in this manual.



Low Voltage Junction Box

Proflame Battery Holder

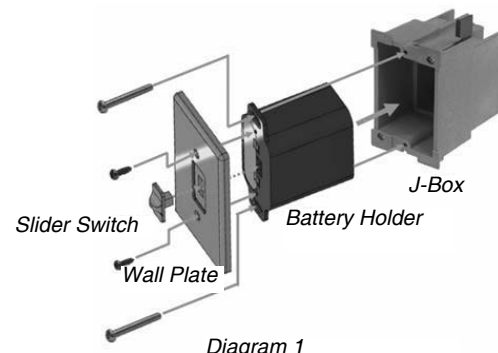
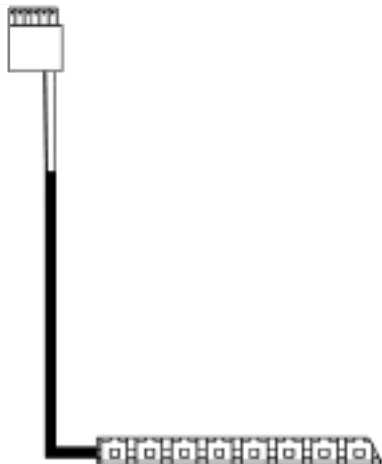
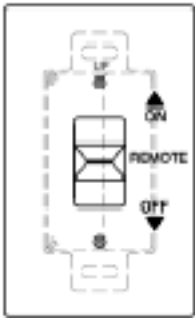


Diagram 1

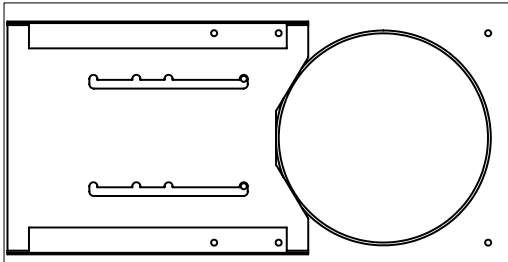
Vent Restrictor Position

Vent restriction is required for certain venting installations, see the diagrams in the "Venting Arrangements" section to determine if they are required for your installation.

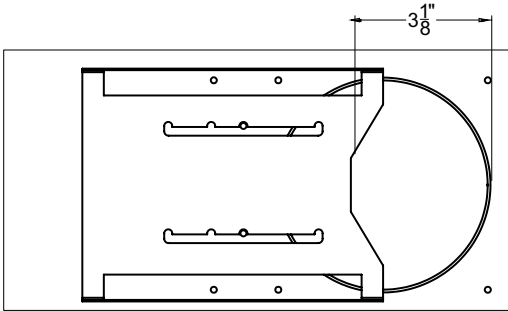
The Vent Restrictor plate is installed on the appliance at Set 0.

To set the vent restriction as indicated in the venting arrangements diagrams, refer to the following instructions;

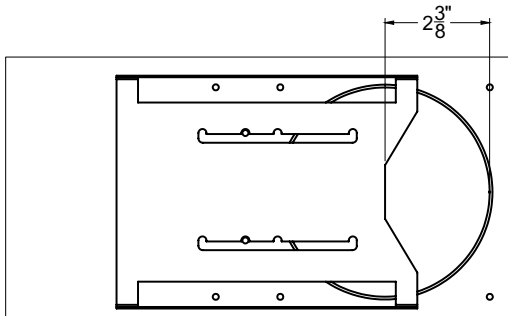
- 1. Remove the safety barrier glass and firebox glass--see instructions in this manual.
- 2. Adjust the vent restrictor plate to the required vent restrictor position as per the diagrams shown.
- 3. Once the vent restrictor plate is in the required position, secure with screws.



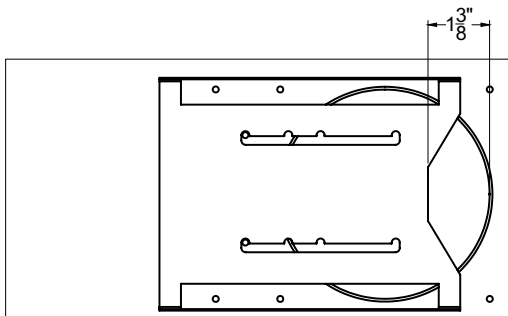
Set 0
Fully open
Factory Set



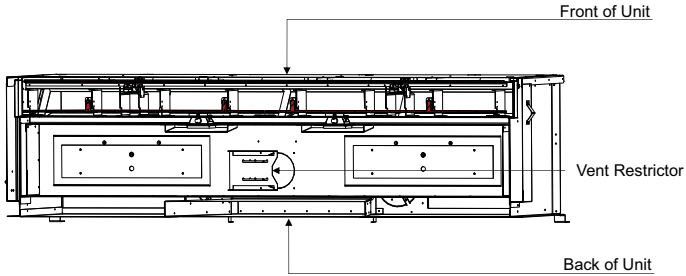
Set 1
3-1/8"



Set 2
2-3/8"



Set 3
1-3/8"



Cross section showing the ceiling of the firebox from the inside

installation

Horizontal Terminations

Flex Vent 5" x 8"

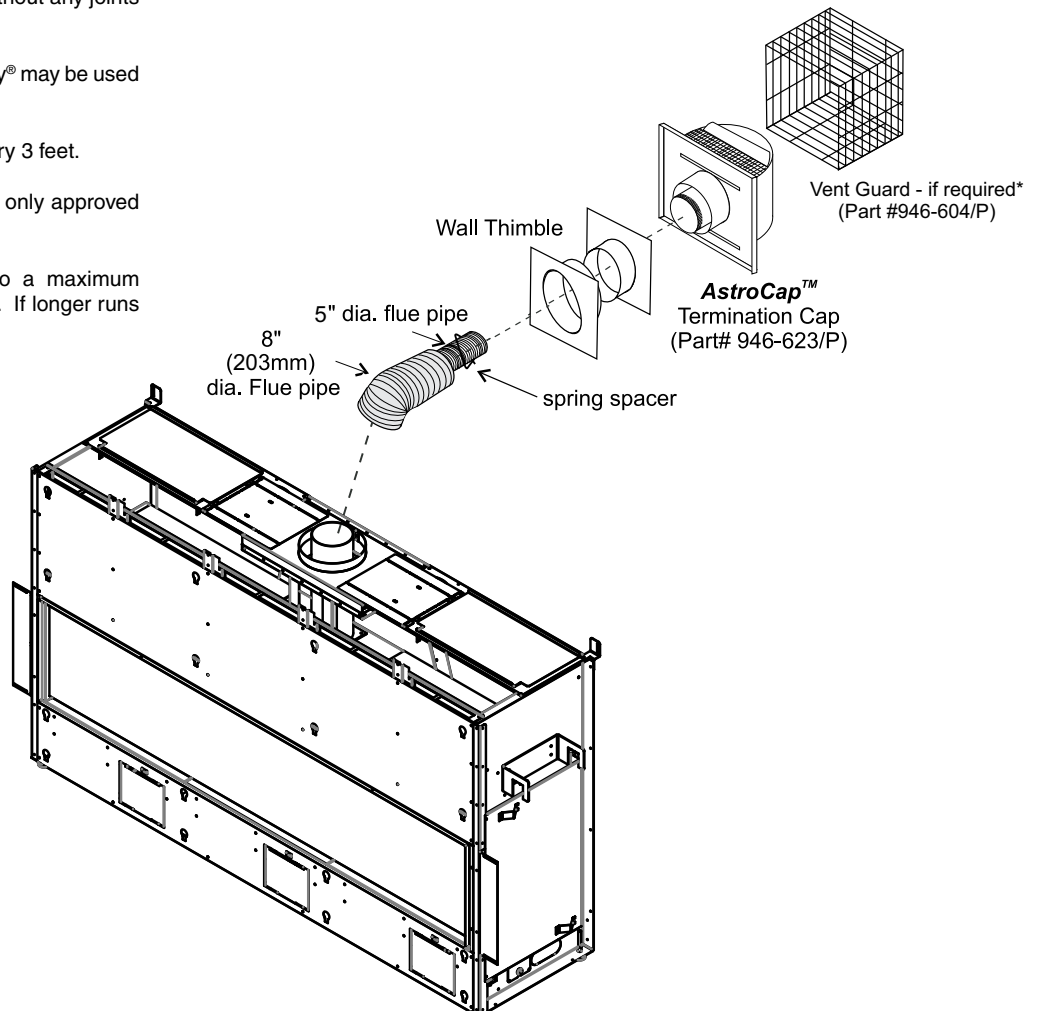
These venting systems, in combination with the CV72E Direct Vent Gas Fireplace, has been tested and listed as a direct vent heater system by Intertek. The location of the termination cap must conform to the requirements in the Vent Terminal Locations diagram in "Exterior Vent Termination Locations" section.

Regency® Direct Vent (Flex) System Termination Kits include all the parts needed to install the CV72E using a flexible vent.

FPI Kit #	Length	Contains:
#946-615	4 Feet	1) 8" flexible liner (Kit length) 2) 5" flexible liner (Kit length) 3) spring spacers
#946-618	6 Feet	4) thimble 5) AstroCap XL termination cap 6) screws
#946-616	10 Feet	7) tube of Mill Pac 8) plated screws 9) S.S. screws #8 x 1-1/2" drill point 10) vinyl siding standoff

Notes:

- Liner sections should be continuous without any joints or seams.
- Only Flex pipe purchased from Regency® may be used for Flex installations
- Horizontal vent must be supported every 3 feet.
- Regency® Direct Vent System (Flex) is only approved for horizontal terminations.
- Flex system can only be used up to a maximum continuous vent length of up to 10 feet. If longer runs are required, rigid pipe must be used.



Venting Introduction

The CV72E uses the "balanced flue" technology Co-Axial system. The inner liner vents products of combustion to the outside while the outer liner draws outside combustion air into the combustion chamber thereby eliminating the need to use heated room air for combustion and losing warm room air up the chimney.

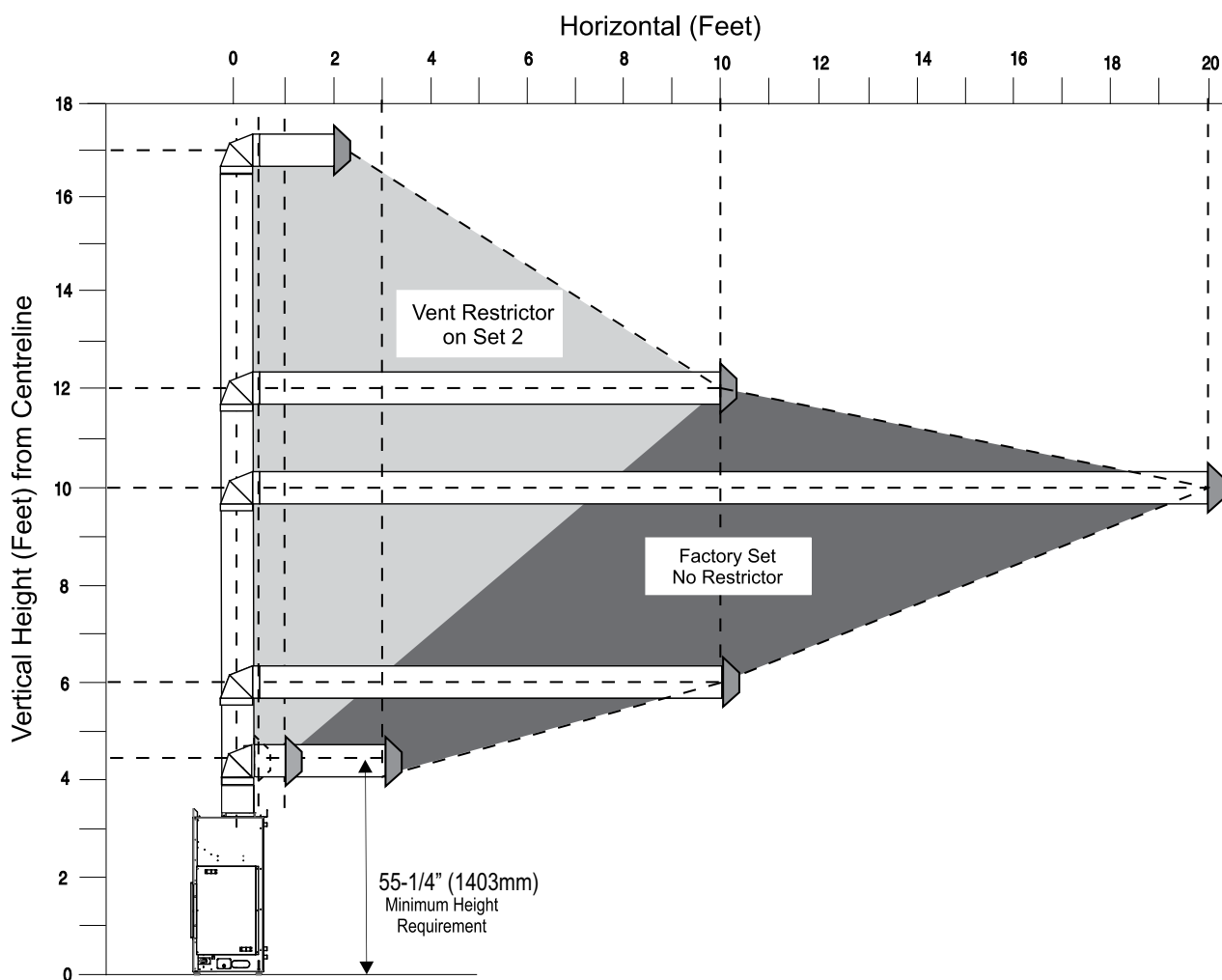
Note: These flue pipes must not be connected to any other appliance.

The gas appliance and vent system must be vented directly to the outside of the building, and never be attached to a chimney serving a separate solid fuel or gas burning appliance. Each direct vent gas appliance must use its own separate vent system. Common vent systems are prohibited.

Venting Arrangement for Horizontal Terminations

The diagram shows all allowable combinations of vertical runs with horizontal terminations, using one 90° (two 45° elbows equal one 90° elbow).

Note: Must use optional rigid pipe adapter (Part# 770-994) when using Rigid Pipe Venting Systems)



VENT RESTRICTOR SETTING:

Vent restrictor factory set at Set 0.

Refer to the "Vent Restrictor Position" section for details on how to change the vent restrictor from the factory setting of Set 0 to Set 2 if required.

Note: For horizontal terminations the Regency Direct Vent Flex System may be used for installations with a maximum continuous vent length of up to 10 feet. If longer runs are required, rigid pipe must be used.

- Maintain clearances to combustibles as listed in "Clearances" section
- Horizontal vent must be supported every 3 feet.
- Firestops are required at each floor level and whenever passing through a wall.
- A vent guard should be used whenever the termination is lower than the specified minimum or as per local codes.

installation

Horizontal Terminations

Rigid Pipe 5" x 8"

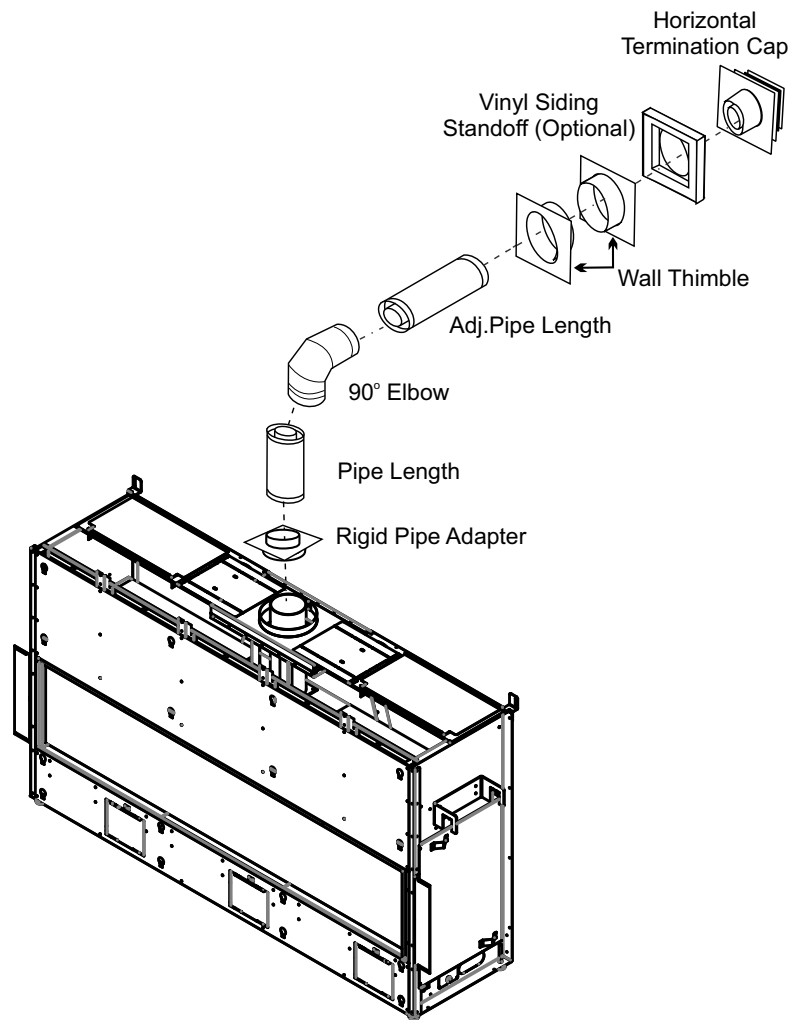
The minimum components required for a basic horizontal termination are:

- 1 Horizontal Termination Cap
- 1 Rigid Pipe Adaptor (770-994)
- 1 Wall Thimble
- 1 Length of pipe to suit wall thickness (see chart)

Wall thickness is measured from the back standoffs to the inside mounting surface of termination cap. For siding other than vinyl furring strips may be used, instead of the vinyl siding standoff, to create a level surface to mount the vent terminal. The Terminal must not be recessed into siding. Measure the wall thickness including furring strips.

If a Vinyl Siding Standoff is required (it must be used with vinyl siding), measure to outside surface of wall without siding and add 2 inches.

Flat Wall Installation	
Wall Thickness (inches)	Vent Length Required (inches)
4" - 5-1/2"	6"
7" - 8-1/2"	9"
10" - 11-1/2"	12"
9" - 14-1/2"	11" - 14-5/8" Adj. Pipe
15" - 23-1/2"	17" - 24" Adj. Pipe



WARNING:

Do not combine venting components from different venting systems.

However use of the the AstroCap™ and FPI Riser is acceptable with all systems.

This product has been evaluated by Intertek for using a Rigid Pipe Adaptor in conjunction with DuraVent Direct-Vent, Selkirk Direct-Temp, Ameri Vent Direct Venting, ICC Excel Direct, Olympia Ventis DV, and Security Secure Vent systems. Use of these systems with the Rigid Pipe adaptor is deemed acceptable and does not affect the Intertek WHI listing of components.

When using Rigid Vent other than Simpson Dura-Vent, 3 screws must be used to secure rigid pipe to adaptor.

The FPI AstroCap™ and FPI Riser Vent terminal are certified for installations using FPI venting systems as well as Simpson Dura-Vent® Direct Vent, American Metal Products Ameri Vent Direct Vent, Security Secure Vent®, ICC Excel, Olympia Ventis DV, Selkirk Direct-Temp. AstroCap™ is a proprietary trademark of FPI Fireplace Products International Ltd. Dura-Vent® and Direct Vent are registered and/or proprietary trademarks of Simpson Dura-Vent Co. Inc.

Horizontal Terminations

Rigid Pipe 5" x 8"

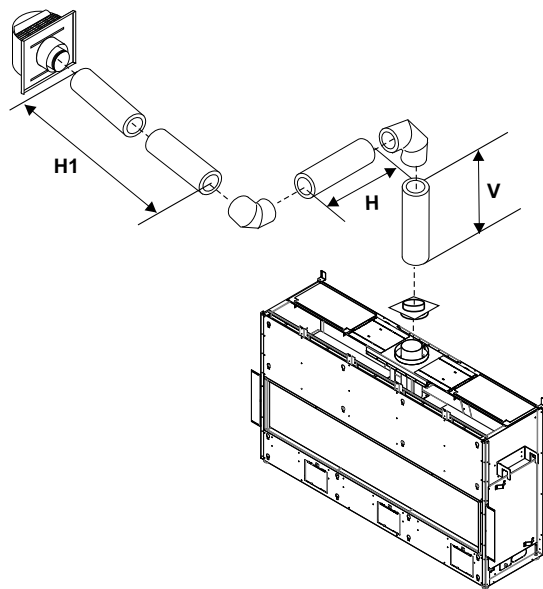
The diagrams below show examples of horizontal termination arrangements using one, two, or three 90° elbows (two 45° elbows equal one 90° elbow).

1. A maximum of three 90° elbows are permitted.
 2. Minimum distance between elbows is 1 ft. (305mm).
- Maintain clearances to combustibles as listed in the "Clearances" section.
 - Horizontal vent must be supported every 3 feet.
 - Firestops are required at each floor level and whenever passing through a wall.
 - Must use optional rigid pipe adaptor (Part# 770-994) when using rigid pipe vent systems.
 - A vent guard should be used whenever the termination is lower than the specified minimum or as per local codes.
 - Flex system can only be used up to 10 feet - otherwise rigid venting must be used.

Horizontal Venting with Two (2) 90° Elbows

One 90° elbow = Two 45° elbows.

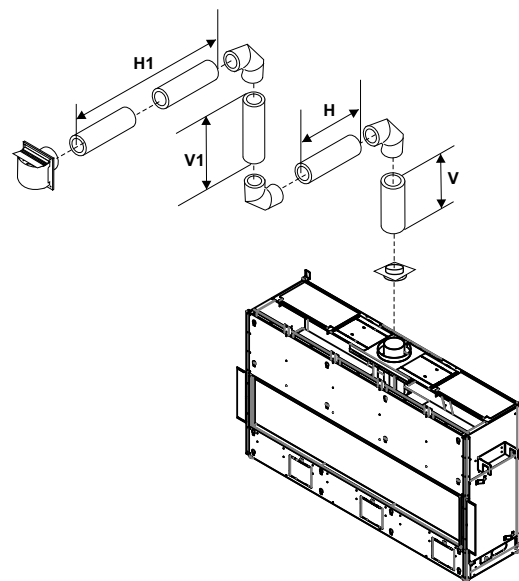
Option	V	H + H1	With these options, maximum total pipe length is 30 feet with minimum of 6 feet total vertical and maximum 8 feet total horizontal. Please note minimum 1 foot between 90° elbows is required.
A)	1' Min.	2' Max.	
B)	2' Min.	4' Max.	
C)	3' Min.	5' Max.	
D)	4' Min.	6' Max.	
E)	5' Min.	7' Max.	
F)	6' Min.	8' Max.	
Restrictor Set 0 - Factory Setting			



Horizontal Venting with Three (3) 90° Elbows

One 90° elbow = Two 45° elbows.

Option	V	H	V + V1	H + H1	With these options, max. total pipe length is 30 feet with min. of 12 feet total vertical and max. 9 feet total horizontal. Please note min. 1 foot between 90° elbows is required.
A)	1' Min.	1' Max.	2' Min.	2' Max.	
B)	1' Min.	2' Max.	3' Min.	3' Max.	
C)	2' Min.	2' Max.	5' Min.	4' Max.	
D)	3' Min.	2' Max.	7' Min.	5' Max.	
E)	4' Min.	3' Max.	9' Min.	6' Max.	
F)	5' Min.	4' Max.	10' Min.	7' Max.	
G)	6' Min.	5' Max.	11' Min.	8' Max.	
H)	7' Min.	6' Max.	12' Min.	9' Max.	
Restrictor Set 0 - Factory Setting					



installation

Vertical terminations

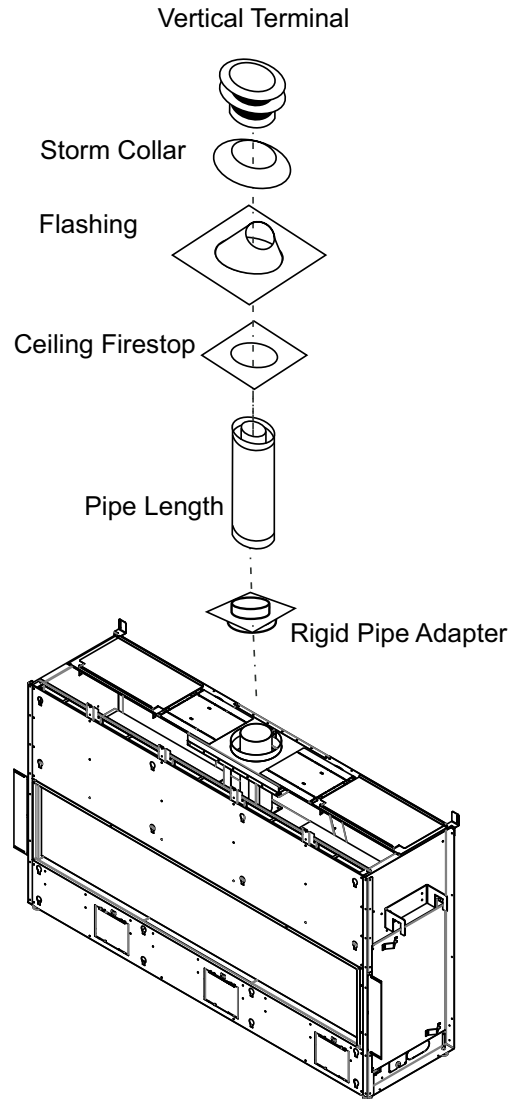
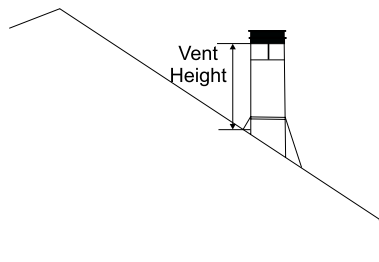
Rigid Pipe 5" x 8"

The minimum components required for a basic vertical termination are:

- 1 Vertical Termination Cap
- 1 Rigid Pipe Adaptor (770-994)
- 1 Ceiling Firestop
- 1 Flashing
- 1 Storm Collar
- 1 Length of pipes to suit wall thickness & vent run (see chart)

Galvanized pipe is desirable above the roofline due to its higher corrosion resistance. Continue to add pipe sections through the flashing until the height of the vent cap meets the minimum height requirements specified in table below or local codes. Note that for steep roof pitches, the vertical height must be increased. A poor draft, or down drafting can result from high wind conditions near big trees or adjoining roof lines, in these cases, increasing the vent height may solve the problem.

Roof Pitch	Minimum Vent Height	
	Feet	Meters
flat to 7/12	2	0.61
over 7/12 to 8/12	2	0.61
over 8/12 to 9/12	2	0.61
over 9/12 to 10/12	2.5	0.76
over 10/12 to 11/12	3.25	0.99
over 11/12 to 12/12	4	1.22
over 12/12 to 14/12	5	1.52
over 14/12 to 16/12	6	1.83
over 16/12 to 18/12	7	2.13
over 18/12 to 20/12	7.5	2.29
over 20/12 to 21/12	8	2.44



WARNING:

Do not combine venting components from different venting systems.

However use of the the AstroCap™ and FPI Riser is acceptable with all systems.

This product has been evaluated by Intertek for using a Rigid Pipe Adaptor in conjunction with Duravent Direct-Vent, Selkirk Direct-Temp, Ameri Vent Direct Venting, ICC Excel Direct, Olympia Ventis DV, and Security Secure Vent systems. Use of these systems with the Rigid Pipe adaptor is deemed acceptable and does not affect the Intertek WHI listing of components.

When using Rigid Vent other than Simpson Dura-Vent, 3 screws must be used to secure rigid pipe to adaptor.

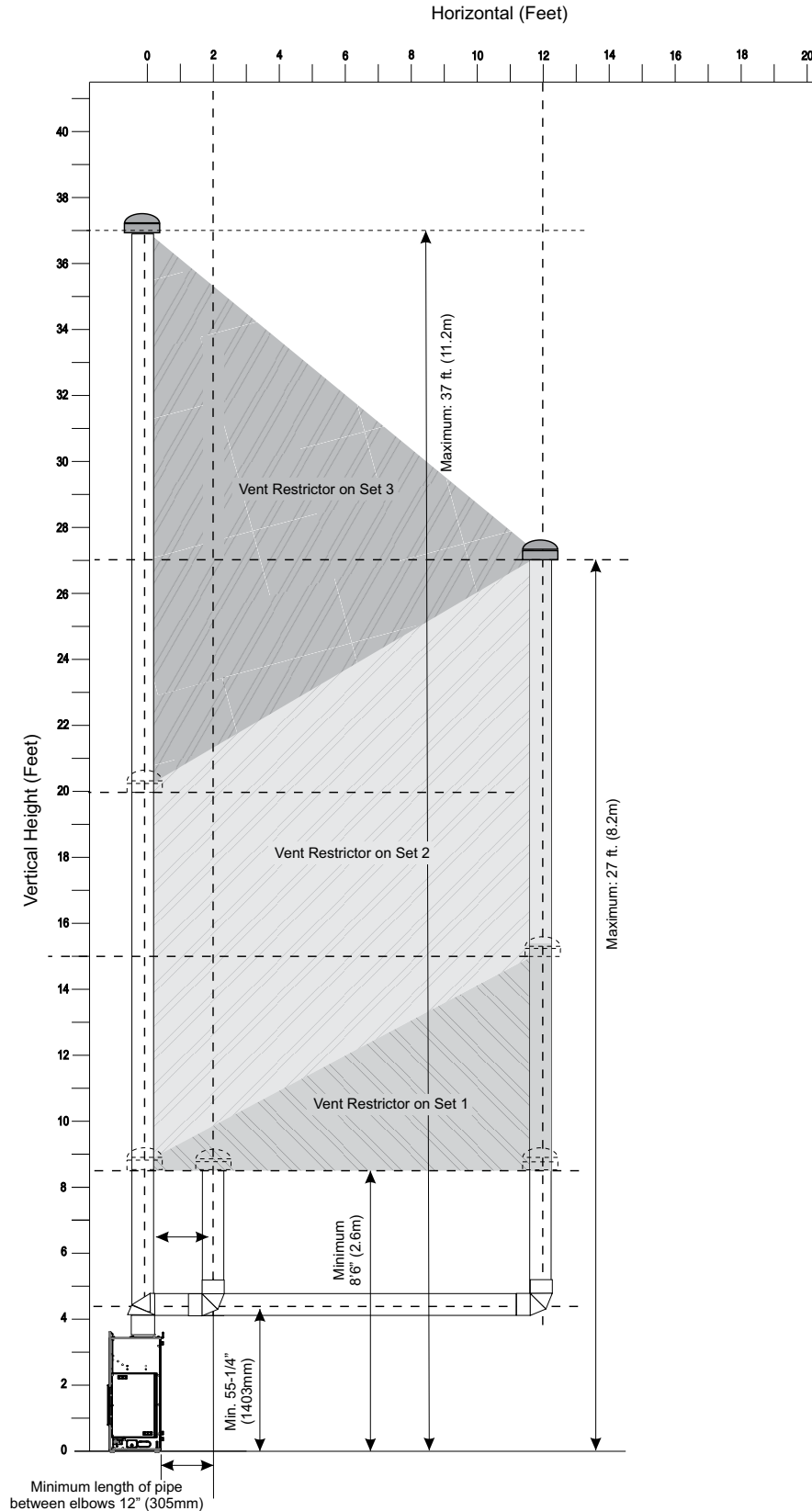
The FPI AstroCap™ and FPI Riser Vent terminal are certified for installations using FPI venting systems as well as Simpson Dura-Vent® Direct Vent, American Metal Products Ameri Vent Direct Vent, Security Secure Vent®, ICC Excel, Olympia Ventis DV, Selkirk Direct-Temp. AstroCap™ is a proprietary trademark of FPI Fireplace Products International Ltd. Dura-Vent® and Direct Vent are registered and/or proprietary trademarks of Simpson Dura-Vent Co. Inc.

Venting Arrangement for Vertical Terminations

Vertical venting with straight vertical venting and or with a max. of two (2) 90° Elbows (1 - 90° = 2 - 45°)

The shaded area in the diagram shows all allowable combinations of straight vertical and offset to vertical terminations, using two 90° elbows, with **Rigid Pipe Venting Systems**.

- Two 45° elbows equal to one 90° elbow.
- Vent must be supported at offsets.
- Minimum distance between elbows is 1 ft. (305mm).
- Maintain clearances to combustibles as listed in the "Clearances" section.
- Horizontal vent must be supported every 3 feet.
- Firestops are required at each floor level and whenever passing through a wall.
- Must use optional rigid pipe adaptor (Part# 770-994) when using rigid pipe vent systems.
- Refer to the "Vent Restrictor Position" section for details on how to change the vent restrictor from the factory setting of Set 0 through to Set 3 if required.



installation

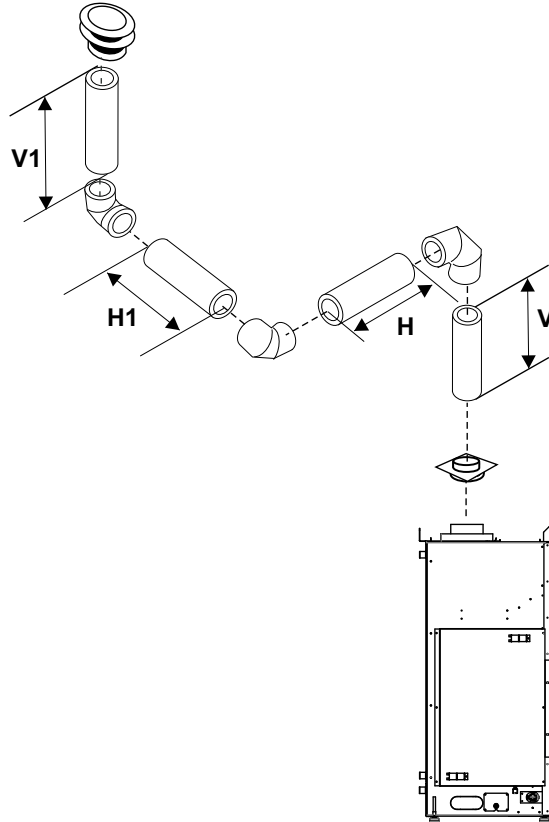
Vertical Terminations Rigid Pipe 5" x 8"

- Two 45° elbows equal to one 90° elbow. Maximum of six 45° elbows allowed.
- Vent must be supported at offsets.
- Minimum distance between elbows is 1 ft. (305mm).
- Maintain clearances to combustibles as listed in the "Clearances" section.
- Horizontal vent must be supported every 3 feet.
- Firestops are required at each floor level and whenever passing through a wall.
- Must use optional rigid pipe adaptor (Part# 770-994 when using rigid pipe vent systems)

Vertical Venting with Three (3) 90° Elbows

One 90° elbow = Two 45° elbows.

Option	V	H + H1	V + V1	
A)	1' Min.	2' Max	3' Min.	With these options, max. total pipe length is 30 feet with min. of 10 feet total vertical and max. 8 feet total horizontal. Please note min. 1 foot between 90° elbows is required.
B)	2' Min.	3' Max	4' Min.	
C)	3' Min.	4' Max	6' Min.	
D)	4' Min.	5' Max	7' Min.	
E)	5' Min.	6' Max	8' Min.	
F)	6' Min.	7' Max	9' Min.	
G)	7' Min.	8' Max	10' Min.	
Lengths do not include elbow indicated Restrictor Set 0 - Factory Setting				



Unit Installation with Horizontal Termination

5" x 8" venting

(Rigid Vent Systems)

Minimum Vent Clearances to Combustibles

* Clearances noted below must be maintained; except when passing through a wall, ceiling or at the termination where the use of a firestop or wall thimble reduces clearance to 1-1/2" (38mm).

Horizontal Top*	3" (76mm)*
Horizontal Side	2" (51mm)
Horizontal Bottom	2" (51mm)
Vertical Vent	2" (51mm)

Below are the recommended framing dimensions (inside measurements) for the 5" x 8" rigid vent terminations - for use with a firestop or wall thimble.

Recommended Framed Opening Size	
Vent Size	Framing Size
5" x 8"	11" x 11"

Install the vent system according to the manufacturer's instructions included with the components.

1. Set the unit in its desired location. Check to determine if wall studs or roof rafters are in the way when the venting system is attached. If this is the case, you may want to adjust the location of the unit. Rough in the gas preferably on the right side of the unit and the electrical (junction block is on the left side) on the left.
2. Direct Vent pipe and fittings are designed with special twist-lock connections to connect the venting system to the appliance flue outlet. A twist-lock appliance adaptor is required.
3. In conjunction with the Approved Vent system, install the adaptor after the unit is set in its desired location. Put a bead of Mill-Pac inside the outer section of the adapter and a bead of Mill-Pac on the inner collar. Slip the adapter over the existing inner and outer flue collar. Fasten to the outer collar only with the 3 supplied screws (drilling pilot holes will make this easier).
4. Level the fireplace and fasten it to the framing using nails or screws through the top and side nailing strips.

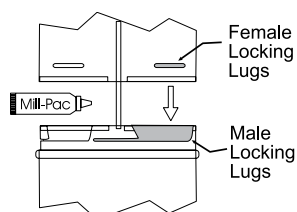


Diagram 1

5. Assemble the desired combination of pipe and elbows to the appliance adaptor and twist-lock for a solid connection.

Note: For best results and optimum performance with each approved venting system, it is highly recommended to apply Mill-Pac sealant (supplied) to every inner pipe connection. Failure to do so may result in drafting or performance issues not covered under warranty.

Horizontal runs of vent must be supported every 3 feet (0.9meter). Wall straps are available for this purpose.

6. Mark the wall for a square hole.-see chart to left for size. The center of the square hole should line up with the center-line of the horizontal pipe. Cut and frame the square hole in the exterior wall where the vent will be terminated. See diagram 2 for center line requirements.

If the wall being penetrated is constructed of non-combustible material, i.e. masonry block or concrete, an 8" (203mm) diameter hole is acceptable.

Note:

- a) The horizontal run of vent must be level, or have a 1/4 inch rise for every 1 foot of run towards the termination. Never allow the vent to run downward. This could cause high temperatures and may present the possibility of a fire.
- b) The location of the horizontal vent termination on an exterior wall must meet all local and national building codes.

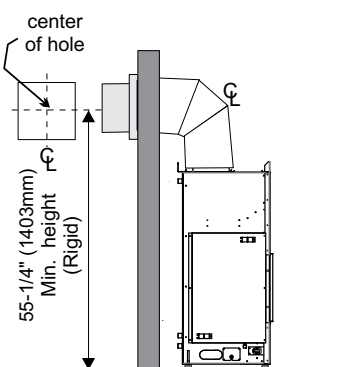


Diagram 2

7. Ensure that the pipe clearances to combustible materials are maintained (Diagram 3). Install the termination cap.

Note: If installing termination on a vinyl siding covered wall, a vinyl siding standoff or furring strips must be used to ensure that the termination is not recessed into the siding.

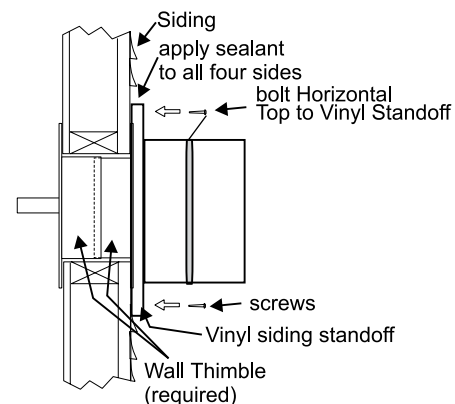


Diagram 3

The four wood screws provided should be replaced with appropriate fasteners for stucco, brick, concrete, or other types of sidings.

8. Before connecting the horizontal run of vent pipe to the vent termination, slide the Wall Thimble over the vent pipe. The wall thimble is required for all horizontal terminations.
9. Slide the appliance and vent assembly towards the wall carefully inserting the vent pipe into the vent cap assembly. It is important that the vent pipe extends into the vent cap sufficient distance so as to result in a minimum pipe overlap of 1-1/4 inches (32mm). Secure the connection between the vent pipe and the vent cap.
10. Install wall thimble in the center of the framed hole and attach with wood screws (Diagram 4).

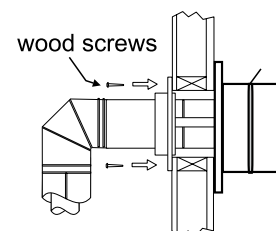


Diagram 4

installation

Unit Installation with Horizontal Termination

5" X 8" VENTING (Flex Vent Systems)

Minimum Vent Clearances to Combustibles

* Clearances noted below must be maintained; except when passing through a wall, ceiling or at the termination where the use of a firestop or wall thimble reduces clearance to 1-1/2" (38mm).

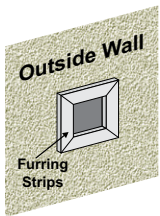
Horizontal Top*	3" (76mm)*
Horizontal Side	2" (51mm)
Horizontal Bottom	2" (51mm)
Vertical Vent	2" (51mm)

Below are the recommended framing dimensions (inside measurements) for the 5" x 8" rigid vent terminations - for use with a firestop or wall thimble.

Recommended Framed Opening Size	
Vent Size	Framing Size
5" x 8"	11" x 11"

1. Locate the unit in the framing, rough in the gas (preferably on the right side of the unit). Locate the centerline of the termination and mark wall accordingly. Cut an square hole in the wall - see chart (inside dimension).

Note: If installing termination on a siding covered wall, a vinyl siding standoff or vinyl furring strips must be used to ensure that the termination is not recessed into the siding.



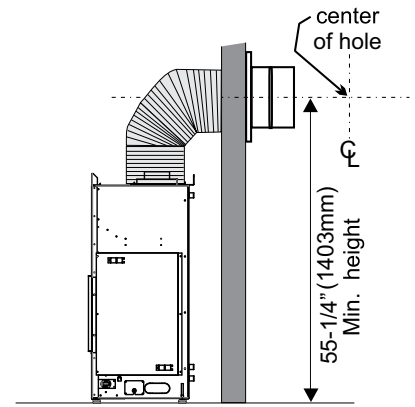
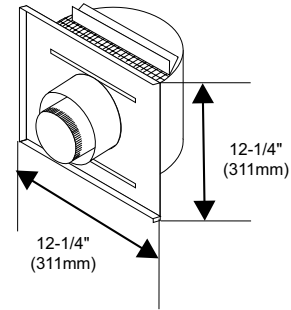
2. Level the fireplace and fasten it to the framing using nails or screws through the nailing strips.
3. Assemble the vent assembly by applying Mill Pac to the inner flue collar of the termination and slipping the inner flex liner over it at least 1-3/8" (35mm). Fasten with the 3 screws (drilling pilot holes will make this easier). Apply Mill-Pac to the outer flex pipe and slip it over the outer flue collar of the vent terminal at least 1-3/8" (35mm) and fasten with the 3 screws.

NOTE: Horizontal sections must be supported at intervals not exceeding 3 feet (0.9 meter). (Flame picture and performance will be affected by sags in the liner).

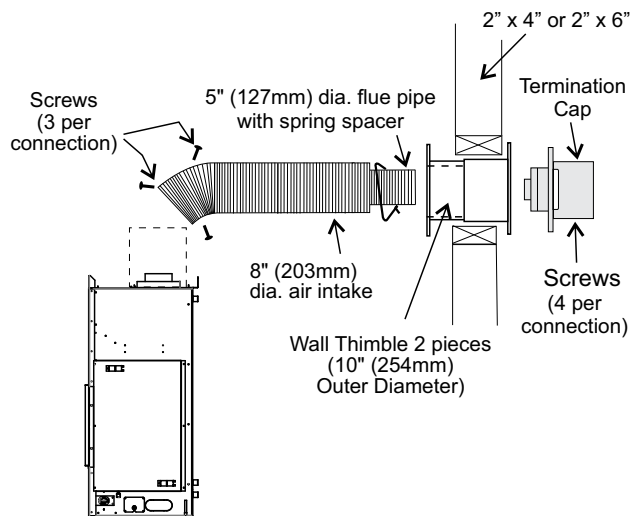
4. Separate the 2 halves of the wall thimble and securely fasten the one with the tabs to the outside wall making sure that the tabs are on top and bottom. Fasten the other thimble half to the inside wall. The thimble halves slip inside each other and can be adjusted for 2 x 4 or 2 x 6 walls.
5. Slip the assembled liner and termination assembly through the thimble making sure the termination cap faces up (there are markings on the cap indicating which way is up). This will position the termination cap with proper down slope for draining water. Fasten the cap to the outer wall with the 4 supplied screws.
6. Pull the centre inner and outer flex liner out enough to slip over the flue collars of the fireplace. (You may wish to cut the liner shorter to make it more workable.) Do not bend liner more than 90°. The liners must slip over the collars a minimum of 1-3/8".
7. Apply Mill Pac over the fireplace inner flue collar and slip the inner flex liner down over it and attach with 3 supplied screws.
8. Do the same with the outer flue collar and outer flex liner.
9. Apply a bead of silicone between the thimble and termination and around the outer edge of the terminal at the wall in order to keep the water out.

IMPORTANT: Do not locate termination hood where excessive snow or ice buildup may occur. Be sure to check vent termination area after snow falls, and clear to prevent accidental blockage of venting system. When using snow blowers, make sure snow is not directed towards vent termination area.

ASTROCAP DIMENSIONS (946-623/P)



NOTE: A minimum of 1' (305mm) vertical off the top of the unit is required before any horizontal runs can start.



Unit Installation with Horizontal Termination

(Rigid Vent Systems)

A top clearance of 3" (76mm) and side & bottom clearance of 2" (51mm) must be maintained; except when passing through a wall, ceiling, or at the termination where the use of a firestop or wall thimble reduces the required clearance to 1-1/2" (38mm). We recommend framing a 11" (279mm) x 11" (279mm) (inside dimensions) hole to give structural rigidity for mounting the termination.

Install the vent system according to the manufacturer's instructions included with the components.

1. Set the unit in its desired location. Check to determine if wall studs or roof rafters are in the way when the venting system is attached. If this is the case, you may want to adjust the location of the unit. Rough in the gas preferably on the right side of the unit.
2. Direct Vent pipe and fittings are designed with special twist-lock connections to connect the venting system to the appliance flue outlet. A twist-lock appliance adaptor is required.
3. In conjunction with the Simpson Direct Vent Pro system, install the adaptor after the unit is set in its desired location. Put a bead of Mill-Pac inside the outer section of the adaptor and on the inner collar. Slip the adaptor over the existing inner and outer flue collar. Fasten to the outer collar only with the 3 supplied screws (drilling pilot holes will make this easier).
4. Level the fireplace and fasten it to the framing using nails or screws through the top and side nailing strips.
5. Assemble the desired combination of pipe and elbows to the appliance adaptor and twist-lock for a solid connection.

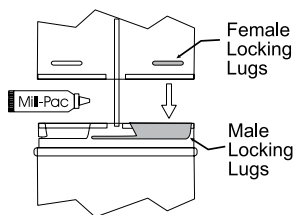


Diagram 1

Note: For best results and optimum performance with each approved venting system, it is highly recommended to apply "Mill-Pac" sealant (supplied) to every inner pipe connection. Failure to do so may result in drafting or performance issues not covered under warranty.

Horizontal runs of vent must be supported every 3 feet (0.9meter). Wall straps are available for this purpose.

- 6) Mark the wall for a 11" x 11" (279mm x 279mm) square hole. The center of the square hole should line up with the center-line of the horizontal pipe. Cut and frame the 11 inch (279mm) square hole in the exterior wall where the vent will be terminated. See diagram 2 for center line requirements.

If the wall being penetrated is constructed of non-combustible material, i.e. masonry block or concrete, an 8" (203mm) diameter hole is acceptable.

Note:

- a) The horizontal run of vent must be level, or have a 1/4 inch rise for every 1 foot of run towards the termination. Never allow the vent to run downward. This could cause high temperatures and may present the possibility of a fire.

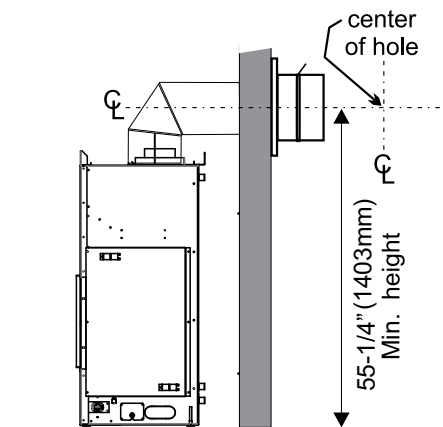


Diagram 2

- b) The location of the horizontal vent termination on an exterior wall must meet all local and national building codes, and must not be blocked or obstructed. See "Exterior Vent Termination Locations" section for more details.

- 7) Ensure that the pipe clearances to combustible materials are maintained (Diagram 3). Install the termination cap.

Note: If installing termination on a vinyl siding covered wall, a vinyl siding standoff or furring strips must be used to ensure that the termination is not recessed into the siding.

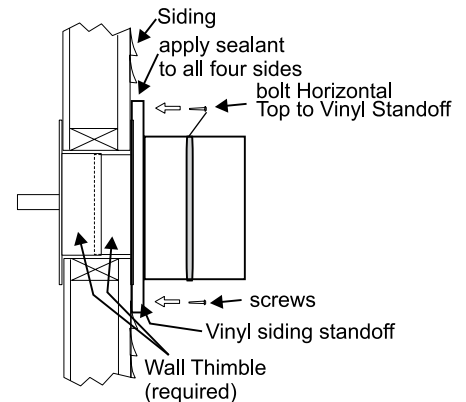


Diagram 3

The four wood screws provided should be replaced with appropriate fasteners for stucco, brick, concrete, or other types of sidings.

- 8) Before connecting the horizontal run of vent pipe to the vent termination, slide the Wall Thimble over the vent pipe. The wall thimble is required for all horizontal terminations.
- 9) Slide the appliance and vent assembly towards the wall carefully inserting the vent pipe into the vent cap assembly. It is important that the vent pipe extends into the vent cap sufficient distance so as to result in a minimum pipe overlap of 1-1/4 inches (32mm). Secure the connection between the vent pipe and the vent cap.
- 10) Install wall thimble in the center of the 11" (279mm) square and attach with wood screws (Diagram 4).

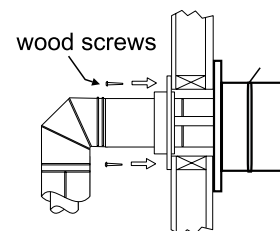


Diagram 4

installation

Unit Installation with Vertical Termination

(Rigid Vent Systems)

Note: A top clearance of 3" (76mm) and side bottom clearance of 2" (51mm) must be maintained; except when passing through a wall, ceiling, or at the termination where the use of a firestop or wall thimble reduces the required clearance to 1-1/2" (38mm). We recommend framing a 11" (279mm) x 11" (279mm) (inside dimensions) hole to give structural rigidity for mounting the termination.

1) Maintain the 1-1/2" (38mm) clearances (air spaces) to combustibles when passing through ceilings, walls, roofs, enclosures, attic rafter, or other nearby combustible surfaces, ensuring that the use of a firestop or wall thimble is used as noted above. Do not pack air spaces with insulation. Check "Venting Arrangement - Vertical Termination" section for the maximum vertical rise of the venting system and the maximum horizontal offset limitations.

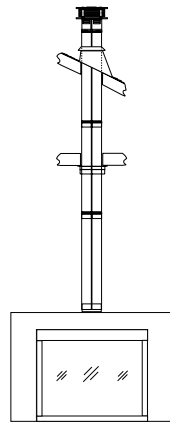


Diagram 1

2) Set the gas appliance in its desired location. Drop a plumb bob from the ceiling to the position of the appliance flue exit, and mark the location where the vent will penetrate the ceiling. Drill a small hole at his point. Next, drop a plumb bob from the roof to the hole previously drilled in the ceiling, and mark the spot where the vent will penetrate the roof. Determine if ceiling joists, roof rafters or other framing will obstruct the venting system. You may wish to relocate the appliance or to offset, as shown in Diagram 2 to avoid cutting load bearing members.

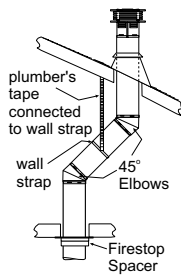


Diagram 2

3) A Firestop spacer must be installed in the floor or ceiling of every level.

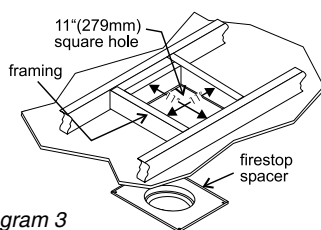
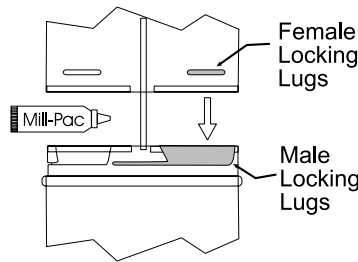


Diagram 3

4) Assemble the desired lengths of pipe and elbows. Ensure that all pipes and elbow connections are in the fully twist-locked position and sealed.

Note: For best results and optimum performance with each approved venting system, it is highly recommended to apply "Mill-Pac" sealant to every inner pipe connection. Failure to do so may result in drafting or performance issues not covered under warranty.



5) Cut a hole in the roof centered on the small drilled hole placed in the roof in Step 2. The hole should be of sufficient size to meet the minimum requirements for clearance to combustibles of 1-1/2" (38mm). Slip the flashing under the shingles (shingles should overlap half the flashing) as per Diagram 4.

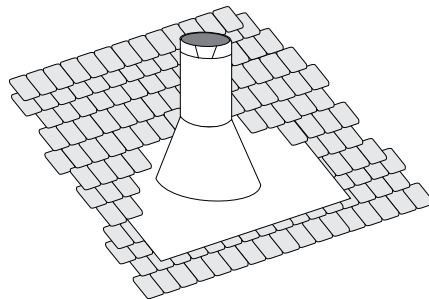


Diagram 4: The upper half of the flashing is installed under the roofing material and not nailed down until the chimney is installed. This allows for small adjustments.

6) Continue to assemble pipe lengths.

Note: If an offset is necessary in the attic to avoid obstructions, it is important to support the vent pipe every 3 feet (0.9 meter), to avoid excessive stress on the elbows, and possible separation. Wall straps are available for this purpose (Diagram 2).

Galvanized pipe is desirable above the roofline due to its higher corrosion resistance. Continue to add pipe sections through the flashing until the height of the vent cap meets the minimum height requirements specified in Diagram 5 or local codes. Note that for steep roof pitches, the vertical height must be increased.

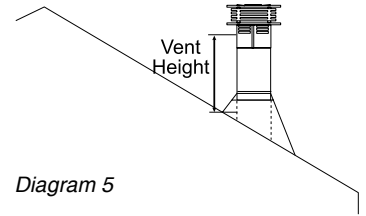


Diagram 5

Roof Pitch	Minimum Vent Height	
	Feet	Meters
flat to 7/12	2	0.61
over 7/12 to 8/12	2	0.61
over 8/12 to 9/12	2	0.61
over 9/12 to 10/12	2.5	0.76
over 10/12 to 11/12	3.25	0.99
over 11/12 to 12/12	4	1.22
over 12/12 to 14/12	5	1.52
over 14/12 to 16/12	6	1.83
over 16/12 to 18/12	7	2.13
over 18/12 to 20/12	7.5	2.29
over 20/12 to 21/12	8	2.44

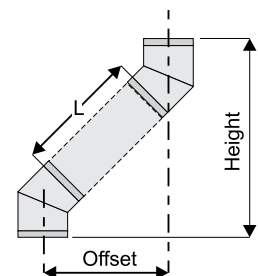
A poor draft, or down drafting can result from high wind conditions near big trees or adjoining roof lines, in these cases, increasing the vent height may solve the problem.

- 7) Ensure vent is vertical and secure the base of the flashing to the roof with roofing nails, slide storm collar over the pipe section and seal with a mastic.
- 8) Install the vertical termination cap by twist-locking it.

Note: Any closets or storage spaces, which the vent passes through must be enclosed.

Offset Chart

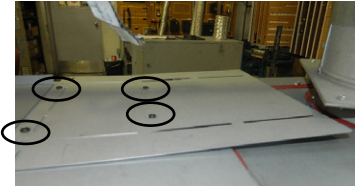
GS 8" (203mm) Nominal Diameter ID					
Offset	Pipe Length (L)		Height		
inches	mm	inches	mm	inches	mm
4 3/4	121	0	0	13 1/4	337
9	229	6	152	17 1/2	445
11 1/4	286	9	229	19 1/2	495
13 1/4	337	12	305	21 3/4	552
21 3/4	552	24	610	30 1/4	768
30 1/4	768	36	914	39	991
38	965	48	1219	47	1194



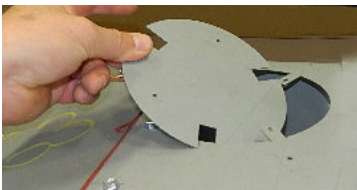
Heatwave Deflector + Heatwave Venting Installation

NOTE: Install the Heatwave venting to the unit before moving unit into framing to allow access to the back screws.

1. Remove the deflector from the top of the unit by removing 4 screws.



2. Remove the knockout from the top of the unit and recycle.



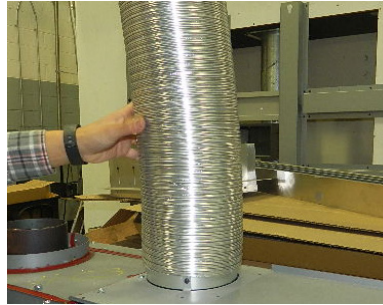
3. Fold up 3 tabs up as shown.



4. Connect pipe adaptor with 3 screws (use the lower holes on the adaptor).



5. Connect the flex pipe to the adaptor with 3 screws.



6. Fold the deflector (removed from Step 1) fold the 4 tabs to 90° and secure the tabs to the unit with 4 screws.



installation

CV72E NG SYSTEM DATA	
Max. Supply Pressure	14"WC (3.45 Kpa)
Min. Supply Pressure	5" WC (1.25 kpa)
Manifold Pressure	3.5" WC (0.87 kpa)
Orifice Size	#30 DMS
Maximum Input	46,500 Btu/h (13.63 kW)
Minimum Input	32,000 Btu/h (9.37 KW)

CV72E LP SYSTEM DATA	
Max. Supply Pressure	14"WC (3.45 Kpa)
Min. Supply Pressure	11" WC (2.73 kpa)
Manifold Pressure	10" WC (2.49 kpa)
Orifice Size	#47 DMS
Maximum Input	45,500 Btu/h (13.33 kW)
Minimum Input	36,000 Btu/h (10.55 KW)

High Elevation

This unit is approved for altitude 0 to 4500 ft. (CAN1 2.17-M91).

Gas Line Installation

Since some municipalities have additional local codes it is always best to consult with your local authorities and the CAN/CGA B149 installation code.

For USA installations follow local codes and/or the current National Fuel Gas Code, ANSI Z223.1.

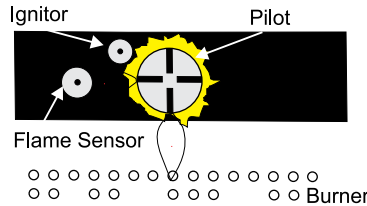
When using copper or flex connectors use only approved fittings. Always provide a union so that gas lines can be easily disconnected for servicing. Flare nuts for copper lines and flex connectors are usually considered to meet this requirement.

NOTE: A shutoff / dante valve should be supplied in or near the unit (or as per local codes) for ease of servicing this appliance.

IMPORTANT: Always check for gas leaks with a soap and water solution or gas leak detector. Do not use open flame for leak testing.

Pilot Adjustment

Periodically check the pilot flames. Correct flame pattern has two strong blue flames: 1 flowing around the flame sensor and 1 flowing across the burner (it does not have to be touching the burner).



Note: If you have an incorrect flame pattern, contact your Regency® dealer for further instructions.

Incorrect flame pattern will have small, probably yellow flames, not coming into proper contact with the rear burner or flame sensor.

Gas Pipe Pressure Testing

The appliance must be isolated from the gas supply piping system by closing its individual manual shut-off valve during any pressure testing of the gas supply piping system at test pressures equal to or less than 1/2 psig. (3.45 kPa). Disconnect piping from valve at pressures over 1/2 psig.

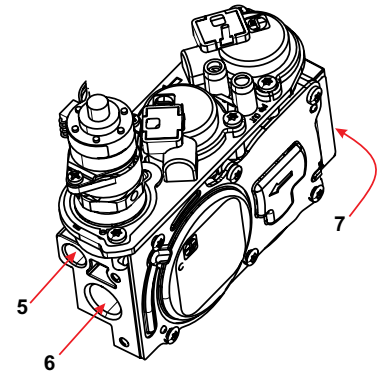
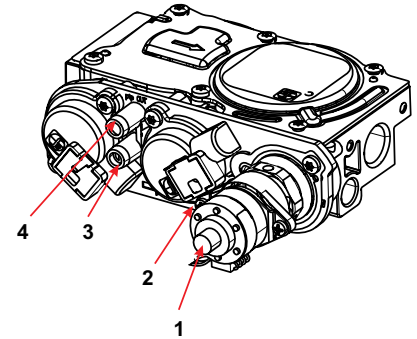
The manifold pressure is controlled by a regulator built into the gas control, and should be checked at the pressure test point.

Note: To properly check gas pressure, both inlet and manifold pressures should be checked using the valve pressure ports on the valve.

- 1 Make sure the unit is in the "OFF" position.
- 2 Loosen the "IN" and/or "OUT" pressure tap(s), turning counterclockwise with a 1/8" wide flat screwdriver.
- 3 Attach manometer to "IN" and/or "OUT" pressure tap(s) using a 5/16" ID hose.
- 4 Turn the unit on with the remote or wall switch
- 5 The pressure check should be carried out with the unit burning and the setting should be within the limits specified on the safety label.
- 6 When finished reading manometer, turn off the unit, disconnect the hose and tighten the screw (clockwise) with a 1/8" flat screwdriver.
Note: Screw should be snug, but do not over tighten.

885 S.I.T. Valve Description

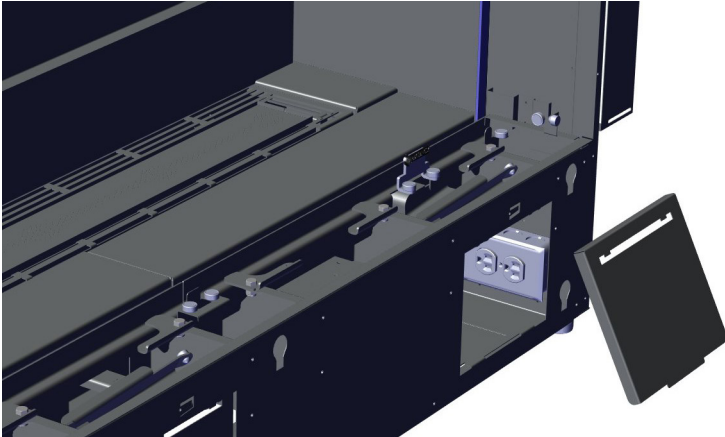
- 1) 6 Stage flame adjustment
- 2) Pilot adjustment
- 3) Outlet Pressure Tap
- 4) Inlet Pressure Tap
- 5) Pilot Outlet
- 6) Main Gas Outlet
- 7) Main Gas Inlet



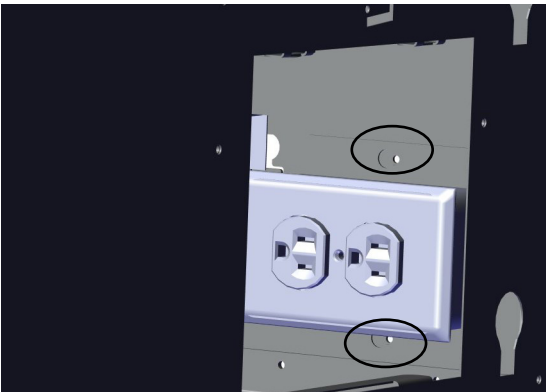
Wiring the Unit

The wiring for the unit should be completed before any finishing material is installed.

1. Remove the right access panel--see access panel removal instructions in this manual.

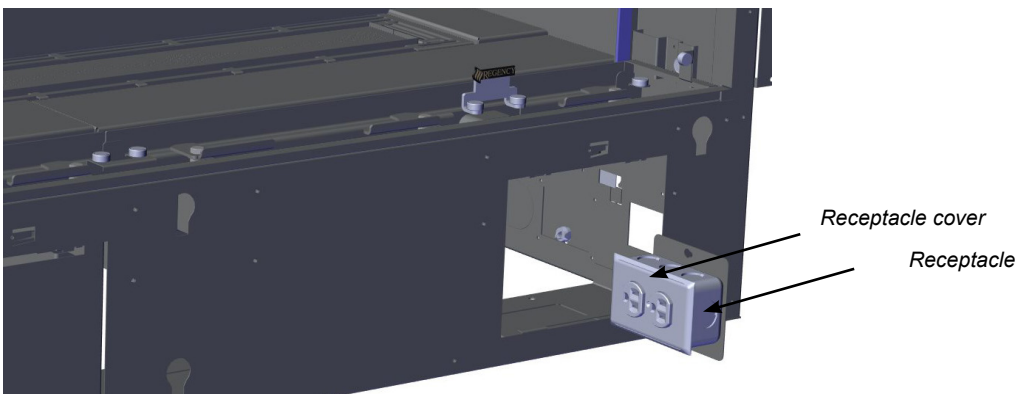


2. Loosen 2 screws in locations shown below.



3. Slide electrical box plate towards the back of the unit and then out.

4. Bring the wiring from inside the wall through the opening created when the plate was removed in the previous step.



5. Wire the electrical box.

NOTE: The receptacle and receptacle cover may be located in the manual pack and may need to be installed.

6. Feed any excess wiring into the wall and reinstall the plate onto the wall of the unit.

7. Reinstall electrical box and plate onto screws.

8. Tighten screws to secure.

installation

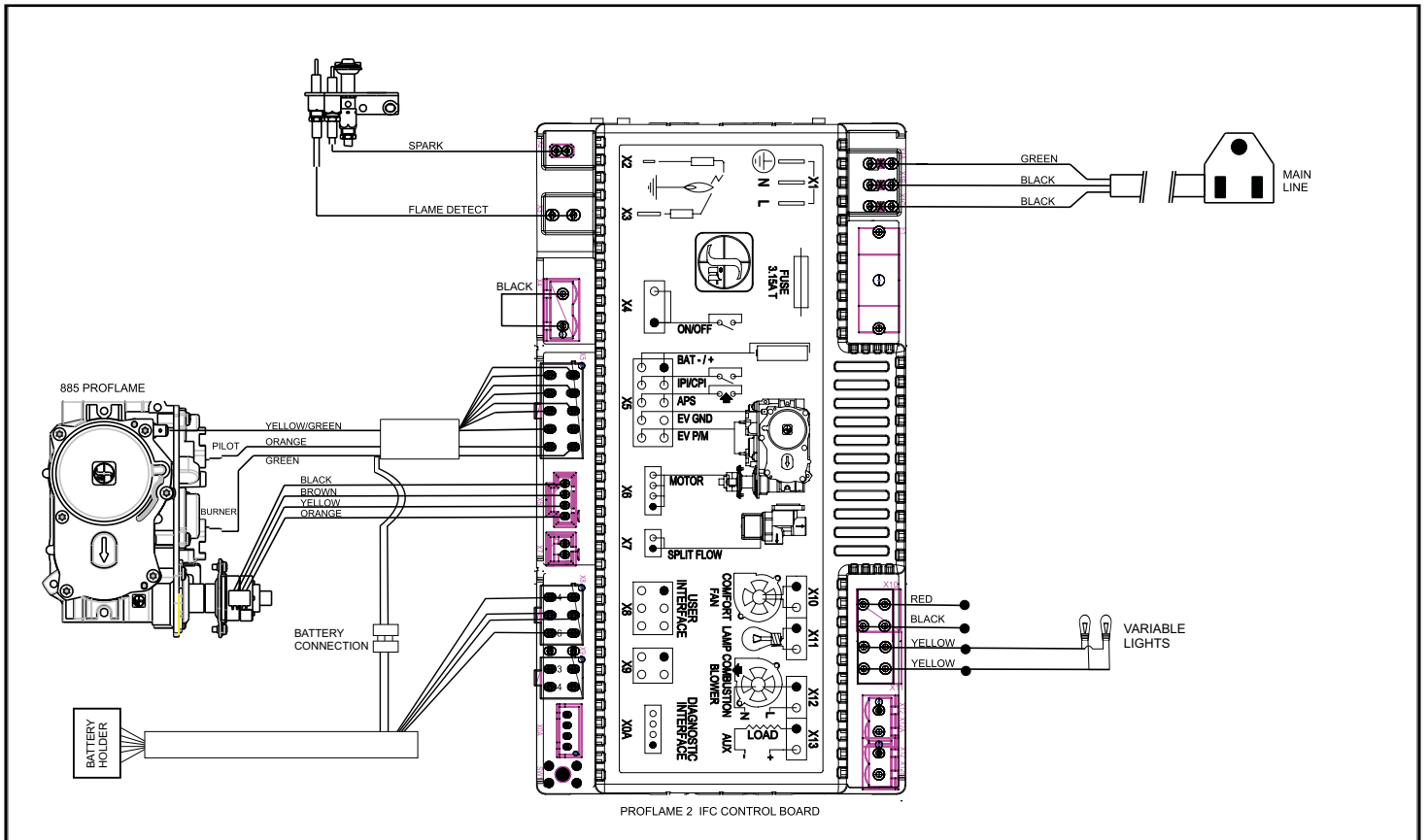
Wiring Diagrams

No electrical power supply is required for the gas control to operate. 120 Volt AC power is needed for the lights. A receptacle box, receptacle and cover are provided and located on the right hand side of the unit, under the outer base panel.

(Do not cut the ground terminal off under any circumstances.)

Caution: Ensure that the wires do not touch any hot surfaces and are away from sharp edges.

Electrical power must be brought to the appliance by a licensed electrician.



CAUTION: Label all wires prior to disconnection when servicing controls. Wiring errors can cause improper and dangerous operation.

This appliance is equipped with a three-prong (grounding) plug for your protection against shock hazard and should be plugged directly into a properly grounded three-prong receptacle. Do not cut or remove the grounding prong from this plug.

Inner glass panel (firebox glass) Installation / removal

📺 To watch the glass installation video click here: <http://youtu.be/DsPbbiLlbdU>

Note: glass panels must be installed to operate fireplace

WARNING: GLASS HANDLING

We recommend using the glass vacuum holders supplied by the manufacturer. Lower the glass to rest in a safe place, this is to prevent damage to the glass edges. Extra care must be taken when removing/installing the glass. Breakage or damage to the edge of the glass which occurs as a result of careless handling will not be covered under warranty.

- We recommend handling the glass with supplied vacuum clamps
- When removing glass—prepare a soft, scratch resistant surface to place the glass
- Never clean or remove hot glass

Note: The suction cups may leave a round film on the glass when used. Ensure that the glass is cleaned using a fireplace glass cleaner prior to operating the appliance.

1. Remove outer safety barrier glass panels if previously installed—see instructions in this manual.
2. Remove outer panels installed in unit - see panel removal section in this manual.

Press glass vacuum clamps in open position firmly onto surface of glass. Bring handles together to close.



Open



Closed



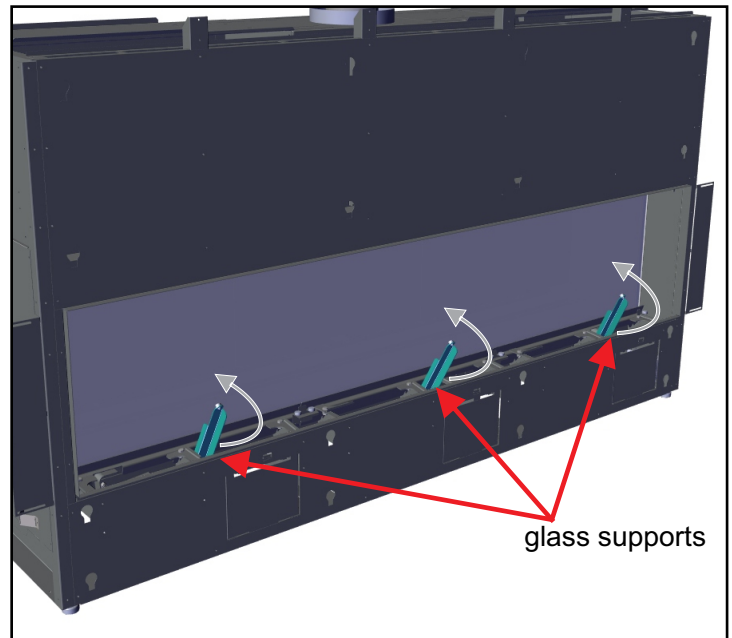
Handle glass with supplied vacuum clamps



[Glass removal video](#)

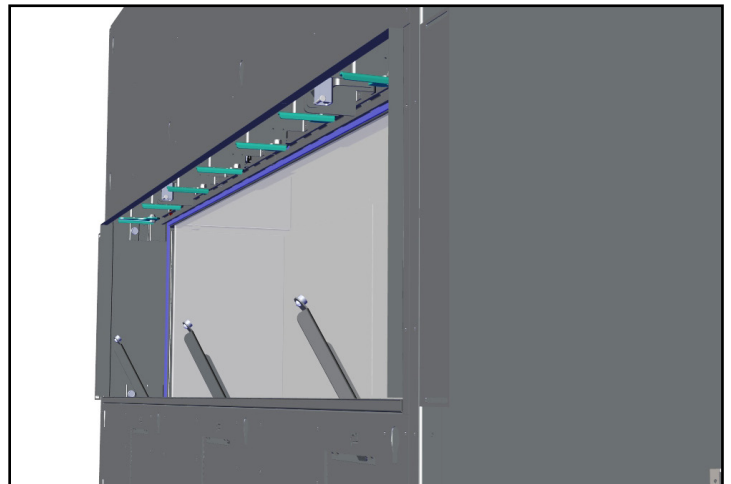
Note: the following installation diagrams do not include the vacuum clamps but it is strongly recommended to use clamps at all times when handling the firebox glass.

3. From the front inside lower panel of the unit—pivot the 3 glass supports into upright position as shown below.

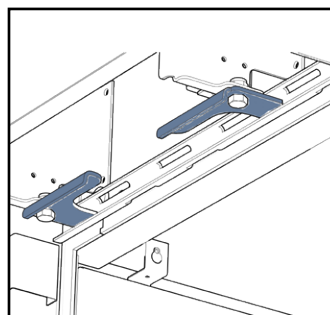


Glass supports in upright position

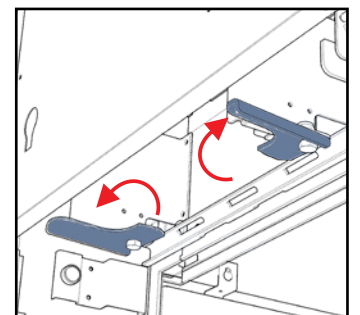
4. Open the 8 clamps at the top of the glass.



Top clamps in open position



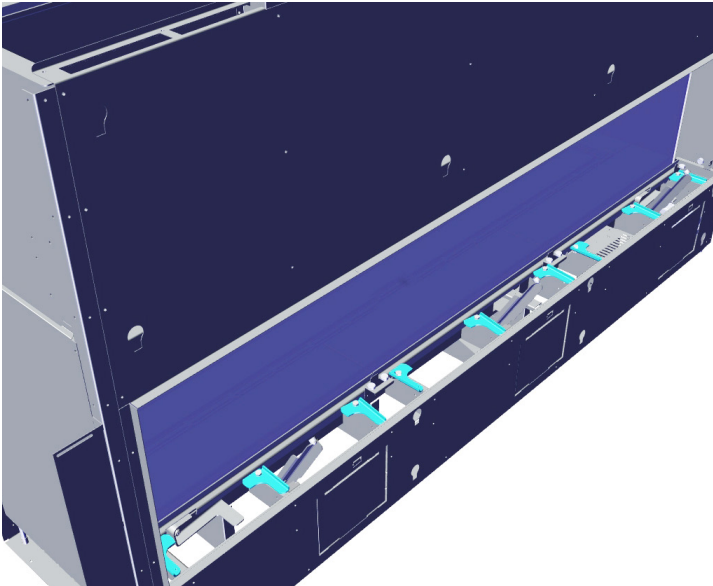
Clamps in closed position



Clamps in open position

installation

5. Support the glass with one hand and open the 9 lower clamps.--

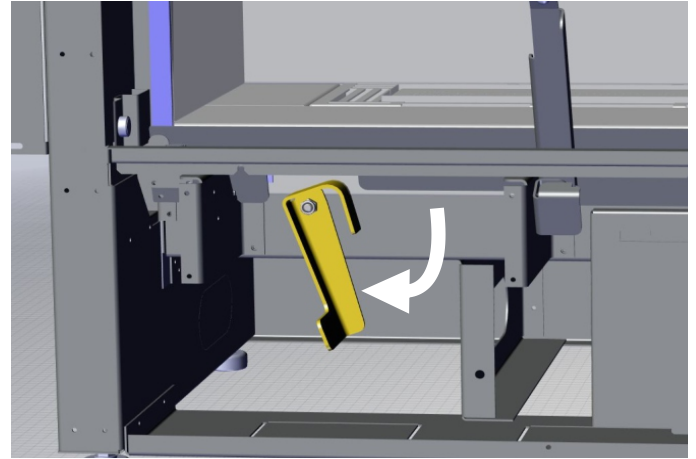
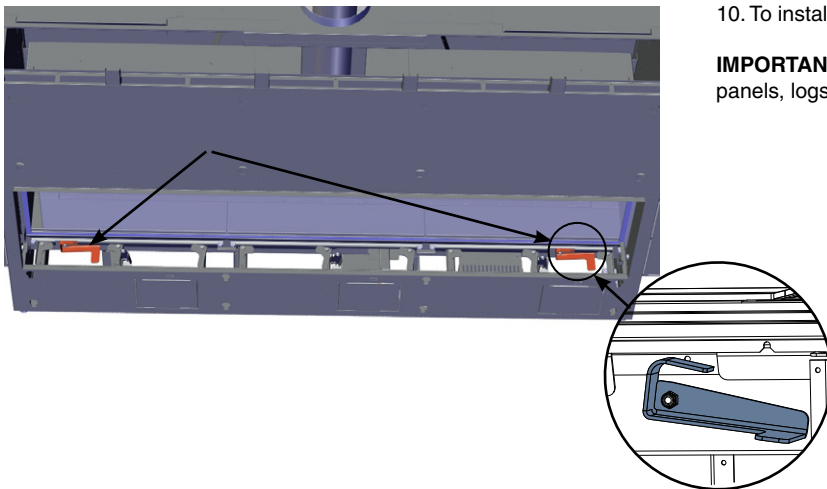


Lower clamps (x9) in open position

6. Pull the 3 lower glass gasket pads forward to release the glass.

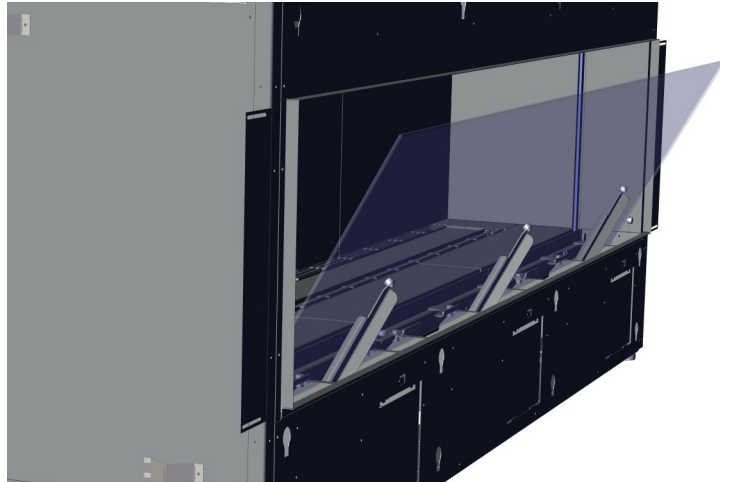


7. Locate the 2 levers below the glass and turn them both 90° in a clockwise direction to lower the firebox glass panel.



Push down on levers to lower glass panel

8. Carefully lean glass forward onto supports.



Glass panel--leaning on supports

NOTE: The firebox glass may remain propped on the glass supports to clean the interior surface. Use care when cleaning -- do not apply excessive force or pressure.

9. **To remove the firebox glass panel from the unit:** tilt the glass forward gently onto the glass supports, grip both suction clamps and lift the glass up and out of the unit.

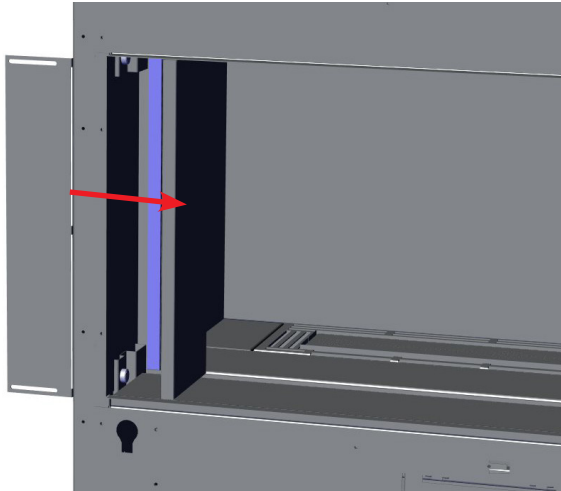
10. To install glass--reverse steps.

IMPORTANT: Remove glass panel completely when installing or removing panels, logs, media, etc. to avoid causing any damage to the glass.

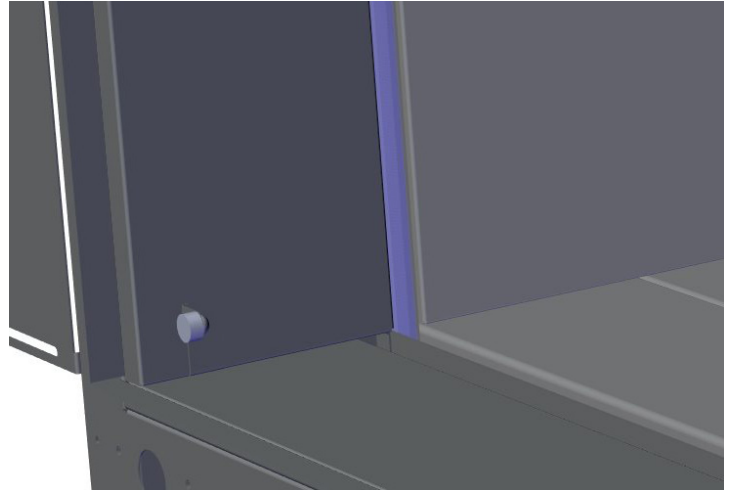
optional barrier glass stoppers installation / removal

There are 2 optional stoppers included in the manual pack which provide additional support to the glass barrier, if desired--install the stoppers prior to installation of the barrier glass.

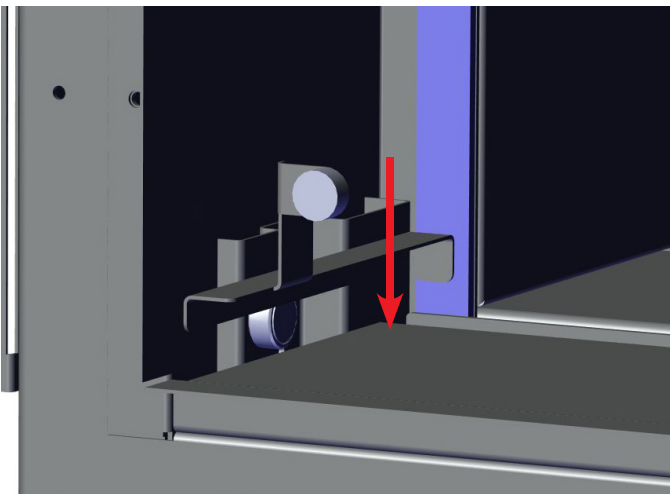
1. If already installed, remove the side panel by pulling off and lifting out.



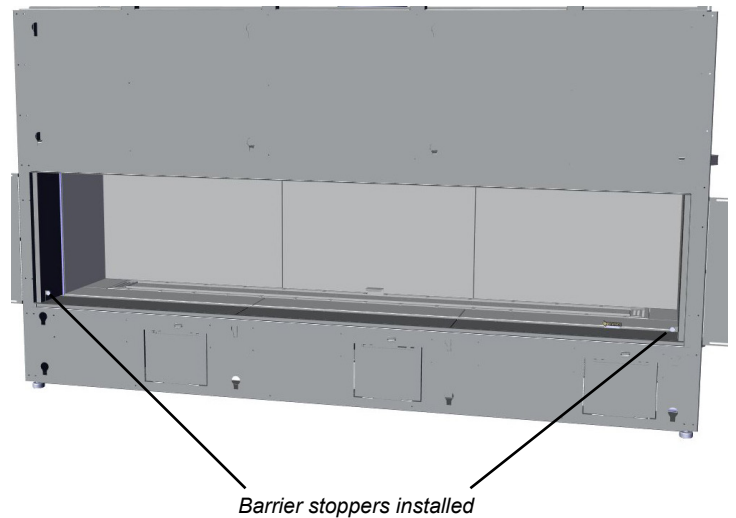
3. Reinstall the side panel.



2. Slide the stopper bracket in between the front panel and the unit wall as shown.



4. Repeat steps 1-3 on the opposite side.



5. Proceed to installation of the barrier glass.

installation

LP conversion instructions

**THIS CONVERSION MUST BE DONE BY A QUALIFIED GAS FITTER
IF IN DOUBT DO NOT DO THIS CONVERSION!**

WARNING

This conversion kit shall be installed by a qualified service agency in accordance with the manufacturer's instructions and all applicable codes and requirements of the authority having jurisdiction. If these instructions is not followed exactly, a fire, explosion or production of carbon monoxide may result causing property damage, personal injury or loss of life. The qualified service agency is responsible for the proper installation of this kit. The installation is not proper and complete until the operation of the converted appliance is checked as specified in the manufacturer's instructions supplied with the kit.

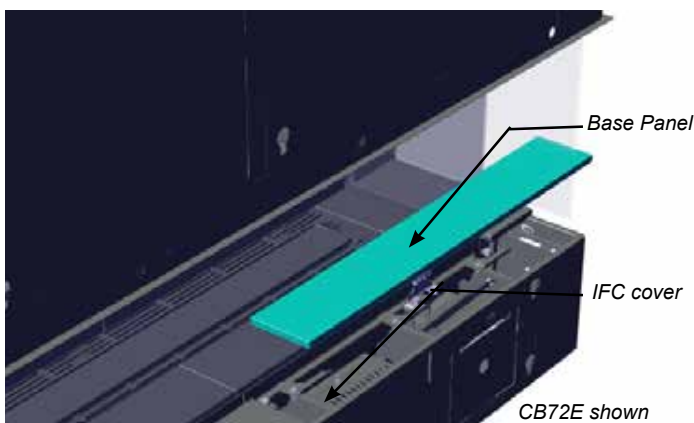
Conversion Kit 666-977 includes:

1	911-011	Stepper Motor LP for 885 SIT
1	905-014	Orifice #47
1	910-037	Pilot Orifice #30
1	918-590	Decal - Conversion to LP
1	908-528	Label Propane
1	904-529	5/32" long Allen Key
1	920-069	Instruction Sheet

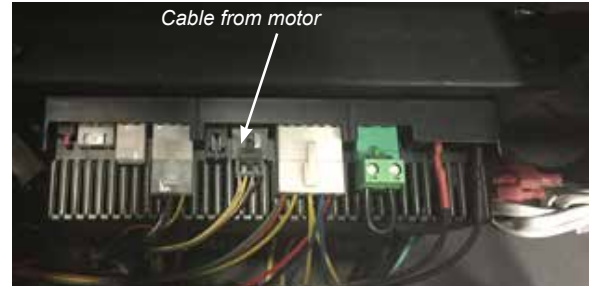
Caution: The gas supply shall be shut off prior to disconnecting the electrical power, before proceeding with the conversion.

Always let the appliance cool to room temperature before servicing.

1. Remove the outer panels and safety glass — see manual.
2. Remove inner firebox glass — see manual.
3. Remove inner panels — see manual.
4. Remove all media installed on burner (glass, logs or stones, etc).
5. Lift off the far right base panel and loosen 2 screws on IFC cover--removed cover to access IFC.



6. Disconnect the Cable coming from the Pressure Regulator Motor.

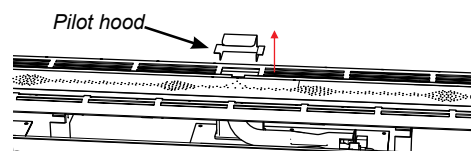


7. Remove and discard 2 Pressure regulator screws (A) using a (T20 or slot screwdriver,) Pressure Regulator (B) and Spring and Diaphragm (C) (see below).
8. Ensure the rubber gasket, which is prefitted as part of the Assembly, is properly positioned. Install the new Pressure Regulator using the 2x M4 x .7 screws supplied. Tighten the screws to 25lb-in. In the event that the screw threads are cross threaded or stripped, replace the valve assembly.

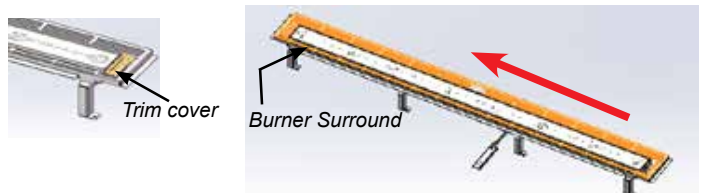
Install the enclosed propane identification label to the valve body where it can be easily seen.



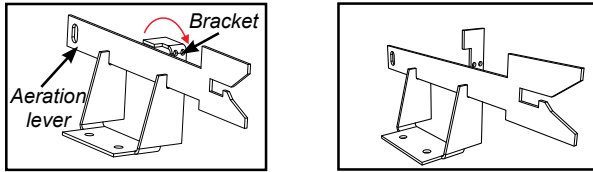
9. Re-attach the Pressure Regulator wire (disconnected in Step 6), and re-situate the IFC, secure the screws that fasten the IFC Mounting Brackets.
10. Remove pilot hood by lifting up and off.



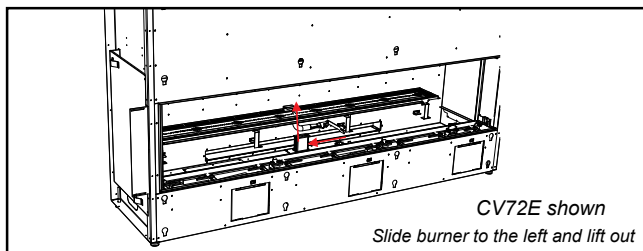
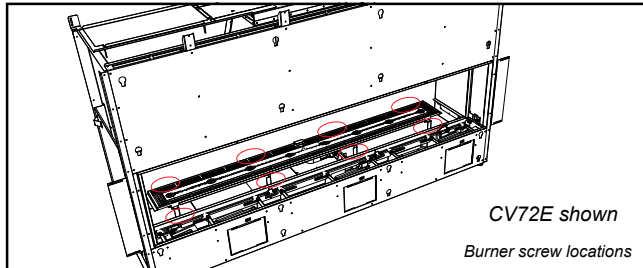
11. Remove the trim cover on right side of burner by lifting off. Also remove the burner surround by sliding to the left and lifting off.



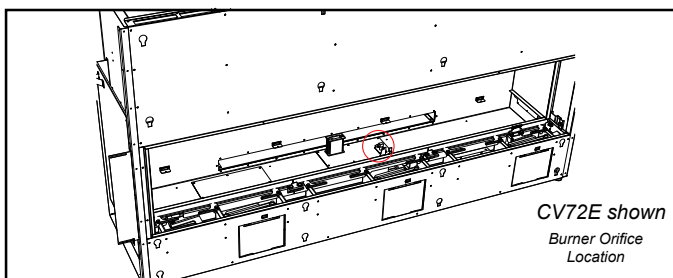
12. Bend the arm of the aeration lever bracket up from 90° to straighten and release aeration lever (lever will come with the burner).



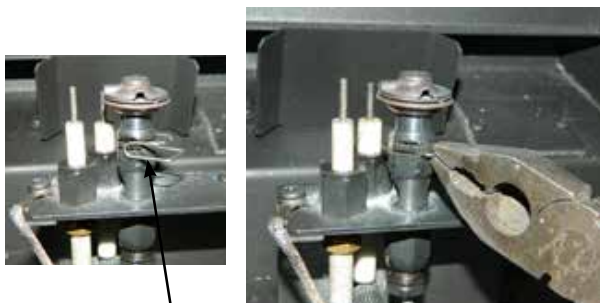
13. Loosen 8 screws in locations shown below (2 at front and 2 at rear)—slide burner to the left away from the orifice and lift out.



14. Remove burner orifice with a 3/8" wrench. Use another wrench to hold on to the elbow behind the orifice. Discard orifice. Reinstall new burner orifice LPG stamped #47 and tighten.



15. Remove pilot retainer clip with pliers and pull off the pilot cap to expose the pilot orifice.



Pilot retainer clip



16. Unscrew the pilot orifice with the Allen key; then replace with the LPG pilot orifice and the pilot cap, provided in the kit.



17. Reinstall pilot cap and pilot retainer clip.
18. Prior to installing burner—adjust aerations settings - to 3/8" for LP. Reinstall burner (see Step 11).
19. Ensure the pilot light is in the correct orientation to the Burner. Reconnect the gas and electrical supply to the appliance. Start the appliance. (see section on Lighting Instructions) Ensure that pilot and burner ignition is completed without delay. Check both your inlet and outlet pressures at full load. With a soapy solution, leak test the entire system. Verify both the correct flame and pilot appearance.
20. See Gas Pipe Pressure Testing in manual.

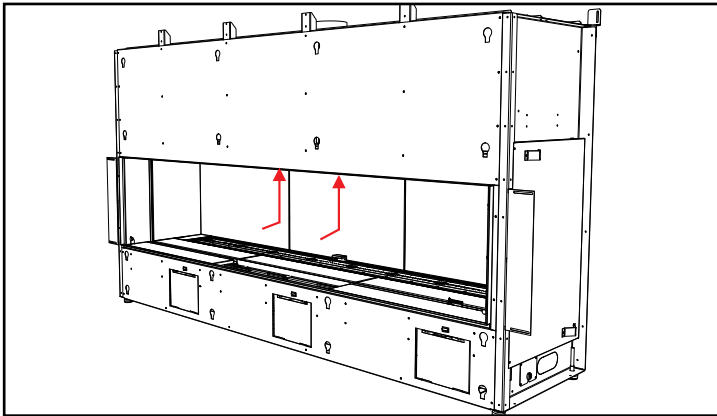
City Series NG SYSTEM DATA	
Min. Supply Pressure	11" WC (2.73kpa)
Manifold Pressure - High	10" WC (2.49 kpa)
Manifold Pressure - Low	6.4" WC (1.59 kpa)
Orifice Size	#47 DMS
Maximum Input	45,500 Btu/h (13.33 kW)
Minimum Input	36,000 Btu/h (10.55 kW)
Altitude	0-4500 ft (0-1372m)

Installer Notice:
These instructions must be left with the appliance.

maintenance

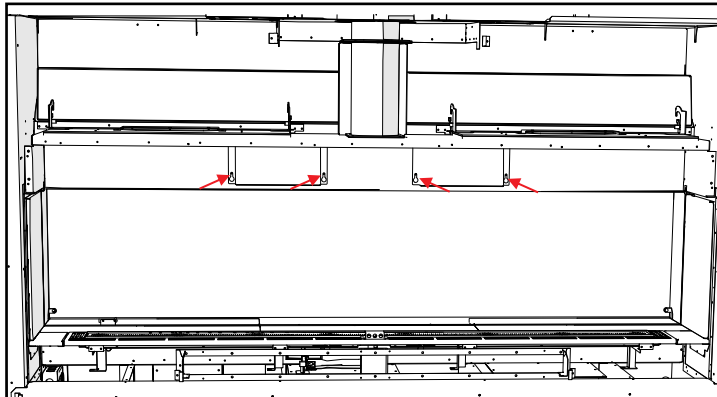
Bulb Replacement

1. Turn off power and gas to unit and allow to cool to room temperature.
2. Remove outer safety glass panels and inner panels (firebox glass)—see instructions in this manual.



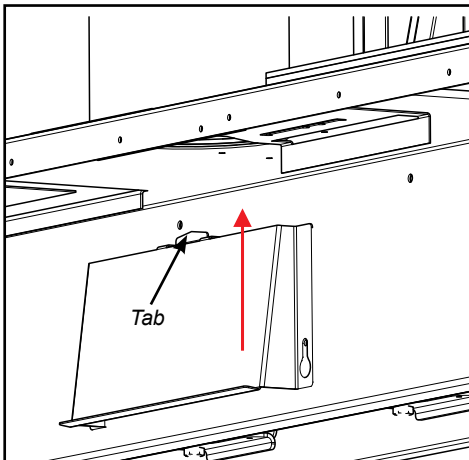
Light are located behind the front face of the unit

3. Loosen 2 outer screws on each side to remove outer light cover — located in the upper inside front of the firebox.



Outer light covers shown from back of unit (back made transparent)

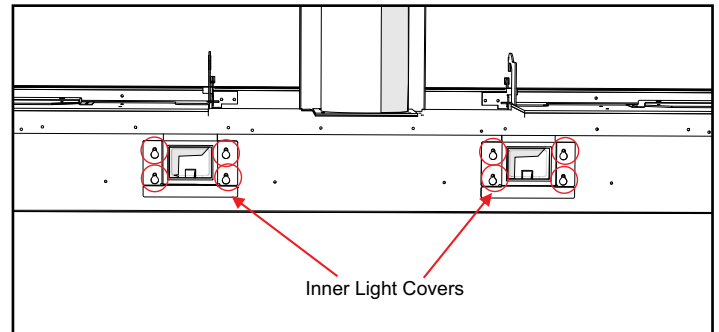
4. Lift outer light covers up of tabs to remove.



5. Loosen 2 screws on each side of individual inner light cover and remove.
6. Remove glass cover by using a flat head screwdriver to pry the tab securing the glass assembly in place.
7. Replace bulb and reverse steps to complete procedure.

NOTE: Do not handle bulb with bare hands. Use packaging or a tissue to hold new bulb when replacing.

Regency Part# 911-208 Oven Lamp Assembly G9 120V/25W
Regency Part# 911-072_Replacement Bulb G9 120 Volt/25 watt



Inner light covers shown from back of unit (back made transparent)

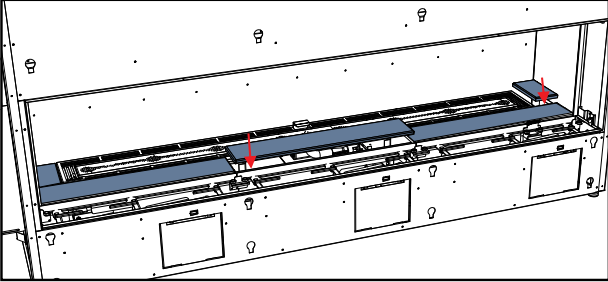
CV72E Painted panel installation

Inner Panels-CV72E

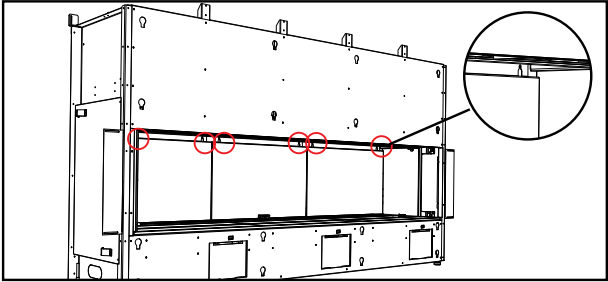
The CV72E may be equipped with optional steel inner panels. CV72E - 5 outer panels and 10 inner panels.

Turn off gas and power to unit and allow to cool to room temperature. Remove the safety glass and firebox glass — see manual for instructions

1. Install 5 inner base panels as shown.

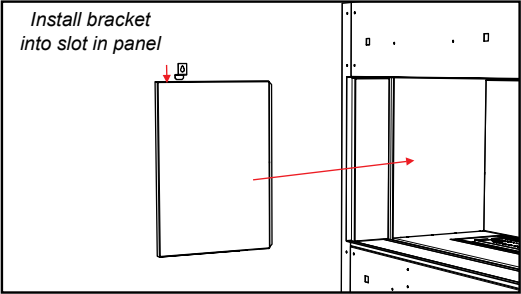


2. On back of firebox wall--install 6 screws (loosely) in locations shown below. Install 3 back panels--hang panels on installed screws through keyhole opening.

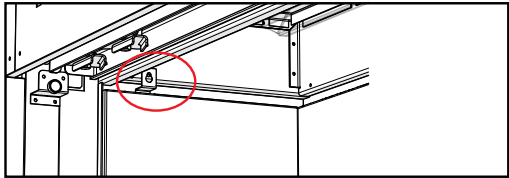


3. Install panel bracket into the slot in the panel.

4. Slide the panel and bracket into the unit until it contacts the back panel.



5. Secure panel in position with one screw.

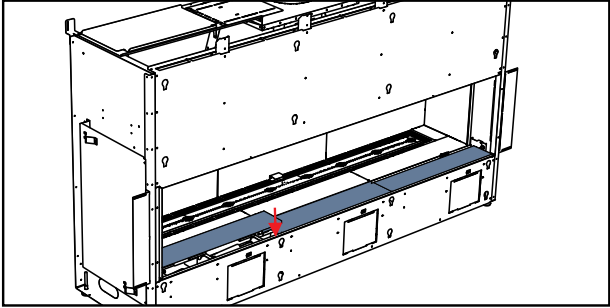


6. Repeat steps 2-4 to install opposite panel.

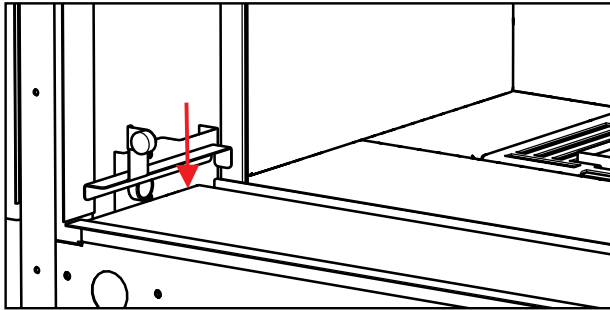
7. Reverse steps to remove panels.

Outer Panels-CV72E

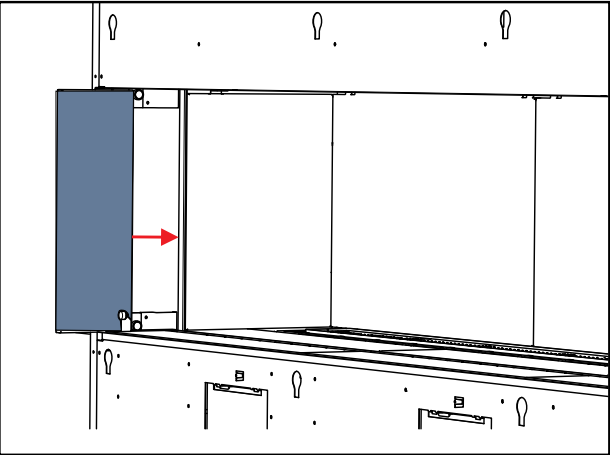
1. Install 3 front outer panels as shown below.



2. Slide the glass barrier stopper bracket in between the front panel and the unit wall as shown.



3. Install side outer panels by manoeuvring the panel between the wall and the barrier stopper bracket as shown below. The panels are held in place by magnets.



installation

CV72E enamel panel installation

Black Enamel Panels — Handling Instructions

- Black Enamel panels must be inspected for scratches and dimples prior to installation. All claims to be recorded at this time. Claims for damage after installation will not receive consideration.

- Black Enamel panels will discolor a little during normal operation. This is normal and should not be considered a defect.

- ★ All hand and finger marks **MUST** be cleaned off with a soft cloth. Use an ammonia based cleaner (ie. glass cleaner) to remove any fingerprints before applying heat to the unit.

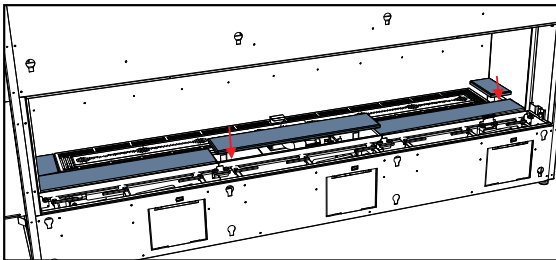
Failure to do this will result in burn stain on panels which you will be unable to remove.

*Not protected by product warranty.

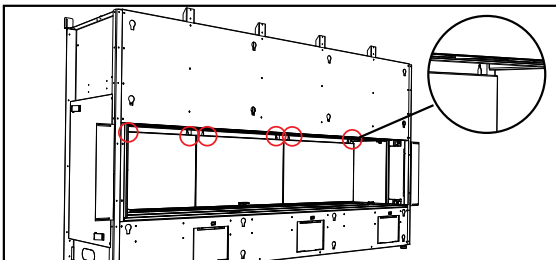
The CV72E may be equipped with optional enamel inner panels.
CV72E - 5 outer panels and 10 inner panels.

Turn off power and gas to unit and allow to cool to room temperature. Remove the safety glass and firebox glass — see manual for instructions

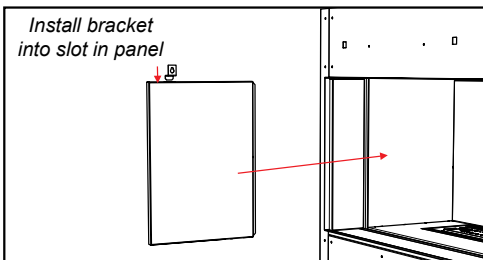
1. Install 5 inner base panels as shown.



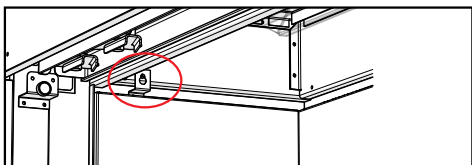
2. On back of firebox wall--install 6 screws (loosely) in locations shown below. Install 3 back panels--hang panels on installed screws through keyhole opening.



3. Install panel bracket into the slot in the panel.

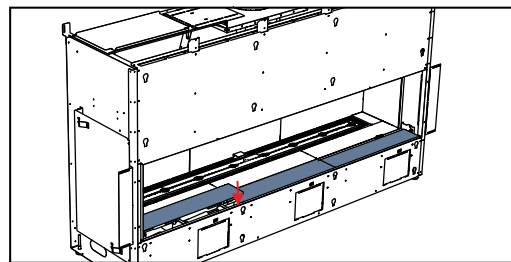


5. Secure panel in position with one screw.

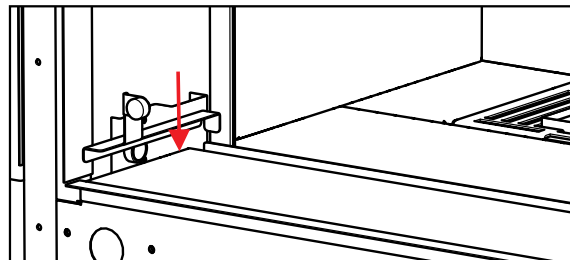


6. Repeat steps 2-4 to install opposite panel.

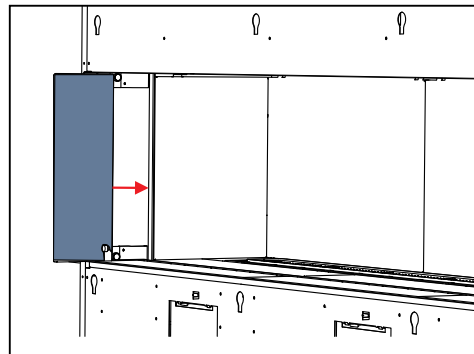
7. Install 3 front outer panels as shown below.



8. Slide the glass barrier stopper bracket in between the front panel and the unit wall as shown.

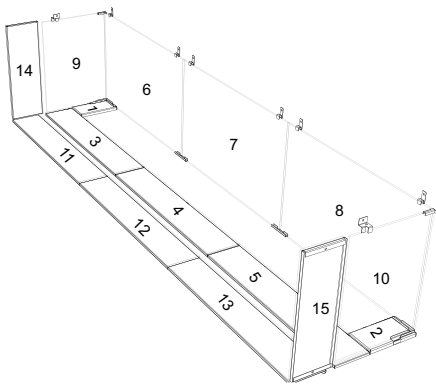


9. Install side outer panels by manoeuvring the bracket between the wall and the barrier stopper bracket as shown below. The panels are held in place by magnets.

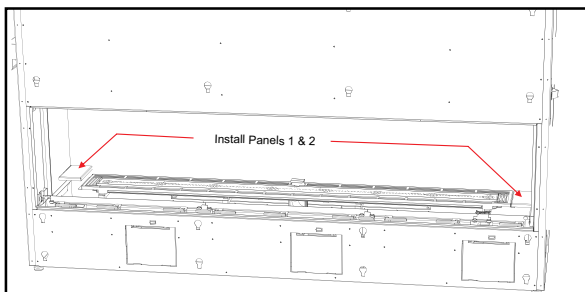


CV72E glass panel installation

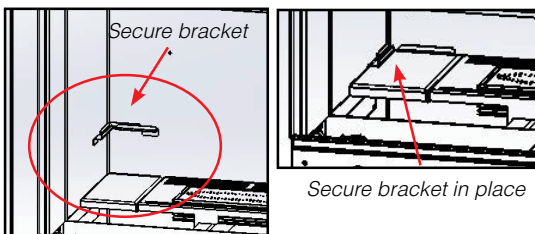
1. Turn off power and gas to unit and allow to cool to room temperature. Remove the safety glass and firebox glass — see manual for instructions. **Note:** The screws to secure all of the clips in these instructions will be already be on the appliance. Simply remove and reinstall to secure all of the clips.
2. Identify panels and order of installation.



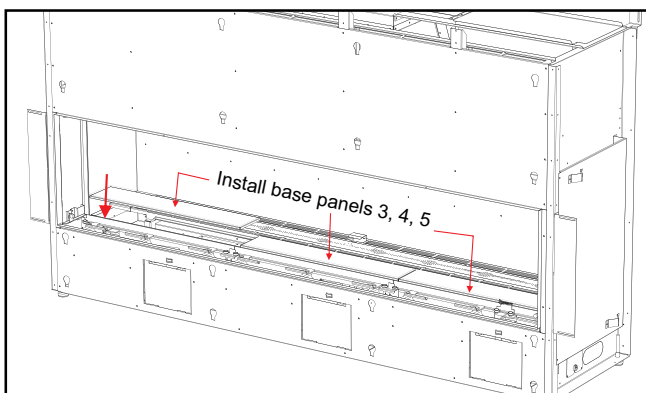
3. Install back corner panels (1, 2) - seat smallest panel in back left corner, repeat on other side.



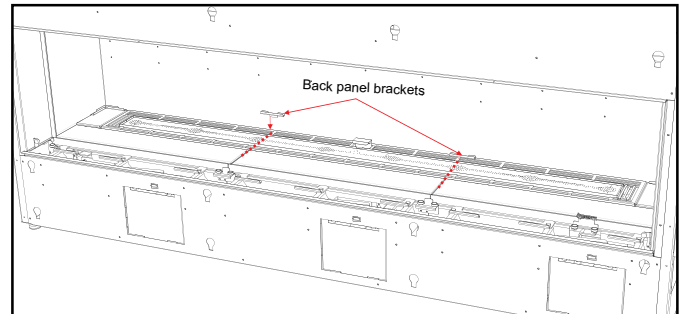
4. Install bottom corner securing bracket as shown. Repeat step for other side.



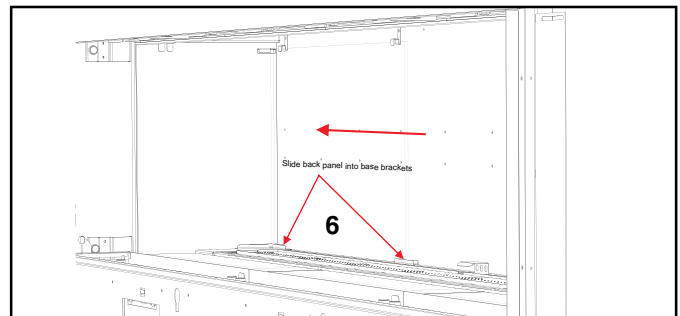
5. Install the 3 front panels (3, 4, 5) into the front firebox panel.



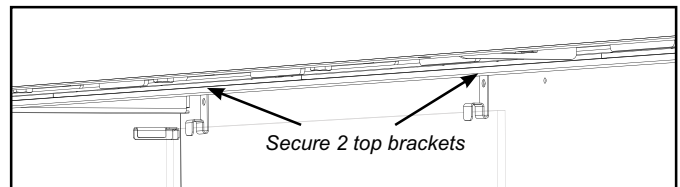
6. Install two back panel brackets in between the back wall and the burner tray. Line up the center of each bracket with the base panels installed in the previous step as shown below.



7. Carefully manoeuvre the back glass panels (6,7,8) to the back wall of the firebox. Start with back panel 6 -- place two panel brackets on each panel and manoeuvre into position, sliding the bottom into the corner and back brackets.

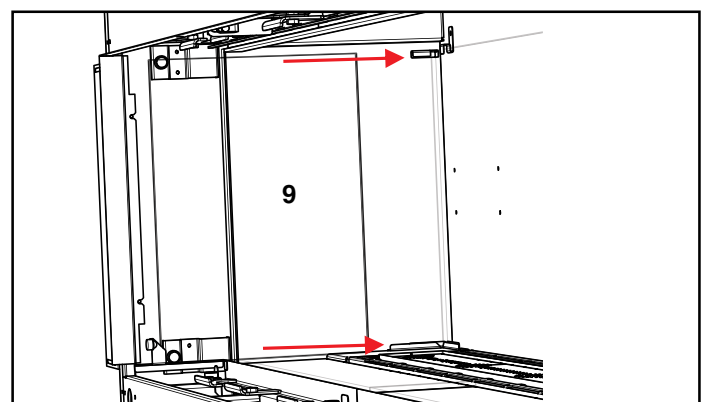


8. Secure the top of the panel brackets with 2 screws into 2 brackets (each panel has 2 brackets).



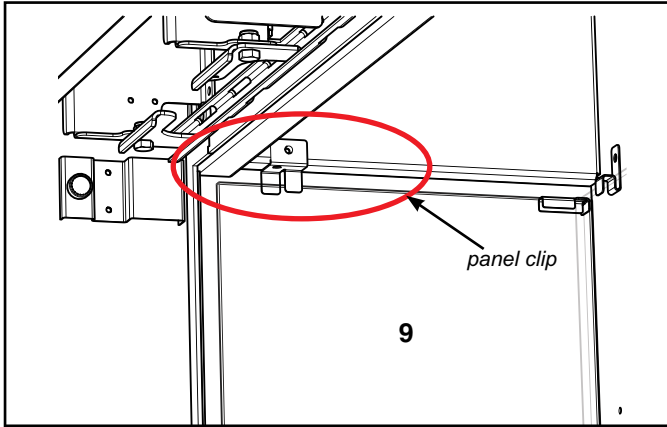
9. Repeat Steps 7 & 8 to install back panels 7 + 8.

10. Install side panel 9 -- manoeuvre into top and bottom brackets.

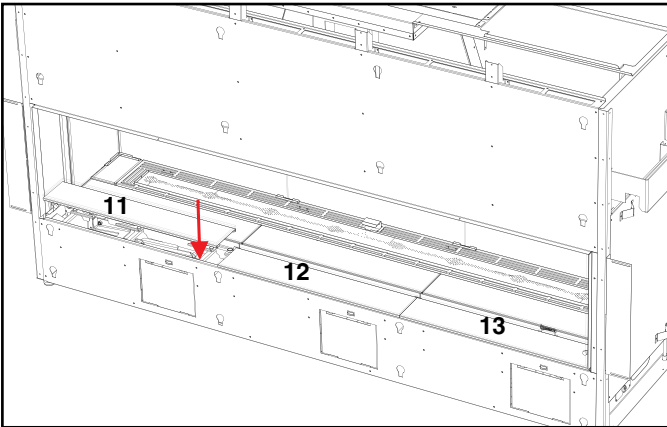


installation

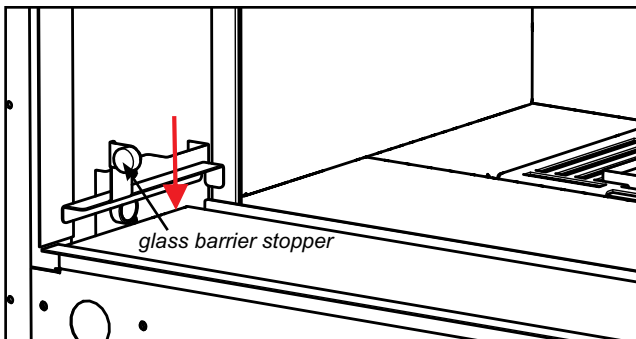
- 11. Secure side panel **9** with one screw on the top bracket as shown.
- 12. Repeat Step 10 and 11 on the other side to install panel **10**.
- 13. Reinstall firebox glass panel -- see instructions in unit manual.



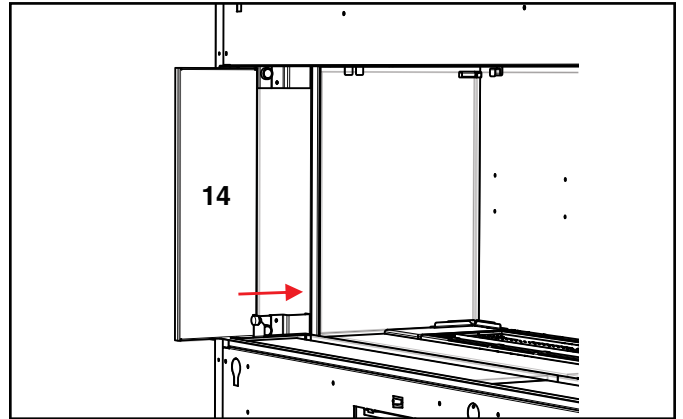
- 14. Install base panels **11**, **12** and **13** in the front of the unit.



- 15. Slide the glass barrier stopper bracket in between the front panel and the unit wall as shown.



- 16. Install side outer panel (**14**) by manoeuvring the panel between the wall and the barrier stopper bracket as shown below. Repeat on other side to install panel **15**. The panels are held in place by magnets.



- 17. Install barrier glass -- see unit manual for instructions.

Burner and Firebox media options

Spread the media evenly over the burner. Ensure the glass/stones do not overlap excessively as this will affect the flame pattern.

IMPORTANT NOTE:

Only the supplied approved media are to be used with these fireplaces. Use of any other type of glass or stones can alter the unit's performance. Any damage caused by the use of any unapproved glass or stones will not be covered under warranty.

When using Ceramic Spa/Volcanic Stones ensure required glass crystals/beads are used as a base. **DO NOT** overstack Ceramic Spa Stones or Volcanic Stones on burner or in the pilot area. Media must be installed on and around burner only in amounts noted below.

NOTE: Regardless of option chosen, fireglass must be installed on burner in all cases.

CV72E Approved Media*	Where Used	Quantity
Fireglass (starfire, copper or black)	On burner	2lbs
Glowing embers/sea wool (supplied with unit)	On burner	1 bag
3/4" Black Coal	Around burner	2 boxes (7lbs)
Crushed Iceberg chips	Around burner	2 boxes (7lbs)
Firebeads	Around burner	7lbs
Stone River Pebbles	Around burner	1 box
Spa stones	Around burner	3 boxes
Lava Embers	Around burner	6 packages

* Media **not supplied** with unit - must be purchased separately.



3/4" Black Coal + Black Fireglass



Natural / Ivory Stones + Fireglass



Black Fireglass + Embers



Spa Stones + Fireglass



Fireglass + Firebeads



Stone River Pebbles + Fireglass

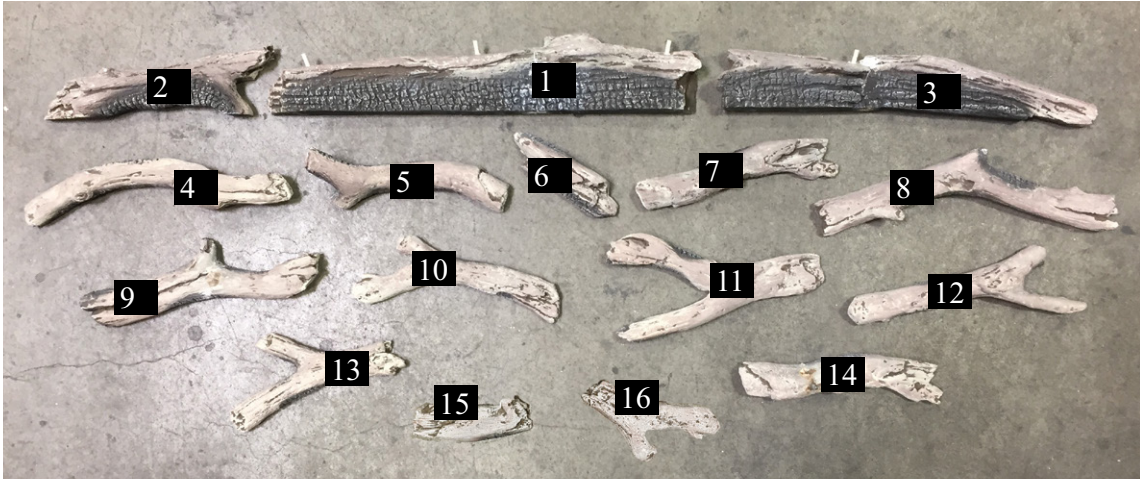
installation

Optional driftwood Log set Installation

Read the instructions below carefully and refer to the images. If the logs are broken do not use the unit until they are replaced. Broken logs can interfere with pilot operation.

Improper positioning of the logs may create carbon build-up and can alter the unit's performance which is not covered under warranty.

*Dark brown paint is included if touch ups are required.



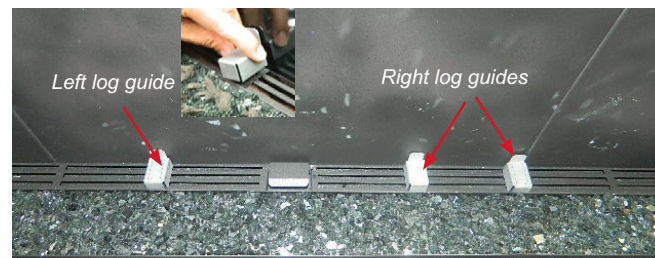
1	Rear Center Log
2	Rear Left Log
3	Rear Right Log
4	Left Front Log
5	Front Log (left of center)
6	Front Centre Log Piece
7	Front Right Log (right of center)
8	Front Right Log
9	Left cross log (2nd left from center)
10	Left cross log (left of center)
11	Right cross log (right of center)
12	Right cross log (2nd right from center)
13	Left cross log (far left log)
14	Right cross log (far right log)
15	Left end log
16	Right end log
	Log Brackets (3)
	Lava rock (purchased separately from log set)
	2 lb Black Fireglass (purchased separately from log set)
	Glowing wool (supplied with unit)
	3/4" Crushed black glass or iceberg chips (purchased separately from log set)

1. Shut off gas and electrical supply, allow unit to cool to room temperature.
2. Remove barrier glass (if already installed) and firebox glass (see manual).
3. Carefully remove the logs from the packaging and unwrap them. The logs are fragile, handle with care—never force into position.
4. Install Black Fireglass (2lb) and glowing wool on the burner as shown below.



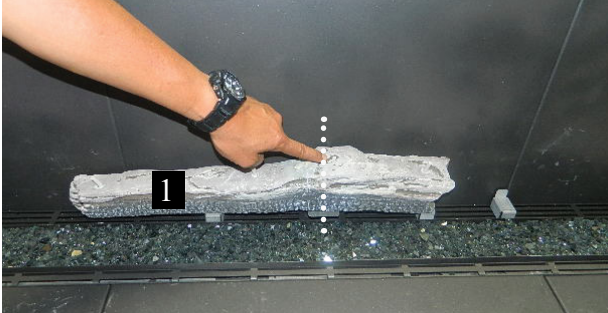
Burner covered with Fireglass and glowing wool

5. Clip on the log guides - position the rear guides by centering over the two vertical lines on either side of the pilot hood at the back of the burner. Install a second log guide on the 2nd vertical line right of the pilot hood.



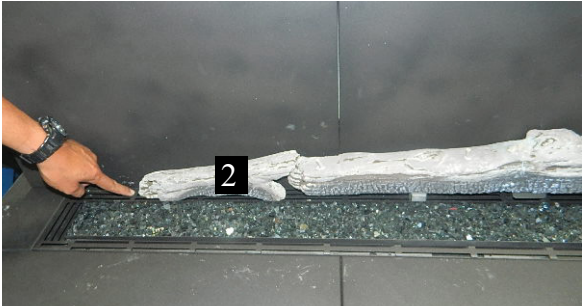
Log guides installed

6. Place Log 1 behind the burner. Log 1 will rest on the pilot hood and 2 center log guides. Line up the knot on the top of the log with the center of the pilot hood when seating.



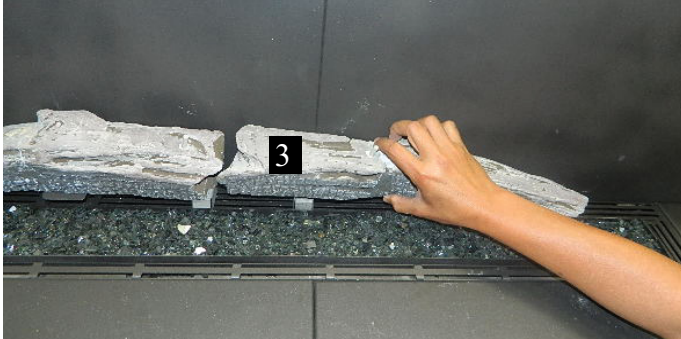
Line up knot to center of pilot hood

7. Install Log 2 to the left of Log 1. Line up the left end of Log 2 with the last vertical line on the back of the burner as shown below.



Log 2

8. Install Log 3 to the right of Log 1, rest the left side on the log guide and the right side on the glass crystals as shown.



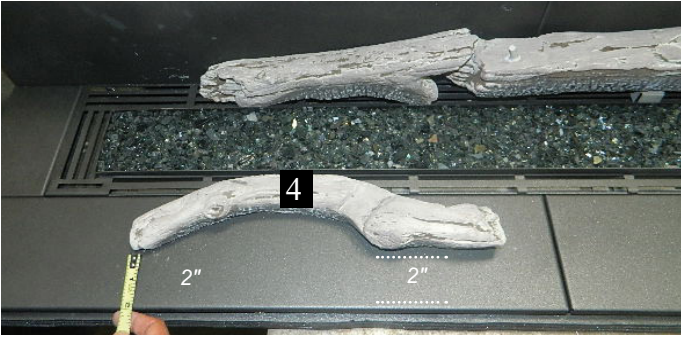
Log 3

9. Install Log 4 in front of the burner on the panel. Position the left end of Log 4 2-1/2" to the right of the left end of the burner as shown below.



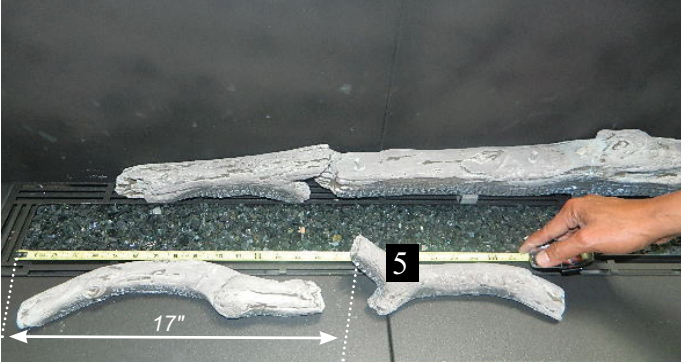
Log 4 to edge of burner

10. The left end of Log 4 should also sit 2" from the edge of the panel as shown below.



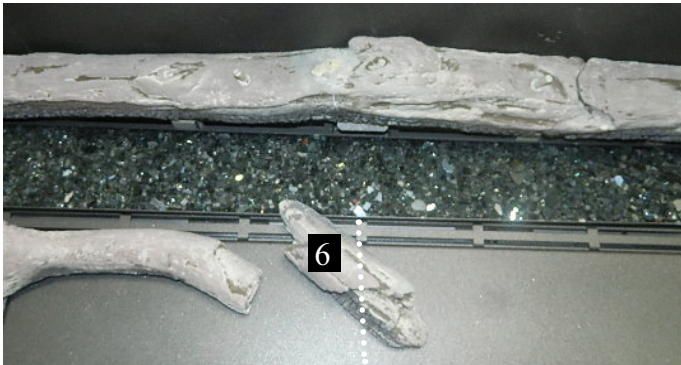
2" to edge of panel

11. Place Log 5 on the center panel in front of the burner. Position the left end of the log 17" from the left edge of the burner as shown below.



17" from edge of burner

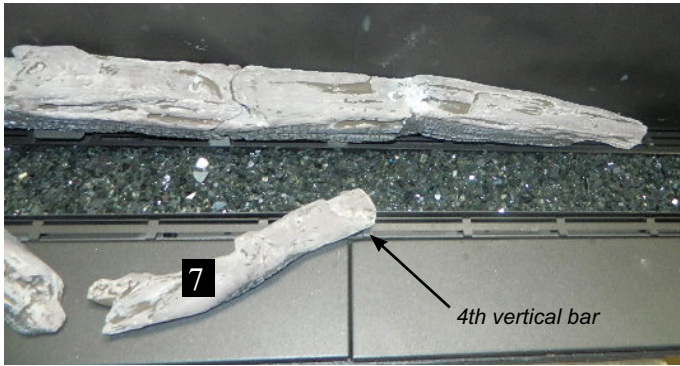
12. Place Log 6 on the diagonal--line up the centre of Log 6 with the center vertical line at the front of the burner.



Line up with center vertical line + center of pilot hood

installation

13. Install Log 7 on the diagonal--line up the left end of Log 7 with the 4th vertical line from the right on the front of the burner as shown below.



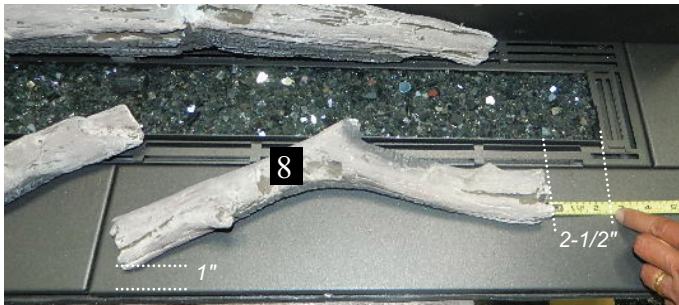
Log 7 end lined up with 4th vertical bar

Note: Log 7 and Log 14 appear very similar. Log 7 has a landing for Log 11--Log 14 does not. Please carefully identify Log 7 before installing.



Landing for Log 11

14. Install Log 8--the knot on the log should rest on the 2nd vertical line from the right at the front of the burner and the left end of the log should sit 1" from the edge of the panel.
The right end of Log 8 should be 2-1/2" from the right edge of the burner.

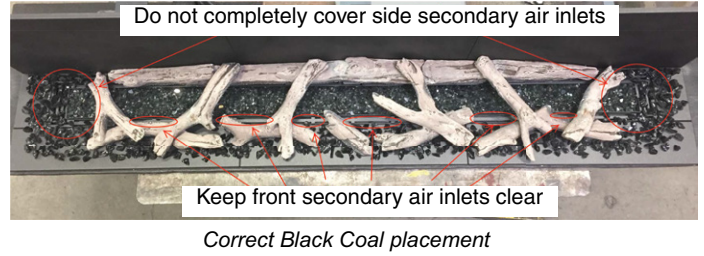


Log 8

15. Install one box (3.5lbs) of 3/4" black coal around the logs installed on the panels as shown below.



Black Coal around logs on panels

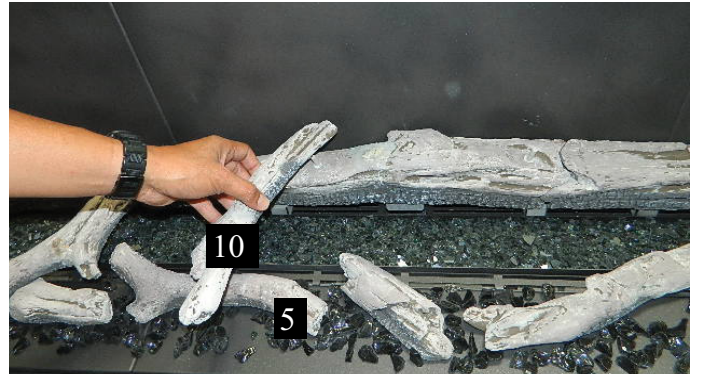


16. Install Log 9--line up the pin locator on Log 9 with the pin on Log 1 and rest the other end of Log 9 on the rest on Log 4 as shown below.



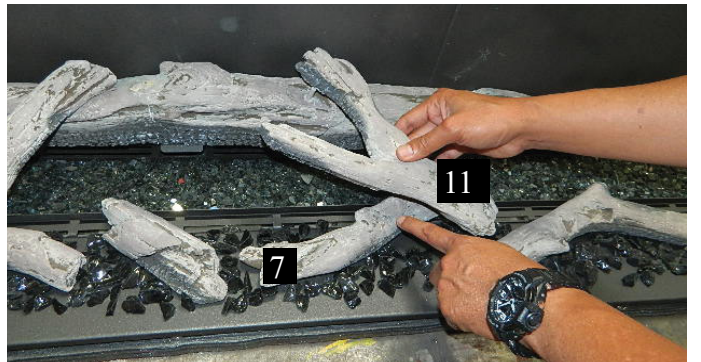
Log 9

17. Install Log 10--line up the pin locator on Log 10 with the pin on Log 1 and rest the other end of Log 10 on the rest on Log 5 as shown below.



Log 10

18. Install Log 11--line up the pin locator on Log 11 with the pin on Log 1 and rest the other end of Log 11 on the rest on Log 7 as shown below.



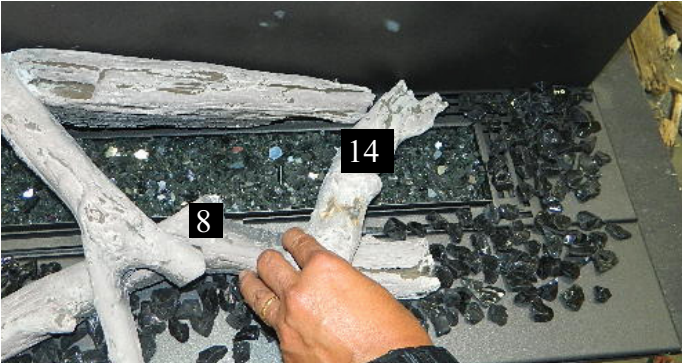
Log 11

19. Install Log 12--line up the pin locator on Log 12 with the pin on Log 3 and rest the other end of Log 12 on the rest on Log 8 as shown below.



Log 12

21. Install Log 14--place one end of Log 14 on the rest on Log 8 and the opposite end on the back edge of the burner as shown below.



Log 14

20. Install Log 13--rest the longer part of the 'Y' of Log 13 on the rest in Log 4. Rest the opposite end of Log 13 on the back edge of the burner as shown.

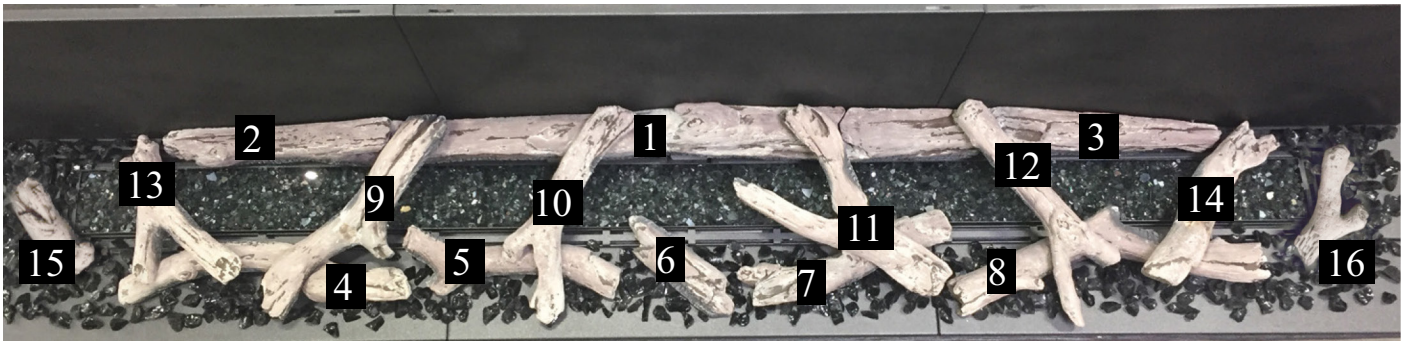


Log 13

22. Install Logs 15 and 16--place each log on the glass at each end of the burner as shown below.



Logs 15 + 16



Final Install

installation

Optional birch wood Log set Installation

Read the instructions below carefully and refer to the images. If the logs are broken do not use the unit until they are replaced. Broken logs can interfere with pilot operation.

Improper positioning of the logs may create carbon build-up and can alter the unit's performance which is not covered under warranty.

*Paint is included if touch ups are required.



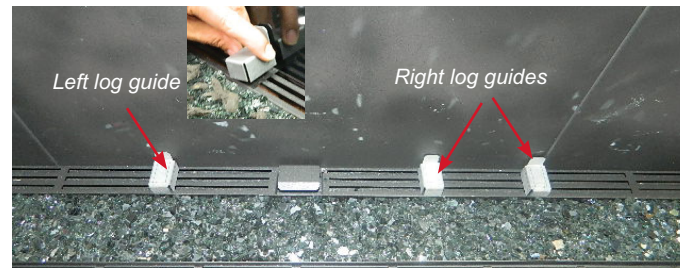
1	Rear Center Log
2	Rear Left Log
3	Rear Right Log
4	Left Front Log
5	Front Log (left of center)
6	Front Centre Log Piece
7	Front Right Log (right of center)
8	Front Right Log
9	Left cross log (2nd left from center)
10	Left cross log (left of center)
11	Right cross log (right of center)
12	Right cross log (2nd right from center)
13	Left cross log (far left log)
14	Right cross log (far right log)
15	Left end log
16	Right end log
	Log Brackets (3)
	Lava rock (purchased separately from log set)
	2 lb Black Fireglass (purchased separately from log set)
	Glowing wool (supplied with unit)
	3/4" Crushed black glass or iceberg chips (purchased separately from log set)

1. Shut off gas and electrical supply, allow unit to cool to room temperature.
2. Remove barrier glass (if already installed) and firebox glass (see manual).
3. Carefully remove the logs from the packaging and unwrap them. The logs are fragile, handle with care—never force into position.
4. Install Black Fireglass (2lb) and glowing wool on the burner as shown below.



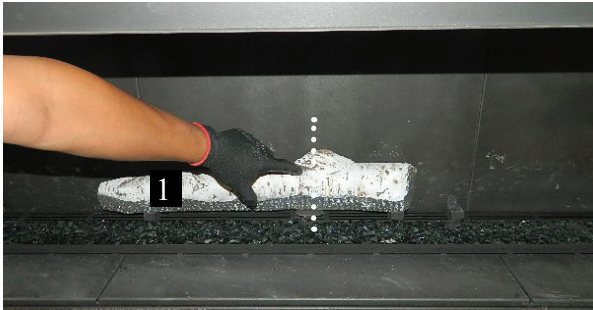
Burner covered with Fireglass and glowing wool

5. Clip on the log guides - position the rear guides by centering over the two vertical lines on either side of the pilot hood at the back of the burner. Install a second log guide on the 2nd vertical line right of the pilot hood.



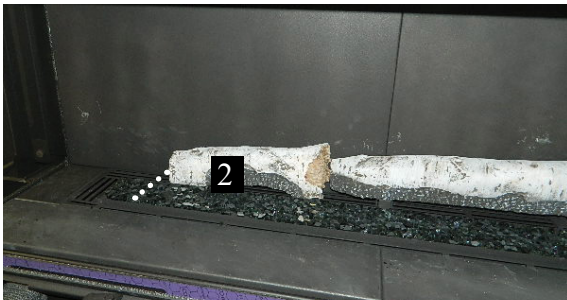
Log guides installed

6. Place Log 1 behind the burner. Log 1 will rest on the pilot hood and 2 center log guides. Line up the knot on the top of the log with the center of the pilot hood when seating.



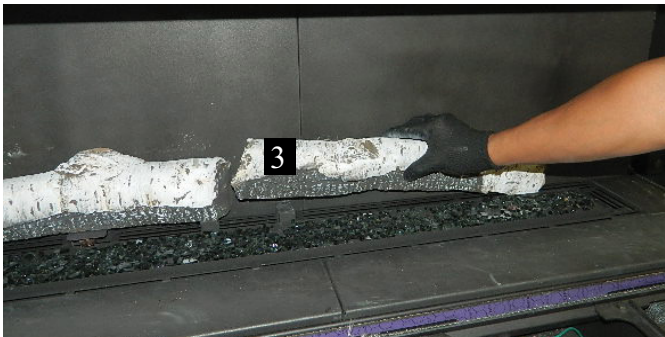
Line up knot to center of pilot hood

7. Install Log 2 to the left of Log 1. Line up the left end of Log 2 with the last vertical line on the back of the burner as shown below.



Log 2

8. Install Log 3 to the right of Log 1, rest the left side on the log guide and the right side on the glass crystals as shown.



Log 3

9. Install Log 4 in front of the burner on the panel. Position the left end of Log 4 2-1/2" to the right of the left end of the burner as shown below.



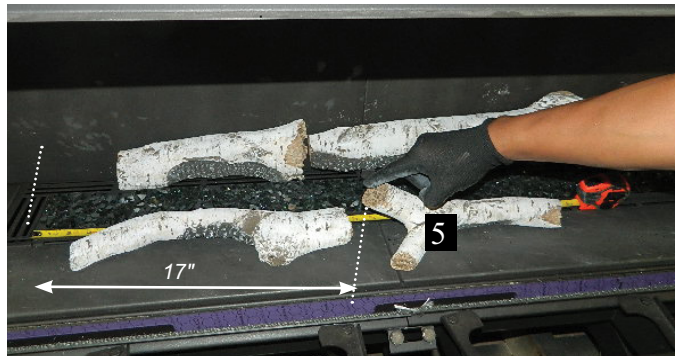
Log 4 to edge of burner

10. The left end of Log 4 should also sit 2" from the edge of the front panel.



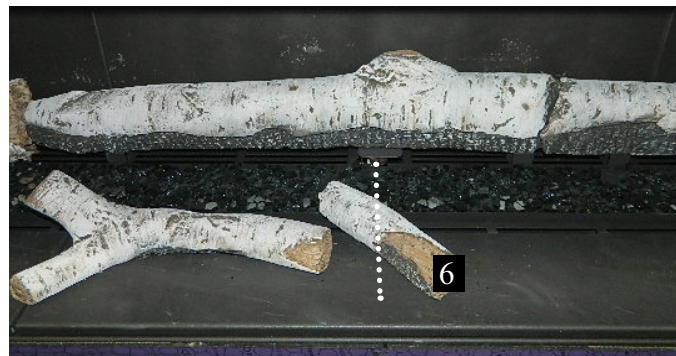
Log 4 —2" to end of front panel

11. Place Log 5 on the center panel in front of the burner. Position the left end of the log 17" from the left edge of the burner as shown below.



17" from edge of burner

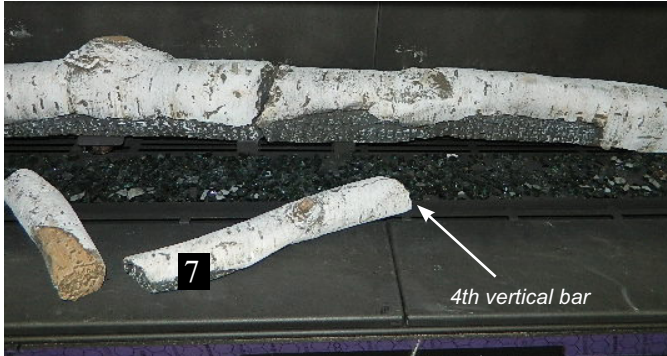
12. Place Log 6 on the diagonal--line up the centre of Log 6 with the center vertical line at the front of the burner.



Line up with center vertical line + center of pilot hood

installation

13. Install Log 7 on the diagonal--line up the left end of Log 7 with the 4th vertical line from the right on the front of the burner as shown below.



Log 7 end lined up with 4th vertical bar

14. Install Log 8--the knot on the log should rest on the 2nd vertical line from the right at the front of the burner and the left end of the log should sit 1" from the edge of the panel. The right end of Log 8 should be 2-1/2" from the right edge of the burner.

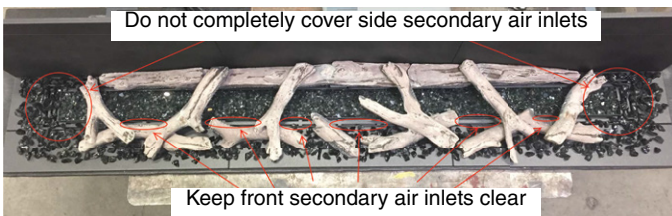


Log 8 placement

15. Install one box (3.5lbs) of 3/4" black coal around the logs installed on the panels as shown below.



Black Coal around logs on panels



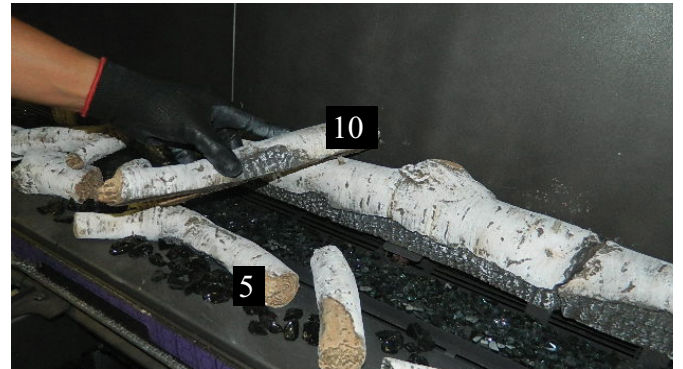
Correct Black Coal placement - Driftwood logs shown

16. Install Log 9--line up the pin locator on Log 9 with the pin on Log 1 and rest the other end of Log 9 on the rest on Log 4 as shown below.



Log 9

17. Install Log 10--line up the pin locator on Log 10 with the pin on Log 1 and rest the other end of Log 10 on the rest on Log 5 as shown below.



Log 10

18. Install Log 11--line up the pin locator on Log 11 with the pin on Log 1 and rest the other end of Log 11 on the rest on Log 7 as shown below.



Log 11

19. Install Log 12--line up the pin locator on Log 12 with the pin on Log 3 and rest the other end of Log 12 on the rest on Log 8 as shown below.



Log 12

21. Install Log 14--place one end of Log 14 on the rest on Log 8 and the opposite end on the back edge of the burner as shown below.



Log 14

20. Install Log 13--rest the longer part of the 'Y' of Log 13 on the rest in Log 4. Rest the opposite end of Log 13 on the back edge of the burner as shown.

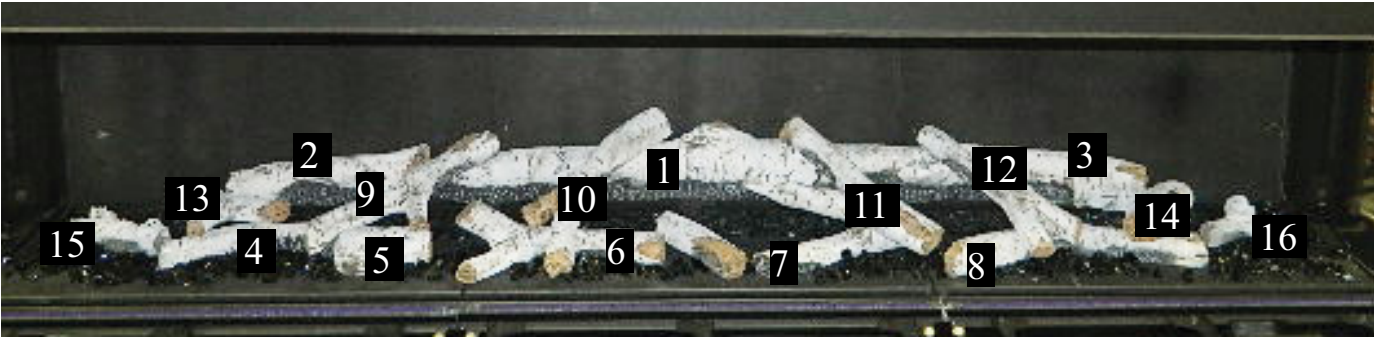


Log 13

22. Install Logs 15 and 16--place each log on the glass at each end of the burner as shown below.



Logs 15 + 16



Final Install

installation

Optional Splitwood Log Set Installation

Read the instructions below carefully and refer to the images. If the logs are broken do not use the unit until they are replaced. Broken logs can interfere with pilot operation.

Improper positioning of the logs may create carbon build-up and can alter the unit's performance which is not covered under warranty.

*Dark brown paint is included if touch ups are required.



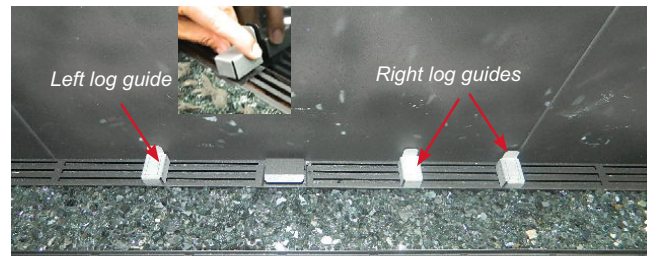
1	Rear Center Log
2	Rear Left Log
3	Rear Right Log
4	Left Front Log
5	Front Log (left of center)
6	Front Centre Log Piece
7	Front Right Log (right of center)
8	Front Right Log
9	Left cross log (2nd left from center)
10	Left cross log (left of center)
11	Right cross log (right of center)
12	Right cross log (2nd right from center)
13	Left cross log (far left log)
14	Right cross log (far right log)
15	Left end log
16	Right end log
	Log Brackets (3)
	Lava rock (purchased separately from log set)
	2 lb Black Fireglass (purchased separately from log set)
	Glowing wool (supplied with unit)
	3/4" Crushed black glass or iceberg chips (purchased separately from log set)

1. Shut off gas and electrical supply, allow unit to cool to room temperature.
2. Remove barrier glass (if already installed) and firebox glass (see manual).
3. Carefully remove the logs from the packaging and unwrap them. The logs are fragile, handle with care—never force into position.
4. Install Black Fireglass (2lb) and glowing wool on the burner as shown below.



Burner covered with Fireglass and glowing wool

5. Clip on the log guides - position the rear guides by centering over the two vertical lines on either side of the pilot hood at the back of the burner. Install a second log guide on the 2nd vertical line right of the pilot hood.



Log guides installed

6. Place Log 1 behind the burner. Log 1 will rest on the pilot hood and 2 center log guides. Line up the log with the center of the pilot hood when seating.



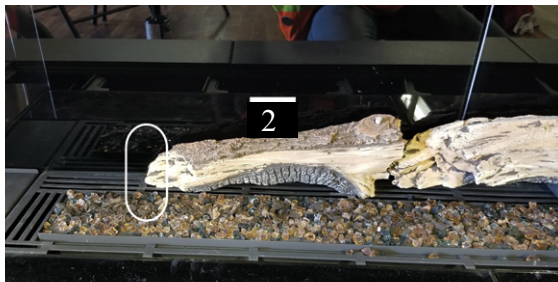
Line up to center of pilot hood

10. The left end of Log 4 should also sit 2" from the edge of the panel as shown below.



2" to edge of panel

7. Install Log 2 to the left of Log 1. Line up the left end of Log 2 with the last vertical line on the back of the burner as shown below.



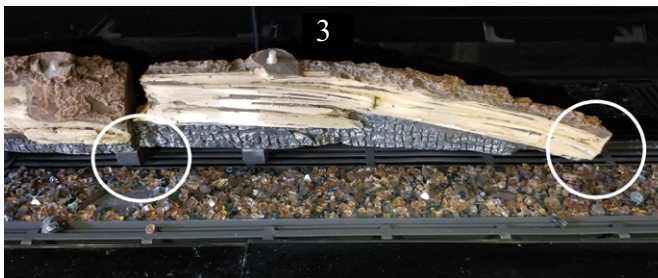
Log 2

11. Place Log 5 on the center panel in front of the burner. Position the left end of the log 17" from the left edge of the burner as shown below.



17" from edge of burner

8. Install Log 3 to the right of Log 1, rest the left side on the log guide and the right side on the glass crystals as shown.



Log 3

12. Place Log 6 on the diagonal—line up the centre of Log 6 with the center vertical line at the front of the burner.



Line up with center vertical line + center of pilot hood

9. Install Log 4 in front of the burner on the panel. Position the left end of Log 4 2-1/2" to the right of the left end of the burner as shown below.



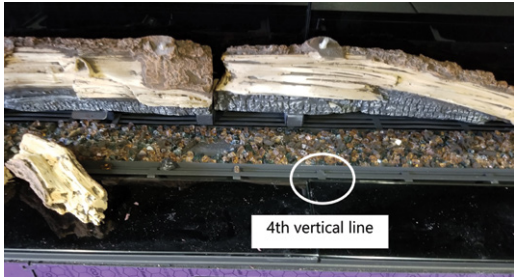
Log 4 to edge of burner

13. Install Log 7 on the diagonal—line up the left end of Log 7 with the 4th vertical line from the right on the front of the burner as shown below.



Log 7 end lined up with 4th vertical bar

installation



14. Install Log 8 - the left end of the log should sit 1" from the edge of the panel. The right end of Log 8 should be 2-1/2" from the right edge of the burner.

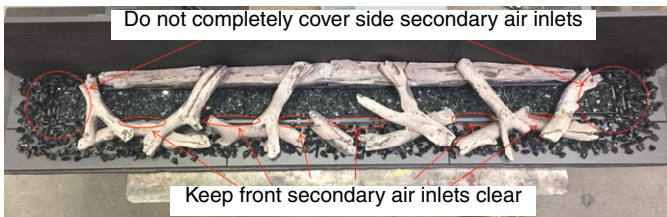


Log 8

15. Install one box (3.5lbs) of 3/4" black coal around the logs installed on the panels as shown below.



Black Coal around logs on panels



Correct Black Coal placement

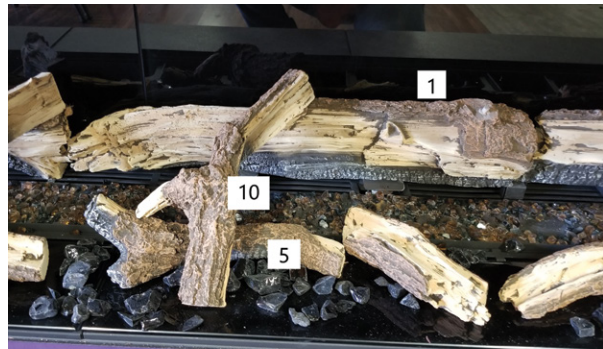
16. Install Log 9--line up the pin locator on Log 9 with the pin on Log 1 and rest the other end of Log 9 on the rest on Log 4 as shown below.



Log 9

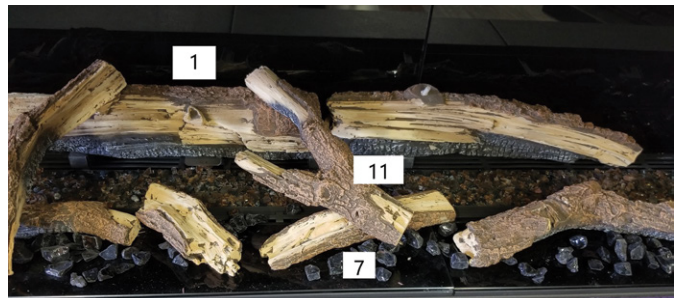


17. Install Log 10—line up the pin locator on Log 10 with the pin on Log 1 and rest the other end of Log 10 on the rest on Log 5 as shown below.



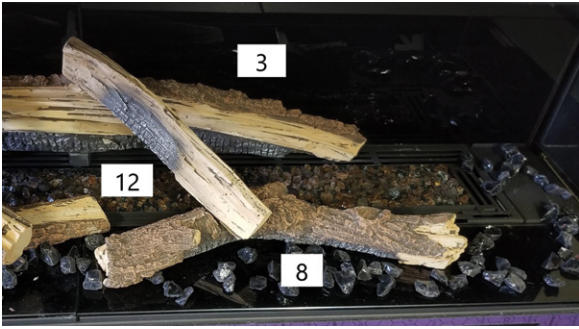
Log 10

18. Install Log 11--line up the pin locator on Log 11 with the pin on Log 1 and rest the other end of Log 11 on the rest on Log 7 as shown below.



Log 11

19. Install Log 12--line up the pin locator on Log 12 with the pin on Log 3 and rest the other end of Log 12 on the rest on Log 8 as shown below.



Log 12

21. Install Log 14--place one end of Log 14 on the rest on Log 8 and the opposite end on the back edge of the burner as shown below.



Log 14

20. Install Log 13--rest the longer part of the 'Y' of Log 13 on the rest in Log 4. Rest the opposite end of Log 13 on the back edge of the burner as shown.



Log 13

22. Install Logs 15 and 16--place each log on the glass at each end of the burner as shown below.



Logs 15 + 16



Final Install

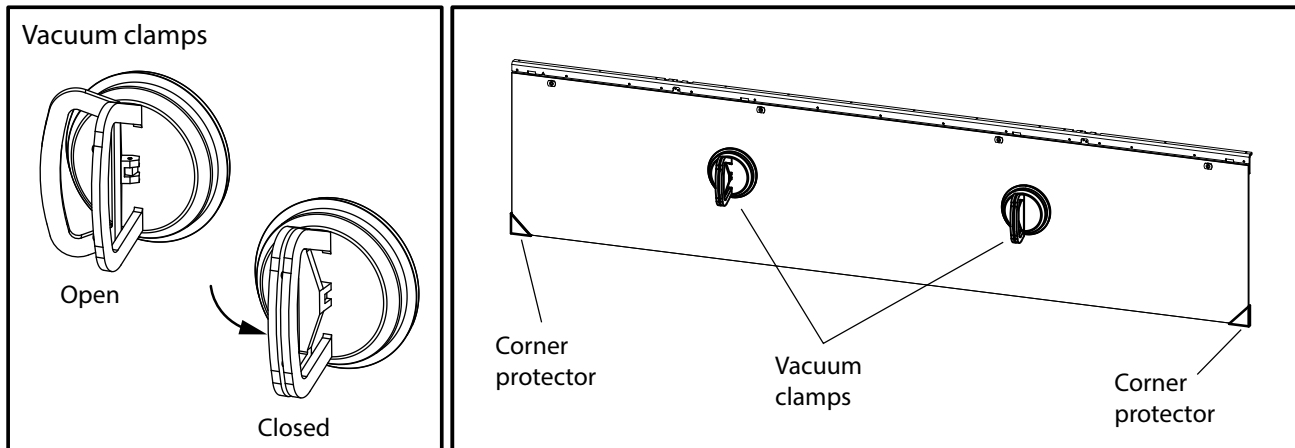
installation

Glass Barrier installation

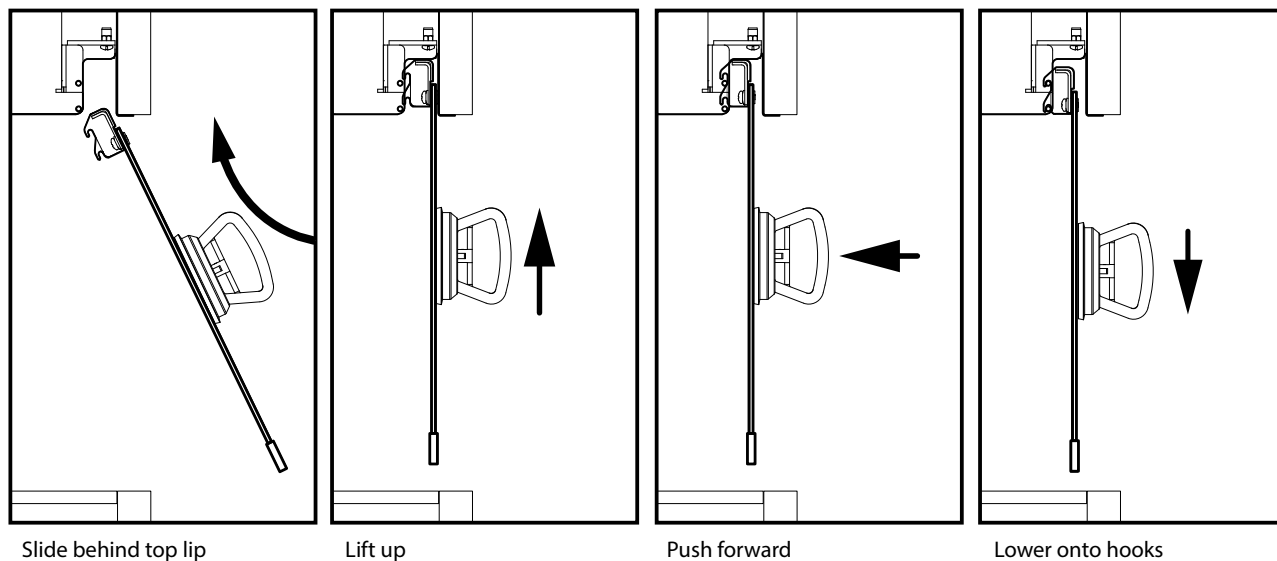
[Glass barrier removal video](#)



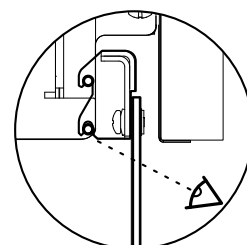
1. Ensure fireplace is operating properly and all firebox glass, and liner panels are installed prior to installing the glass safety barrier.
2. Remove the protective peel from the glass safety barrier and clean the inner surface. Identify the hooks on the glass safety barrier, these indicate the inner surface.
3. Attach the vacuum clamps to the glass as shown on the outer surface. Press the vacuum clamps against the glass, then close the clamps while maintaining pressure on the glass.
4. Slide the corner protectors onto the bottom corners of the glass.



5. Holding the glass barrier in front of the unit, slide it up behind the top lip of the unit. Lift the barrier up as far as it goes, then hook the barrier onto the unit.

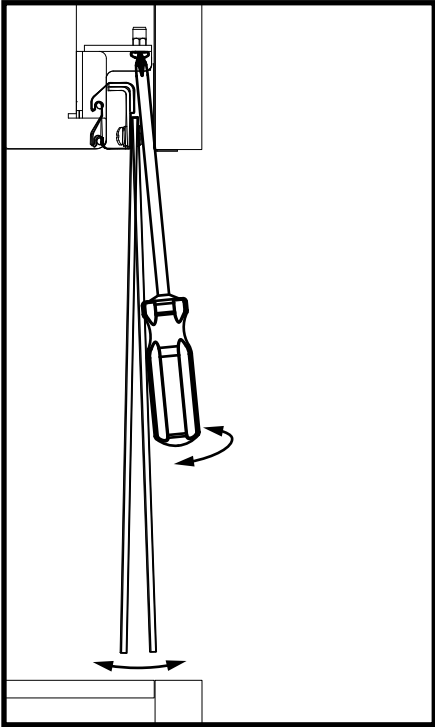
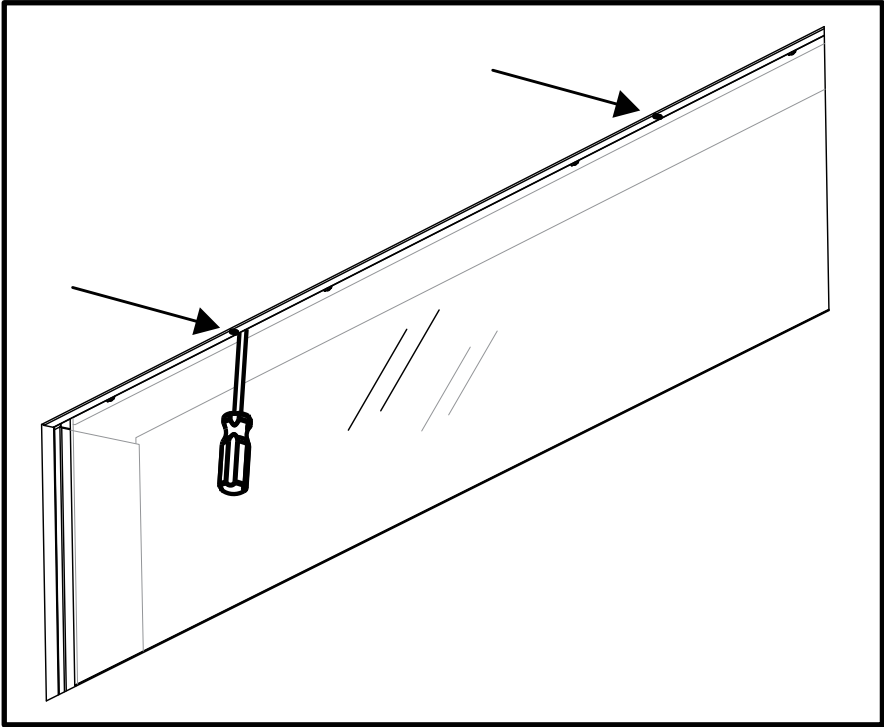


6. Visually inspect that the lower hooks are sitting over their pins and that the glass is sitting level and centered in the opening.
7. Remove vacuum clamps and corner protectors.
8. To remove glass, see owner's manual.



Glass Barrier Adjustment

If glass isn't hanging straight, use a phillips screwdriver to adjust the angle.
Clockwise = angles barrier out toward you
Counter clockwise = angles barrier in towards the unit.



Slide the screwdriver straight up at the two indicator slots.

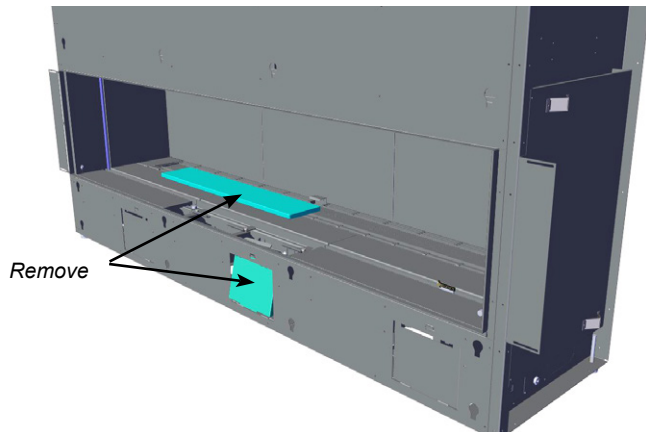
operating instructions

Aeration Adjustment

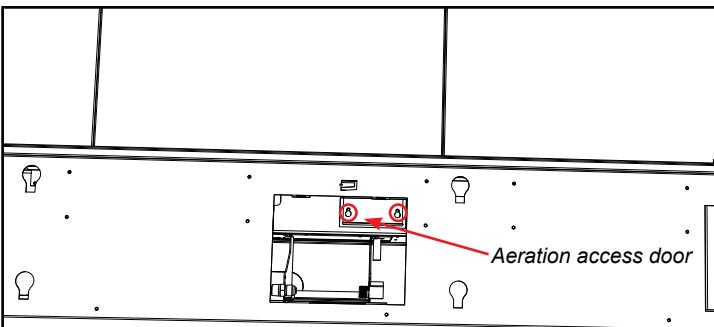
The burner aeration is factory set but may need adjusting due to either the local gas supply or altitude. Open the air shutter for a blue flame or close for a more yellow flame.

Note: If the firebox glass, logs, inner panels, etc. are already installed, the aeration can be adjusted from outside the firebox.

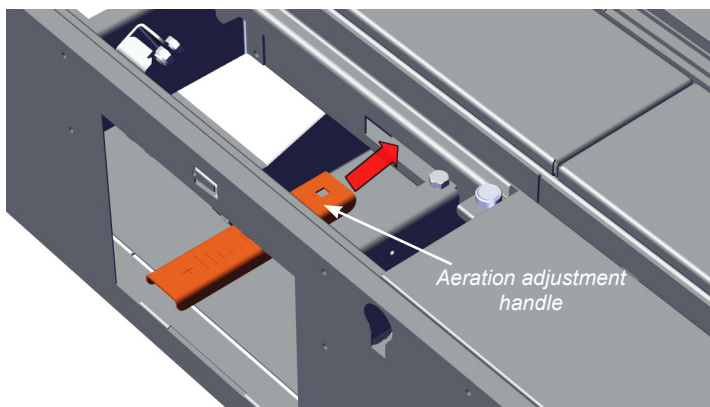
1. Remove the centre access panel on the outer trim, if finishing material is already installed, remove the glass safety barrier and center outer panel--see instructions in this manual.



2. Loosen 2 screws on the aeration lever access door. Lift the door up and out to remove.



3. Attach the handle to the aeration lever through the access opening--handle will slide into position on the lever.



NOTE: The aeration handle is located near the right hand side of the gas valve access door -- attached by a magnet.

4. Adjust aeration accordingly.
Pushing lever in -- closes the air shutter.
Pulling the lever outward -- opens the air shutter.

Minimum Air Shutter Opening:

NG	3/16"
NG with Logs	3/16"
NG with Stones	3/16"
LP	3/8"
LP with Logs	3/8"
LP with Stones	3/8"

Note: Any damage due to carboning resulting from improperly setting the aeration controls is NOT covered under warranty.

5. Remove the handle by lifting up and out--replace the access door and tighten the 2 screws. Hang the handle back onto the magnet.
6. Reverse Step 1.



[Aeration adjustment video](#)

Maintenance Instructions

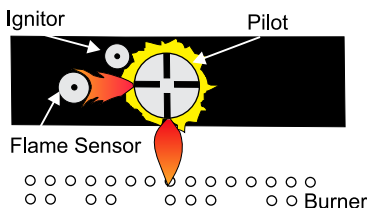
1. Always turn off the gas valve before cleaning. For relighting, refer to lighting instructions. Keep the burner and control compartment clean by brushing and vacuuming at least once a year. When cleaning the logs, use a soft clean paint brush as the logs are fragile and easily damaged.
2. Clean appliance and door with a damp cloth (never when unit is hot). Never use an abrasive cleaner. The glass should be cleaned with a gas fireplace glass cleaner. **The glass should be cleaned when it starts looking cloudy.**
3. The fireplace is finished in a heat resistant paint and should only be refinished with heat resistant paint. Regency® uses StoveBright Paint - Metallic Black #6309.
4. Make a periodic check of burner for proper position and condition. Visually check the flame of the burner periodically, making sure the flames are steady; not lifting or floating. If there is a problem, call a qualified service person.
5. The appliance and venting system must be inspected before use, and at least annually, by a qualified field service person, to ensure that the flow of combustion and ventilation air is not obstructed.

Note: Never operate the appliance without the glass properly secured in place.

6. Do not use this appliance if any part has been under water. Immediately call a qualified service technician to inspect the appliance and to replace any part of the control system and any gas control which has been under water.
7. In the event this appliance has been serviced check that the vent-air system has been properly resealed & reinstalled in accordance with the manufacturer's instructions.
8. Verify operation after servicing.

Flame Pattern

Periodically check the pilot and main burner flames. **Correct pilot flame pattern has two strong blue flames: 1 flowing around the flame sensor and 1 flowing across the burner (it does not have to be touching the burner).**



Note: If you have an incorrect flame pattern, contact your Regency® dealer for further instructions.

Incorrect flame pattern will have small, probably yellow flames, not coming into proper contact with the rear burner or flame sensor.



Correct main burner flame pattern

General Vent Maintenance

Conduct an inspection of the venting system semi-annually. Recommended areas to inspect as follows:

1. Check the Venting System for corrosion in areas that are exposed to the elements. These will appear as rust spots or streaks, and in extreme cases, holes. These components should be replaced immediately.
2. Remove the Cap, and shine a flashlight down the Vent. Remove any bird nests, or other foreign material.
3. Check for evidences of excessive condensation, such as water droplets forming in the inner liner, and subsequently dripping out the joints. Continuous condensation can cause corrosion of caps, pipe, and fittings. It may be caused by having excessive lateral runs, too many elbows, and exterior portions of the system being exposed to cold weather.
4. Inspect joints, to verify that no pipe sections or fittings have been disturbed, and consequently loosened. Also check mechanical supports such as Wall Straps, or plumbers' tape for rigidity.

Log Replacement

The unit should never be used with broken logs. Turn off the gas valve and allow the unit to cool before opening door and carefully remove the logs. (The pilot light generates enough heat to burn someone.) If for any reason a log should need replacement, you must use the proper replacement log. The position of these logs must be as shown in the diagrams under Log Installation.

Note: Improper positioning of logs may create carbon build-up and will severely alter the unit's performance which is not covered under warranty.

Glass Gasket

If the glass seal on the appliance requires replacement a graphite seal specifically designed for this appliance is required. Part # is 666-124 for the sides with 2 required and part # 666-125 for the top/bottom with 8 required. These are applied with self adhesive tape.

There is also gasket installed on each side of the inner glass to protect against breakage when installing the glass. Gasket part number is 936-222. This is sold per foot. 3 feet in total is required to complete both sides.

Glass

Your Regency® fireplace is supplied with high temperature 5mm-Tempered outer glass & 5mm-Ceramic inner glass. If your glass requires cleaning, we recommend using an approved glass cleaner available at all authorized dealers. Do not use abrasive materials.

CAUTION & WARNINGS:

- * Do not clean when the glass is hot.
- * The use of substitute glass will void all product warranties.
- * Care must be taken to avoid breakage of the glass.
- * Do not strike or abuse the glass.
- * Do not operate this fireplace without the glass front or with a cracked or broken glass front.
- * Wear gloves and safety glasses when removing damaged or broken glass.
- * Replacement of the glass panels should be done by a licensed or qualified service person.

Glass replacement

In the event that you break your glass by impact, purchase your replacement from an authorized Regency dealer only. Replacement glass is shipped already installed into the door frame. Reinstall as per Glass Installation in the "Glass Installation" section.

REPLACEMENT GLASS:

CV72E

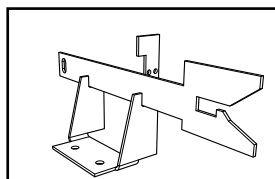
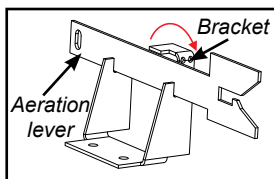
Outer Safety Glass- Tempered (Part#940-490/P)
Inner Glass - Ceramic (Part#940-450 /P)

maintenance

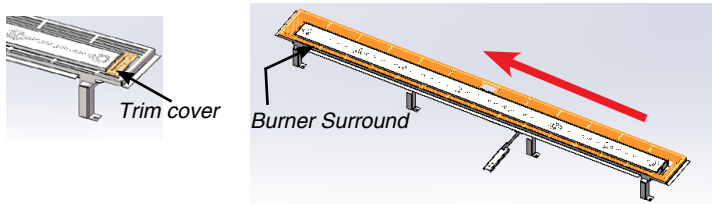
Valve Replacement

Important: Always shut off gas supply/120 volt power prior to servicing the gas valve.

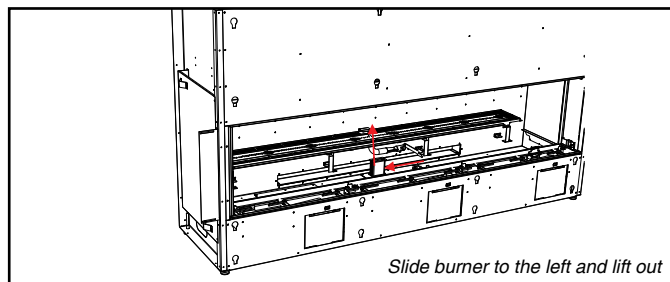
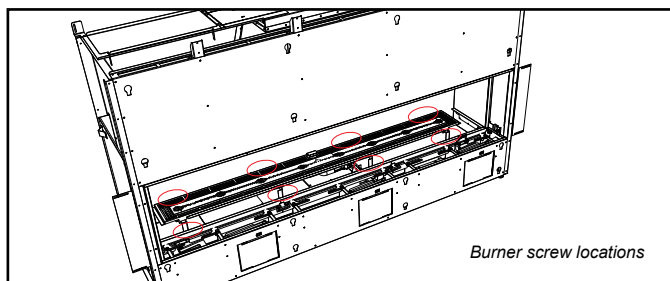
1. Turn off unit and allow to cool to room temperature.
2. Remove outer enamel or steel panels—see instructions in the panel removal section in this manual
3. Remove outer safety (barrier) and inner glass (firebox glass)—see instructions in this manual.
4. Remove all media and logs (if installed) — set aside.
5. Remove inner base panels--see panel section in this manual.
6. Bend the arm of the aeration lever bracket up from 90° to straighten and release aeration lever (lever will come with the burner).



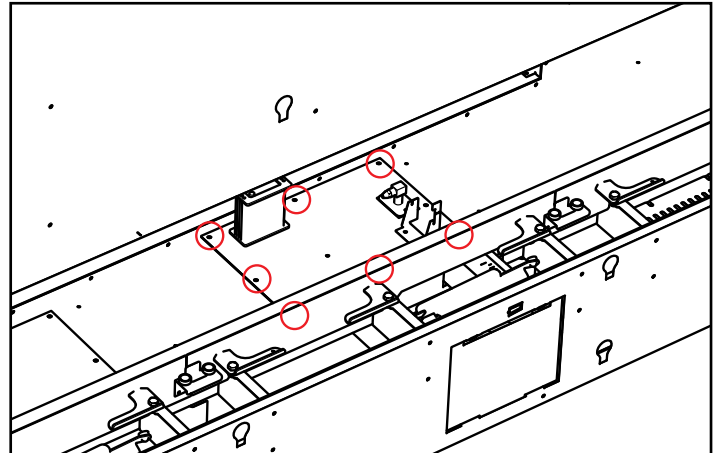
7. Remove the trim cover on right side of burner by lifting off. Also remove the burner surround by sliding to the left and lifting off.



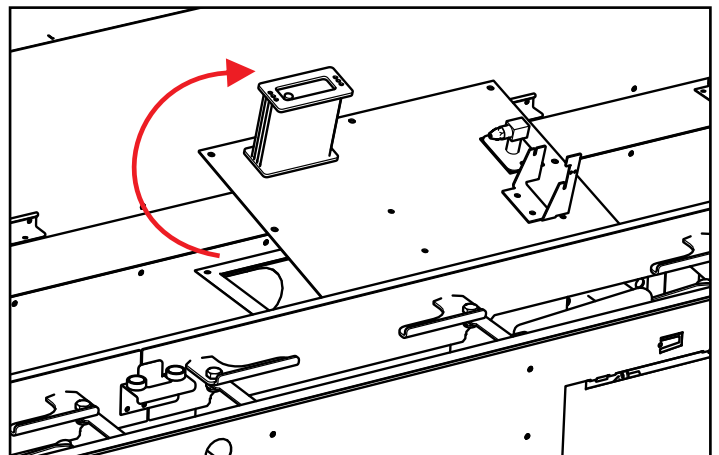
8. Loosen 8 screws in locations shown below (2 at front and 2 at rear)—slide burner to the left away from the orifice and lift out.



9. Remove 8 screws in locations shown below.

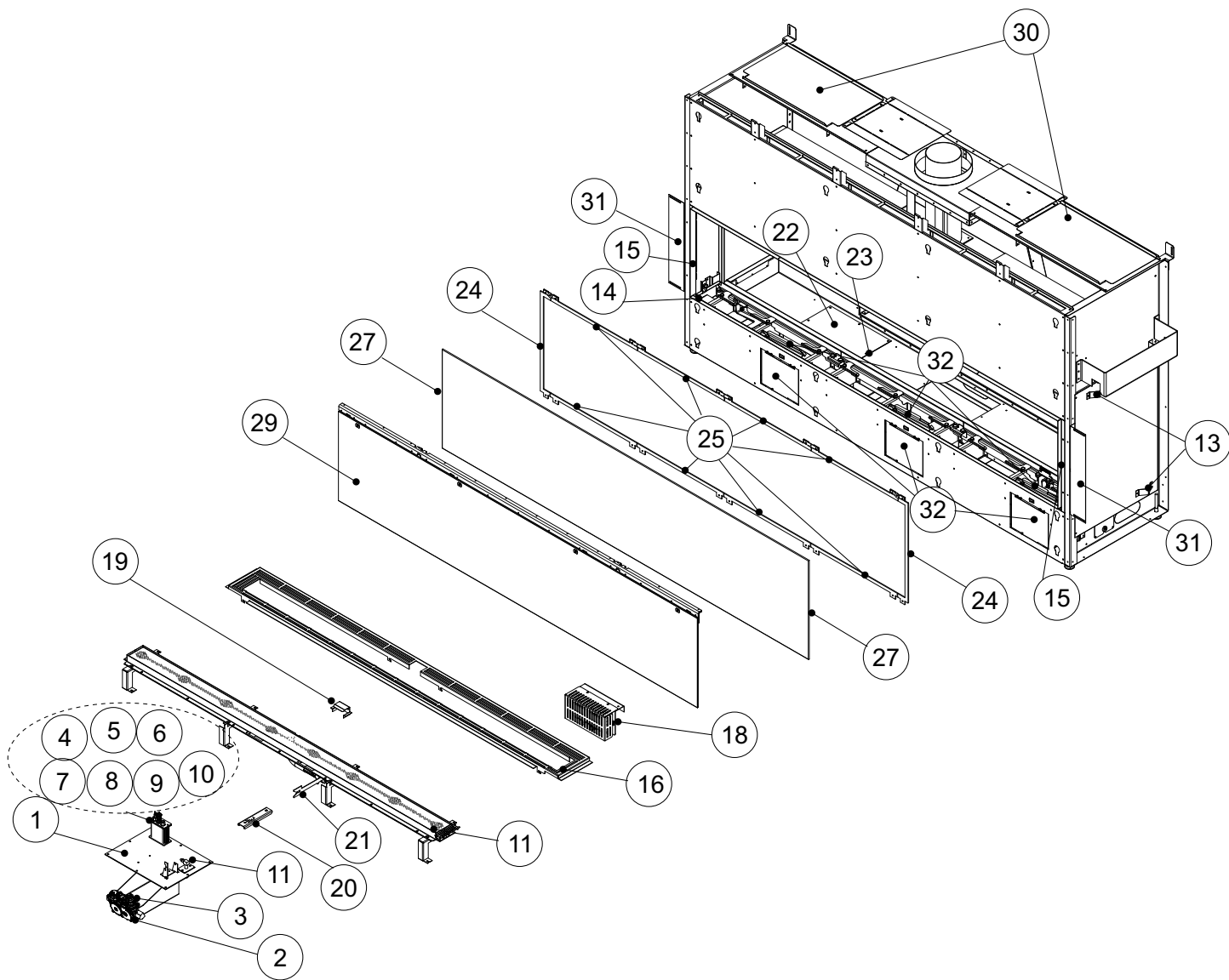


10. Lift valve tray out partially and disconnect flexible gas connection on the valve inlet side, remove valve tray- replace with new valve tray.



11. Reverse Steps 7-1 to complete.

CV72E main assembly



parts list

main assembly

1	666-574/P	Valve Assembly Complete - NG
1	666-776/P	Valve Assembly Complete - LP
2	911-084	Novasit Valve - NG 885 SIT IPI 0.885.001
2	911-085	Novasit Valve - LP 885 SIT IPI 0.885.002
3	911-010	Stepper Motor - NG For 885/886 SIT 0.907.013
3	911-011	Stepper Motor - LP For 885/886 SIT 0.907.012
4	911-139	Novasit Pilot Assembly IPI SIT NG 2 Flame 0.199.064
4	911-281	Novasit Pilot Assembly IPI SIT LP 2 Flame
5	910-100	Novasit Pilot Orifice - NG #62 977.166
5	910-037	Novasit Pilot Orifice - LP #30 977.168
6	911-110	Flame Electrode Spark (Long) 0.915.119
7	911-111	Flame Sense (Long) 0.915.910
8	910-432	Novasit Pilot Tubing With Nuts
9	911-039	Two Way Pilot Hood
10	911-137	Pilot Hood Clip
11	905-013	Burner Orifice #30 - NG (PO512)
11	905-014	Burner Orifice #47 - LP (PO512)
12	666-519/P	Burner Assembly - NG/LP
13	656-074F	Standoff (Each) - 4 per pack
14	666-106	Removable Finishing Lip Front Bottom
15	666-107	Removable Finishing Lip Sides (Each)
16	666-080	Burner Surround
17	666-082	Trim Cover
18	666-085	IFC Cover
19	666-081	Pilot Cover
20	666-075	Air Shutter Adjuster Tool
21	666-074F	Air Shutter Adjuster Slide Plate
22	666-070F	Access Plate
23	666-019	Access Plate/Valve Assembly Gasket
24	666-124	Glass Seal Graphite Sides (Each) 2 per (Self Adhesive)
25	666-125	Glass Seal Graphite Top/Bottom (Each) 8 per (Self Adhesive)
26	666-058	Top Glass Seal Support Bracket (Each)
27	936-222	Inner Glass Side Gasket (Sold Per Foot) (Each) 3 Feet required.
28	940-450/P	Replacement Inner Ceramic Glass
29	940-490/P	Outer Barrier Glass Complete/Includes Bracket
30	666-117	Top Cover Plate
31	656-241F	Side Nailing Strip
32	666-534	Safety glass rest/support
N/S	W840470	Gasket Pilot Assembly
N/S	656-039	Gasket Orifice Mount
N/S	911-181	Wire Harness Battery Box Proflame II
N/S	911-173	Wire Harness IFC No CPI Switch 584.924

N/S	911-266/P	IFC Board SIT Proflm II 7day PV+5 Sec.FFRT 0.584.625
N/S	911-175	Remote Control GTMFL SIT 0.584.042
N/S	910-369	Receptacle Box Low Volt. SC100A
N/S	910-576	Cover Wall Mount White 0.584.803
N/S	910-428	Receptacle Duplex White
N/S	910-429	Receptacle Duplex Metal
N/S	910-430	Receptacle Cover Duplex Metal
N/S	904-687	Connector Clamp 3/8 CI-804
N/S	911-187	Holder Battery W/Switch 584.103
N/S	911-192	Power Cord 120 Volts W/Connector
N/S	905-001	Phillips Offset Screwdriver 3cm x 9cm
N/S	911-193	Connector W/Jumper
N/S	911-209	Wire 2 Pos IFC to Lights
N/S	904-943	Bracket Dormont Orifice Mnt 10-BZ001-19.5
N/S	904-606	Fitting 90 Street Elbow Extruded
N/S	904-165	Fitting 3/8 Male Flarex Mpt Strt Adaptor
N/S	908-529	Label Natural Gas Yellow
N/S	908-528	Label Propane Red
N/S	904-658	Inlet Flex Line Gas SS Steel 24 inch
N/S	948-055	Rubber Adjustable Leg 3/8-16 x 3 in. Nylon Base (Each)
N/S	948-078	Glass Suction Cup (Each)
N/S	904-790	Magnet Round 1/2 inch x 1/8 inch
N/S	904-970	Cup Magnet 1/2 inchx5/8 inch OD (Rivet)
N/S	666-066	Vent Restrictor
N/S	666-005	Side Panel Clip (Each) Painted/Enamel Panel
N/S	666-008	Side Panel Clip (Each) Glass Panel
N/S	666-012	Bottom Rear Bracket (Each) Glass Panel
N/S	656-202	Top Rear Panel Clip (Each) Glass Panel
N/S	656-203	Top Corner Bracket Left Side - Glass Panel
N/S	656-204	Top Corner Bracket Right Side - Glass Panel
N/S	656-206	Bottom Corner Bracket Left/Right (Each) - Glass Panel
N/S	666-111	Primary Air/Aeration Cover Plate
N/S	666-020	Primary Air/Aeration Cover Plate Gasket
N/S	666-021	Pressure Relief Plate Gasket (Each)
N/S	666-087	Light Cover (Each)
N/S	666-088	Light Deflector (Each)
N/S	666-097	Light Shroud (Each)
N/S	656-085	Light Cover Gasket (Each)
N/S	656-131	Bracket Logo
N/S	948-223	Logo Plate Plastic Regency/Flame Silver
N/S	910-199	Clip Wire Holder
N/S	946-634	Glowing Wool Black Sea 6 Gram
N/S	656-047	Rear Log Stand (Each) 3 Per Log Set

N/S	666-037	Upper Glass Bracket
N/S	666-038	Upper Glass Clamp
N/S	666-039	Upper Glass Clamp Left
N/S	666-041	Upper Glass Rail Right
N/S	666-042	Upper Glass Rail Left
N/S	666-052	Lower Glass Rail Left
N/S	666-054	Lower Glass Rail Center
N/S	666-055	Lower Glass Rail Right
N/S	936-243	Upper/Lower Channel/Rail Gasket (Sold per Foot 12 feet required)
N/S	666-056	Glass Support/ Lift Lever (Each)
N/S	666-047	Relief Door Bracket CV72E
N/S	666-048	Relief Door Bracket Right CV72E
N/S	904-531	Plastic Bushing (Each)
N/S	656-279	1/2 " Wrench Leveling Legs
N/S	666-122	Heatwave Heatshield
N/S	666-533	Pressure Relief Assembly (includes gasket)

		Optional Accessories
N/S	666-977	Conversion Kit - LP
N/S	671-930/P	Driftwood Log Set
N/S	671-932/P	Birch Log Set
N/S	666-907*	Inner Panel Black (Painted)
N/S	666-906*	Inner Panel Glass Black
N/S	666-908*	Inner Panel Enamel Black
*		Sold only as complete sets
N/S	656-955	Extended View Kit Black Glass
N/S	666-991	Chase Vent Front Black
N/S	666-995	Adaptor Heat Wave
N/S	946-556	Heatwave Kit
N/S	946-672	Stones - River Pebbles
N/S	946-674	Stones - Ceramic Spa (70 stones)
N/S	946-675	Fireglass Black Reflective 1/4in.1Lb Pkg
N/S	946-676	Fireglass Copper 1/4 in. 1Lb Pkg
N/S	946-677	Fireglass Starfire 1/4 in. 1Lb Pkg
N/S	946-775	Fireglass Black Reflective 1/4in.5Lb Pkg
N/S	946-776	Fireglass Copper 1/4 in. 5Lb Pkg
N/S	946-777	Fireglass Starfire 1/4 in. 5Lb Pkg
N/S	946-780	Crushed Glass Coal Black 3/4in. 3.5 Lbs
N/S	946-781	Crushed Glass Iceberg Chips 3/4in. 3.5 Lbs
N/S	946-735	Firebeads Black 1 Lb Pkg
N/S	946-736	Firebeads Sangria Luster 1 Lb Pkg
N/S	946-737	Firebeads Glacier Ice 1 Lb Pkg
N/S	946-738	Firebeads Caramel Luster 1 Lb Pkg
N/S	946-739	Firebeads Black 5 Lb Pkg
N/S	946-740	Firebeads Sangria Luster 5 Lb Pkg
N/S	946-741	Firebeads Glacier Ice 5 Lb Pkg
N/S	946-742	Firebeads Caramel Luster 5 Lb Pkg
N/S	946-710	Stones -Slate/Grey Basalt Natural 15 lbs
N/S	946-711	Stones - Ivory/Tan Basalt Natural 15 lbs

warranty

Limited Lifetime Warranty

FPI Fireplace Products International Ltd. (for Canadian customers) and Fireplace Products U.S., Inc. (for U.S. customers) (collectively referred to herein as “FPI”) extends this Limited Lifetime Warranty to the original purchaser of this appliance provided the product remains in the original place of installation. The items covered by this limited warranty and the period of such coverage is set forth in the table below.

Some conditions apply (see below).

The policy is not transferable, amendable or negotiable under any circumstances.

Indoor Gas Products Warranty Coverage Parts and Labor	Part				Supplier	Labor Coverage
	Lifetime	5 years	2 years	1 year	Warranty	(Years)
Firebox and Heat Exchanger	✓					3
Steel Burner Tube	✓					3
Glass Thermal breakage only	✓					3
All Surrounds/Inlays Finishes		✓				3
Brick Panels/Log sets/Ceramic Burners		✓				3
All Castings		✓				3
Valve assembly and all gas control components, (Pilot assembly, flame sensors, Spark Electrode, Pilot Tubing, Orifices, Thermocouple, Thermopile)			✓			2
All Other Electrical components,(Ignition Control Boards, Wiring, Switches, Blowers, Blower Control Module, Battery Pack, Remote Control Systems)			✓			2
Enamel Panels			✓			1
Venting/Venting Components			✓			1
All Stainless steel surrounds				✓		1
All Firebox Media (Crystals, Firebeads, Volcanic, Ceramic & Spa Stones)				✓		1
All hardware				✓		1
Mesh/Glass Safety Barriers				✓		1
Accent Light Bulbs				✓		1
Glass (Crazing)				✓		1

Conditions:

Warranty protects against defect in manufacture or FPI factory assembled components only, unless herein specified otherwise.

Any part(s) found to be defective during the warranty period as outlined above will be repaired or replaced at FPI’s option through an accredited distributor, dealer or pre-approved and assigned agent provided that the defective part is returned to the distributor, dealer or agent for inspection if requested by FPI. Alternatively, FPI may at its own discretion fully discharge all of its obligations under the warranty by refunding the verified purchase price of the product to the original purchaser. The purchase price must be confirmed by the original Bill of Sale.

The authorized selling dealer, or an alternative authorized FPI dealer if pre-approved by FPI, is responsible for all in-field diagnosis and service work related to all warranty claims. FPI is not responsible for results or costs of workmanship of unauthorized FPI dealers or agents in the negligence of their service work.

At all times FPI reserves the right to inspect reported complaints on location in the field claimed to be defective prior to processing or authorizing of any claim. Failure to allow this upon request will void the warranty.

All warranty claims must be submitted by the dealer servicing the claim, including a copy of the Bill of Sale (proof of purchase by you). All claims must be complete and provide full details as requested by FPI to receive consideration for evaluation. Incomplete claims may be rejected.

Unit must be installed according to all manufacturers' instructions as per the manual.

All Local and National required codes must be met.

The installer is responsible to ensure the unit is operating as designed at the time of installation.

The original purchaser is responsible for annual maintenance of the unit, as outlined in the owner's manual. As outlined below, the warranty may be voided due to problems caused by lack of maintenance.

Repair/replacement parts purchased by the consumer from FPI after the original coverage has expired on the unit will carry a 90 day warranty, valid with a receipt only. Any item shown to be defective will be repaired or replaced at our discretion. No labor coverage is included with these parts

Exclusions:

This Limited Lifetime Warranty does not extend to paint, rust or corrosion of any kind due to a lack of maintenance or improper venting, combustion air provision, corrosive chemicals (i.e. chlorine, salt, air, etc.), door or glass gasketing.

Malfunction, damage or performance based issues as a result of environmental conditions, location, chemical damages, downdrafts, installation error, installation by an unqualified installer, incorrect chimney components (including but not limited to cap size or type), operator error, abuse, misuse, use of improper fuels, lack of regular maintenance and upkeep, acts of God, weather related problems from hurricanes, tornados, earthquakes, floods, lightning strikes/bolts or acts of terrorism or war, which result in malfunction of the appliance are not covered under the terms of this Limited Lifetime Warranty.

FPI has no obligation to enhance or modify any unit once manufactured (i.e. as products evolve, field modifications or upgrades will not be performed on existing appliances).

This warranty does not cover dealer travel costs for diagnostic or service work. All labor rates paid to authorized dealers are subsidized, pre-determined rates. Dealers may charge homeowner for travel and additional time beyond their subsidy.

Any unit showing signs of neglect or misuse will not be covered under the terms of this warranty policy and may void this warranty. This includes units with rusted or corroded fireboxes which have not been reported as rusted or corroded within three (3) months of installation/purchase.

Units which show evidence of being operated while damaged, or with problems known to the purchaser and causing further damages will void this warranty.

Units where the serial no. has been altered, deleted, removed or made illegible will void this warranty.

Minor movement, expansion and contraction of the steel is normal and is not covered under the terms of this warranty.

FPI is not liable for the removal or replacement of facings or finishing in order to repair or replace any appliance in the field.

Freight damages for products or parts are not covered under the terms of the warranty.

Products made or provided by other manufacturers and used in conjunction with the FPI appliance without prior authorization from FPI may void this warranty.

warranty

Limitations of Liability:

The original purchaser's exclusive remedy under this warranty, and FPI's sole obligation under this warranty, express or implied, in contract or in tort, shall be limited to replacement, repair, or refund, as outlined above. IN NO EVENT WILL FPI BE LIABLE UNDER THIS WARRANTY FOR ANY INCIDENTAL OR CONSEQUENTIAL COMMERCIAL DAMAGES OR DAMAGES TO PROPERTY. TO THE EXTENT PERMITTED BY APPLICABLE LAW, FPI MAKES NO EXPRESS WARRANTIES OTHER THAN THE WARRANTY SPECIFIED HEREIN. THE DURATION OF ANY IMPLIED WARRANTY IS LIMITED TO DURATION OF THE EXPRESSED WARRANTY SPECIFIED ABOVE. IF IMPLIED WARRANTIES CANNOT BE DISCLAIMED, THEN SUCH WARRANTIES ARE LIMITED IN DURATION TO THE DURATION OF THIS WARRANTY.

Some U.S. states do not allow limitations on how long an implied warranty lasts, or allow exclusion or limitation of incidental or consequential damages, so the above limitations or exclusions may not apply to you.

Customers located outside the U.S. should consult their local, provincial or national legal codes for additional terms which may be applicable to this warranty.

How to Obtain Warranty Service:

Customers should contact the authorized selling dealer to obtain warranty service. In the event the authorized selling dealer is unable to provide warranty service, please contact FPI by mail at the address listed below. Please include a brief description of the problem and your address, email and telephone contact information. A representative will contact you to make arrangements for an inspection and/or warranty service.

Canadian Warrantor:

FPI Fireplace Products International Ltd.

6988 Venture St.
Delta, British Columbia
Canada, V4G 1H4

U.S. Warrantor:

Fireplace Products U.S., Inc.

PO Box 2189 PMB 125
Blaine, WA
United States, 98231

Or contact the Regency Customer Care Centre at 1-800-442-7432 (phone) / 604-946-4349 (fax)

Product Registration and Customer Support:

Thank you for choosing a Regency Fireplace. Regency strives to be a world leader in the design, manufacture, and marketing of hearth products. To provide the best support for your product, we request that you complete a product registration form at <http://www.regency-fire.com/Customer-Care/Warranty-Registration.aspx> within ninety (90) days of purchase.



Product Registration and Customer Support:

Thank you for choosing a Regency Fireplace. Regency strives to be a world leader in the design, manufacture, and marketing of hearth products. To provide the best support for your product, we request that you complete a product registration form found on our Web Site under Customer Care within ninety (90) days of purchase.

For purchases made in **CANADA or the UNITED STATES:**

<http://www.regency-fire.com/Customer-Care/Warranty-Registration.aspx>

For purchases made in **AUSTRALIA:**

<http://www.regency-fire.com.au/Customer-Care/Warranty-Registration.aspx>

You may also complete the warranty registration form below to register your Regency Fireplace Product and mail and/or fax it back to us, and we will register the warranty for you. It is important you provide us with all the information below in order for us to serve you better.

Warranty Registration Form (or Register online immediately at the above Web Site):

Warranty Details	
Serial Number (required):	
Purchase Date (required) (mm/dd/yyyy):	
Product Details	
Product Model (required):	
Dealer Details	
Dealer Name (required):	
Dealer Address:	
Dealer Phone #:	
Installer:	
Date Installed (mm/dd/yyyy):	
Your Contact Details (required)	
Name:	
Address:	
Phone:	
Email:	

For purchases made in **CANADA:**

**FPI Fireplace Products
International Ltd.**
6988 Venture St.
Delta, British Columbia
Canada, V4G 1H4

Phone: 604-946-5155
Fax: 1-866-393-2806

For purchases made in the **UNITED STATES:**

Fireplace Products U.S., Inc.
PO Box 2189 PMB 125
Blaine, WA
United States, 98231

Phone: 604-946-5155
Fax: 1-866-393-2806

For purchases made in **AUSTRALIA:**

**Fireplace Products Australia Pty
Ltd**
1- 3 Conquest Way
Hallam, VIC
Australia, 3803

Phone: +61 3 9799 7277
Fax: +61 3 9799 7822

For fireplace care and tips and answers to most common questions please visit our Customer Care section on our Web Site. Please feel free to contact your selling dealer if you have any questions about your Regency product.

Installer: Please complete the following information

Dealer Name & Address: _____

Installer: _____

Phone #: _____

Date Installed: _____

Serial No.: _____