

H Series multi sided



H38CLNI-2 Traditional Corner Left

MONTIGO[®]
the art of **fireplaces**

Add a new dimension of beauty to your home

Enjoy the expanded sense of space and the comfort of a unique modern fireplace. With hundreds of traditional and contemporary options to fit your style, the Montigo H Series is truly the most versatile suite in the industry

Versatility

With dozens of possible configurations, the H Series fireplace can become the centerpiece of any space.

Burner Technology

A flame viewing experience unlike any other. Multiple burner and burner media options are available to achieve that perfect ambience.

Our Guarantee

Rest assured our uncompromising quality and long-term reliability is backed by our limited 10-year warranty.





H42FSDNI See Through



H38PFNI-2 Peninsula



H138CRNI-2 Linear Corner Left



H38FSDNI See Through

Burner Media Accessories Firestones, Fireglass and Firebeads



Glacier HW1219B



Alabaster HW1260



Onyx HW1259



Amber HW1261



Sage HW1082



Ice HW1157



Platinum HW1144



Obsidian HW1113



Copper HW1143



Tuxedo HW1263



Quartz HW1106



Ivory HW1111



Frost HW1112



Ebony HW1091



Coatal HW1262

See Through Linear Burner Conversion Kit

Conversion Kit	Order Code
H38ST Linear Burner Conversion Kit NG	RBHL38S17R
H38ST Linear Burner Conversion Kit LP	RBHL38S18R
H42ST Linear Burner Conversion Kit NG	RBHL42S17R
H42ST Linear Burner Conversion Kit LP	RBHL42S18R

✓ Denotes standard
 ~ Denotes optional but not standard

	See-through	Panorama	Peninsula	Corner
Remote	~	✓	✓	✓
Fans	~	N/A	N/A	N/A

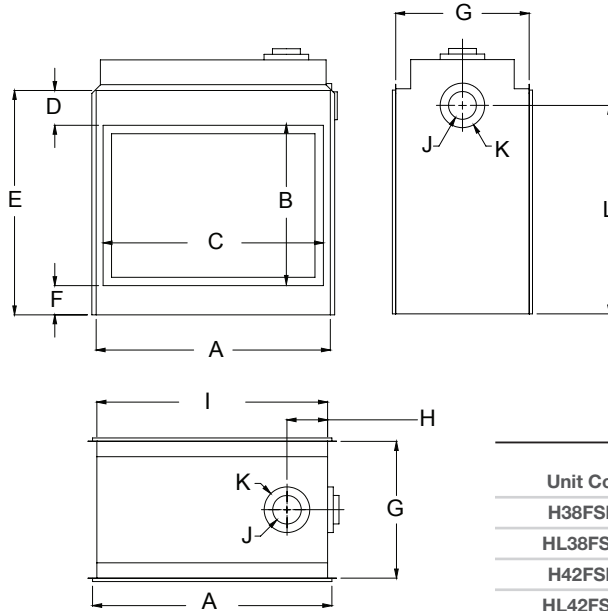


HL38FSDNI See Through with linear conversion kit

H Series See Through Specifications

Unit Dimensions

Unit Dimensions												
	A	B	C	D	E	F	G	H	I	J	K	L
H38DF-ST	37 $\frac{3}{4}$ "	25"	35 $\frac{1}{4}$ "	6 $\frac{1}{4}$ "	36 $\frac{1}{2}$ "	5 $\frac{1}{4}$ "	24"	7 $\frac{1}{2}$ "	36 $\frac{1}{4}$ "	5"	8"	33 $\frac{1}{2}$ "
H42DF-ST	42"	28 $\frac{3}{4}$ "	39 $\frac{1}{2}$ "	6 $\frac{1}{4}$ "	40 $\frac{1}{4}$ "	5 $\frac{1}{4}$ "	24"	7 $\frac{1}{2}$ "	40 $\frac{1}{2}$ "	5"	8"	37 $\frac{1}{2}$ "

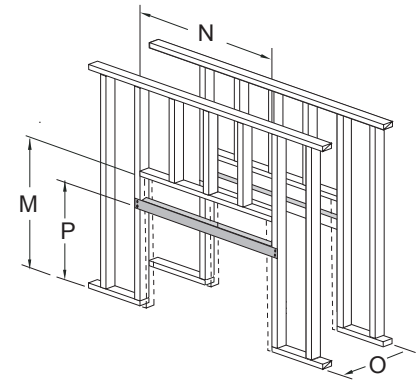


BTU Listing

Unit Code	NG	LP
H38FSD**	34,000	32,000
HL38FSD**	34,000	32,000
H42FSD**	37,000	37,000
HL42FSD**	37,000	37,000

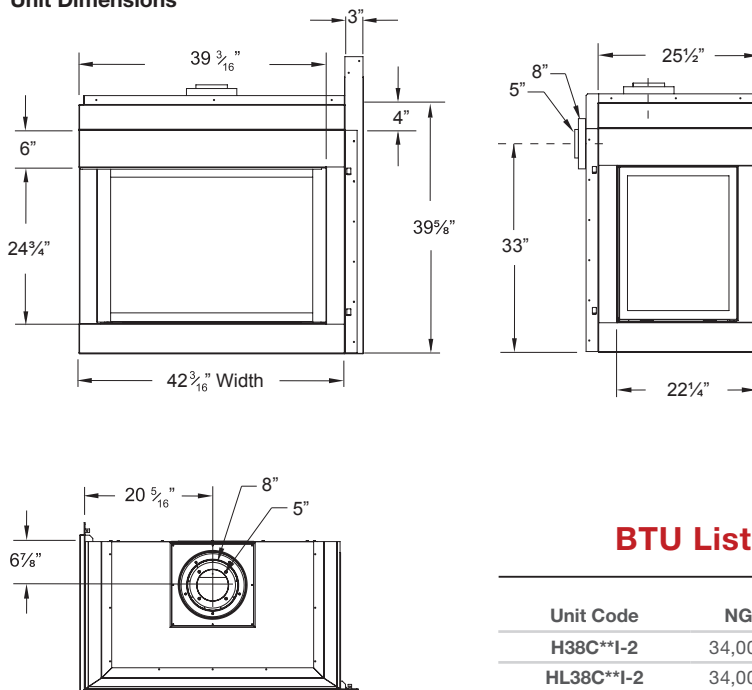
Framing Dimensions

Framing Dimensions				
	M	N	O	P
H(L)38DF-ST	42 $\frac{1}{2}$ "	41 $\frac{1}{4}$ "	23 $\frac{3}{4}$ "	N/A
H(L)42DF-ST	49 $\frac{1}{2}$ "	45"	23 $\frac{3}{4}$ "	46 $\frac{1}{2}$ "



H Series Corner Left / Corner Right Specifications

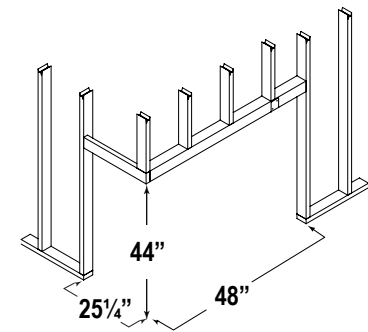
Unit Dimensions



BTU Listing

Unit Code	NG	LP
H38C**I-2	34,000	32,000
HL38C**I-2	34,000	32,000

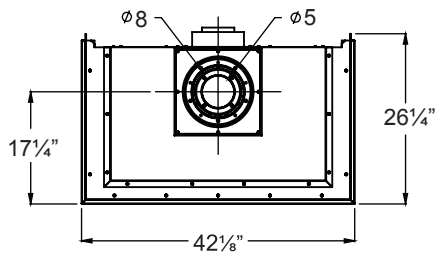
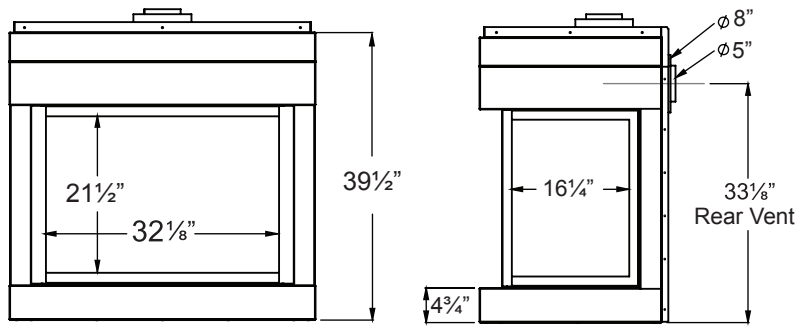
Framing Dimensions



Note: Dimensions shown for Corner Left Unit. Measurements are the same for Corner Right Unit.

H Series Panorama Specifications

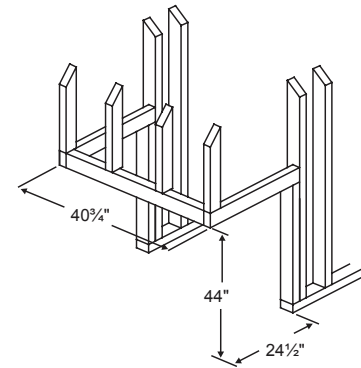
Unit Dimensions



BTU Listing

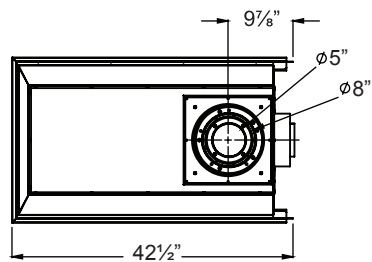
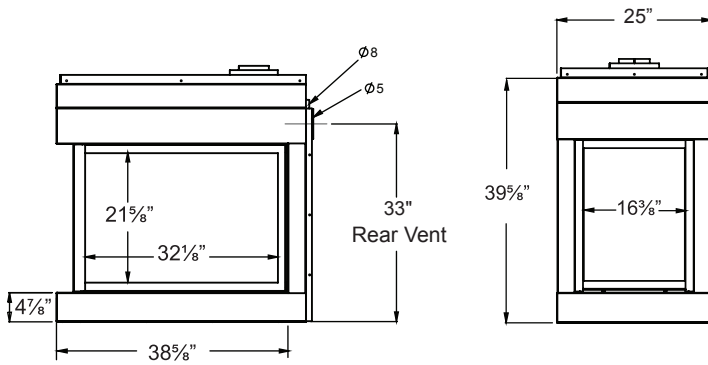
Unit Code	NG	LP
H38PR*I-2	34,000	32,000
HL38PR*I-2	34,000	32,000

Framing Dimensions



H Series Peninsula Specifications

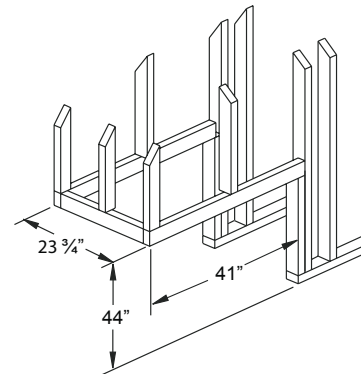
Unit Dimensions



BTU Listing

Unit Code	NG	LP
H38PF*I-2	34,000	32,000
HL38PF*I-2	34,000	32,000

Framing Dimensions



H Series multi sided



H38PRNI-2 Panorama

Consult the owner's manual for complete installation instructions, product dimensions and proper clearances to combustible surfaces prior to installing fireplace. All specifications, framing dimensions, product designs, materials and colors are subject to change without notice. The actual flame pattern and color may vary slightly from the illustrations. Diagrams and illustrations are not to scale. Options & accessories may have associated surcharge.

Available at:

WARNING

Some materials used in the manufacturing process of this product can expose you to Benzene which is known in the State of California to cause cancer and birth defects or other reproductive harm. For more information go to www.P65warnings.ca.gov

ARCAT
Printed in Canada

MONTIGO
the art of fireplaces



P/N XB2215

050619