



i2450 medium wood insert shown with nickel accent door & oversize faceplate.

FEATURES

- EPA 2020 certified
- Large fire viewing area
- Wood finished handle
- Heavy duty cast hinges
- Side mounted air adjustment
- High performance brick-lined firebox
- Clean glass airwash system
- Black convection grilles
- Removable flue collar for ease of install

OPTIONS

- Cast iron door with heat radiating ceramic glass in black or nickel accent
- Nickel convection grilles
- Regular or oversize faceplate (black trim included)
- 2 speed blower
- Regency stainless steel flex liner kits
- Wrap insulation kits
- Flue connectors

SPECIFICATIONS

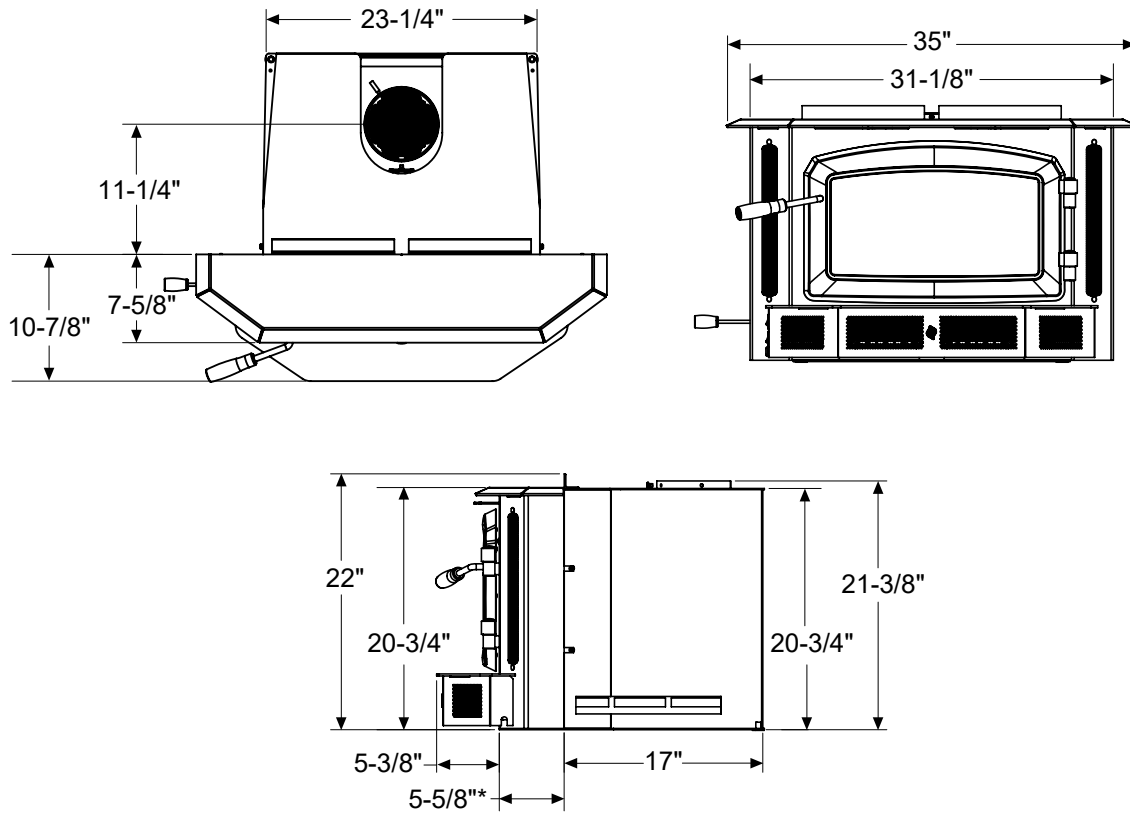
Maximum BTU*	75,000
Typical sq. ft. heated**	1,000 - 2,200
Efficiency (EPA LHV)	72%
Max log size	18"
Burn time	Up to 10 hours
Emissions	1.4 g/h
Firebox size	2.3 cu. ft.
Flue size	6"

* Length of burn time and BTU range depend on type of wood, moisture content, climate conditions and installation.

** Varies depending on home floor plan, house layout, heat loss of the house and quality/moisture content of wood.



DIMENSIONS



*From back of faceplate (not shown) to fuel door opening 7"

CLEARANCES

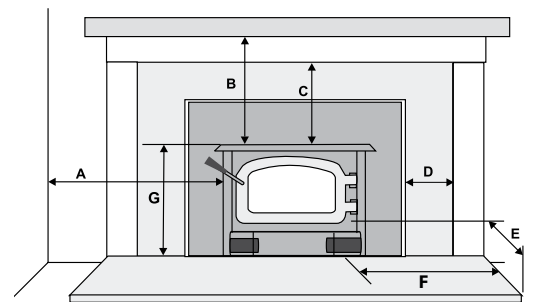
MIN. FIREPLACE OPENING	i2450
Height	21-1/2"
Width (front)	25"
Depth (with standard flue adaptor)	17"
Depth (with offset flue adaptor)	--

MASONRY AND FACTORY BUILT FIREPLACE CLEARANCES

The minimum required clearances to combustible materials when installed into a masonry or factory built fireplace are listed below for 3.5" mantle:

UNIT	ADJACENT SIDE WALL (TO SIDE)	MANTLE (TO TOP OF UNIT)	TOP FACING (TO TOP OF UNIT)	SIDE FACING (TO SIDE OF UNIT)	MIN. HEARTH EXTENSION		MINIMUM HEARTH SIDE EXTENSION	TO TOP OF UNIT
	A	B	C	D	E (USA)	E (CAN)	F	G
i2450**	12"	17-1/4"	16"	1/2"	16"	18"	8"	20"

**NOTE: Refer to manual for any mantle greater than 3.5" up to a maximum of 12".



For installation, framing and clearances see manuals on our website: www.regency-fire.com

NOTE: All product specifications are subject to change without notice.
Before installing refer to the relevant product manual for full and up-to-date information.

[regency-fire.com](http://www.regency-fire.com)