





BONAPARTE 48 LINEAR DIRECT VENT

The Bonaparte 48 is the revolutionary new See-thru fireplace by Savannah. It is the next fireplace to emerge from the ever evolving and original line of fireplaces from Savannah. The Bonaparte is a 48" wide linear See-thru fireplace that is amazingly only 8-3/4" deep for framing.

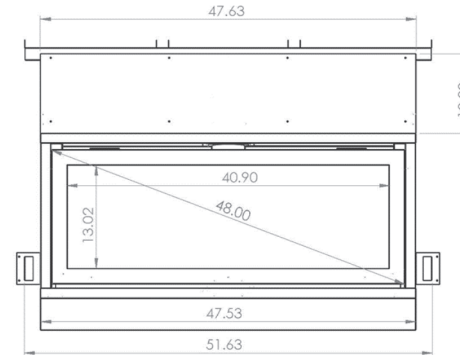
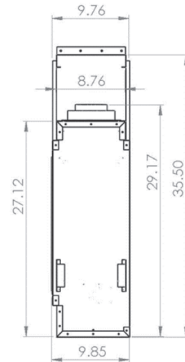
It boasts a potent 26,000 BTU's (w/ a turn down to 16,000 on low) and a full Deluxe system, minus the fan option. There is enough heat thrown by this unit that a fan is unnecessary. After all, we want to be able to enjoy the beautiful flame as much as possible.

The Bonaparte 48 is a sleek fireplace that will be easy to accommodate in both new home and of course renovation applications. When you are this narrow, you can fit almost anywhere.

DIMENSIONAL CHART AND FEATURES



Model	BTU's		Vent	Height		Width		Depth		Viewing Area		Efficiency EnerGuide
	Natural Gas	Propane		Actual	Framing	Actual	Framing	Actual	Framing	Height	Width	
Bonaparte 48	Hi	26,000	Top	27"	56"	47.63"	51-3/4"	9.85"	8-3/4"	13"	41"	65.8%
	Lo	16,000	4" & 6"									



Standard Features:

- Linear Design
- 26,000BTU
- Full Deluxe System (no Fan)
- Borosilicate Glass
- Black Glass and Grey Pebble Kit

Surrounds:

- No Surround

Options:

- Driftwood & Media Kits
- Ceramic Stone
- Media Kits

MADE IN CANADA



Quality Craftsmanship

Savannah's products are designed with superior components and materials, assembled by trained craftsmen who take great pride in their work.

The burner and valve assembly are leak tested and test fired at a quality control test station. Once assembled the complete fireplace is thoroughly inspected by a qualified technician, before packaging, to ensure that you, the customer, receives the quality product that you expect from Savannah.

MEDIA ACCESSORIES

