

NAPOLEON[®]
FIREPLACES
COM



Ascent™ 36 shown with MIRRO-FLAME™ porcelain reflective radiant panels

AVAILABLE NOW



ASCENT™ 36

DIRECT VENT GAS FIREPLACE



For more information or to place an order call 1-800-461-5581 or visit napoleonfireplaces.com

Ascent™ 36

Napoleon's Ascent™ 36 adds ambiance to any room and is perfect for builders and homeowners alike. The shallow depth allows for versatile installations where space is at a premium and is also ideal for corner applications. The clean face design of the Ascent™ 36 maximizes the viewing area so the realistic flames and hand painted PHAZER® log set are enjoyed to their fullest.

Product Features

- Exclusive PHAZER® log set and glowing ember bed are the most realistic in the industry
- Clean face design with no louvres
- Pan style burner
- Flex connector complete with shut off (Electronic ignition system only)
- Standard safety screen
- Millivolt or Electronic ignition systems available
- Optional MIRRO-FLAME™ Porcelain Reflective Radiant Panels
- Optional decorative Heritage front, Zen front or 2" trim kit
- Optional remote control
- Optional blower kit



Features/Options/Accessories



Heritage Decorative Front



Zen Decorative Front



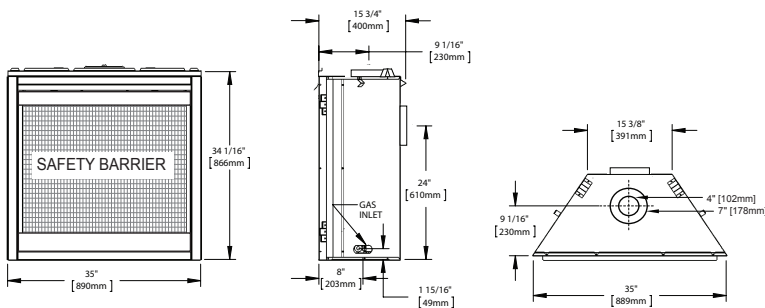
2" Trim Kit



MIRRO-FLAME™ Porcelain Reflective Radiant Panels



Convenient Remote Control



Napoleon®, leaders in design & technology have developed safety screens with aesthetically pleasing designs for every gas appliance to ensure ultimate safety and peace of mind for your family.

Model	BTU's (Input)	Venting 4" & 7"	Height		Width		Depth		Efficiency		Blower
			Actual	Framing	Actual	Framing	Actual	Framing	EnerGuide	Steady State	
B36	18,000	Top/Rear	34 1/16"	34 3/4"	35"	35 1/2"	15 3/4"	16"	74.5%	76.3%	Optional

Certified under Canadian and American National Standards
 Figures may vary with individual conditions such as floor plan layout, insulation value/heat loss of the house and geographical location.

Consult your owner's manual for complete installation instructions, accurate framing dimensions and proper clearances to combustible material. Check all local and national building codes and gas regulations. All specifications are subject to change without prior notice due to on-going product improvements. Products may not be exactly as shown. Napoleon® is a registered trademark of Wolf Steel Ltd. © Wolf Steel Ltd.



24 Napoleon Road, Barrie, Ontario, Canada L4M 0G8
 103 Miller Drive, Crittenden, Kentucky, USA 41030
 7200 Trans Canada Highway, Montreal, Quebec, Canada H4T 1A3
 Tel: 705-721-1212 Fax: 705-722-6031
 napoleonfireplaces.com



Authorized Dealer

