

• INTRODUCING REGENCY'S NEWEST LINE •

GRANDVIEW

GAS FIREPLACES



 **REGENCY**[®]
FIREPLACE PRODUCTS
REGENCY-FIRE.COM



Grandview G800EC shown with birch log package and castlestone inner panels in an outside finish installation.



Grandview G800EC shown with contemporary crystal tray and black reflective inner panels in a flush finish installation.



Grandview G800EC shown with oak log package and standard rustic brown inner panels in a cool wall flush finish install using wallpaper.

One Fireplace, Unlimited Possibilities

Designed using customer feedback, the Regency Grandview gas fireplace is our most flexible fireplace yet! Fully customizable with over 960 unique combinations to create the perfect fireplace for your home. Experience the stunning flame picture and designer-inspired accessories that makes the Grandview the perfect centerpiece for any home.

Your Fireplace, Your Way

INTRODUCING GRANDVIEW G800EC – Medium Gas Fireplace

Choose stunning flame picture, choose your accessories, and create a one-of-a-kind fireplace. The Regency Grandview G800EC is the *first of our Grandview series* of gas fireplaces that are designed to maximize choice and customization.

STANDARD FEATURES

- Clean front design
- Largest viewing area in its class
- Standard top down and ember-bed lighting
- Integrated safety screen
- Ceramic glass
- Flame height adjustment control
- Proflame II GTMF remote control
- Electronic ignition
- Rear or top vent for versatile installations
- Natural gas
- Limited lifetime warranty

OPTIONS

- Choose from a log grate and traditional style log package or contemporary crystal tray
- Cool Wall system to allow for any finishing material right to the edge of the fireplace
- Brick panels in a variety of colors and designs
- Inner reflective panels in black enamel
- Inner painted black steel panels
- Surrounds in various colors
- Finishing trims for easy finishing around the fireplace
- Variable speed blower
- Chase vent (cool wall installations)
- Propane conversion kit
- Vertical or horizontal vent terminations
- AstroCap® venting system

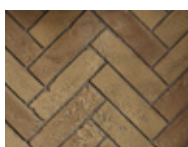
SPECIFICATIONS	NATURAL GAS	PROPANE
Input (BTU)	27,000	25,500
Turn Down to (BTU)	15,000	21,000
Efficiency (Steady State)	65.20%	68.16%
EnerGuide Rating (Canada Only)	58.22%	60.92%

DIMENSIONS	
Viewing Area	800 sq. in.
Width	36"
Height	34"
Depth	16-7/8"

MULTIPLE INTERIOR PANELS



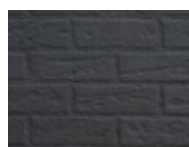
Standard - Rustic Brown



Herringbone - Rustic brown



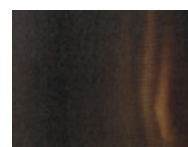
Castlestone



Standard - Volcanic Black



Painted Black Steel Panels



Black Enamel Reflective Panels

MULTIPLE INTERIOR OPTIONS

CONTEMPORARY

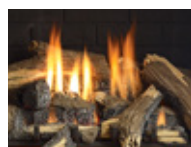


Crushed Glass in Various Colors

TRADITIONAL

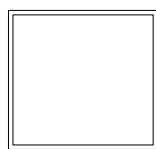


Birch Log Set

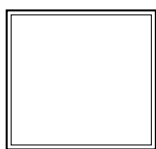


Oak Log Set

MULTIPLE FRONT OPTIONS



Clean Front Finishing Trim



Outside Finishing Trim

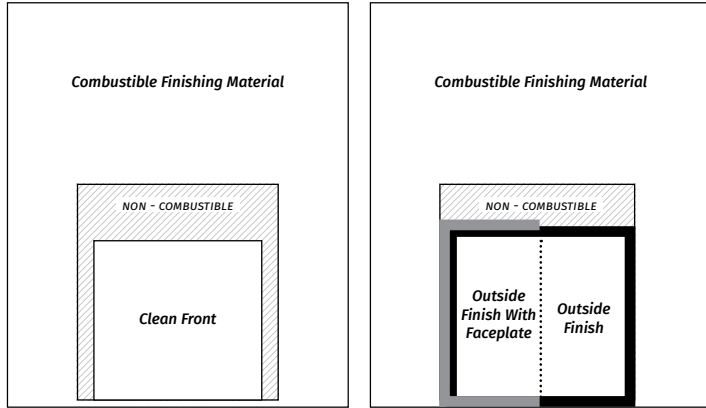
AVAILABLE IN 3 COLOURS

- Black
- Brushed Nickel
- Antique Copper

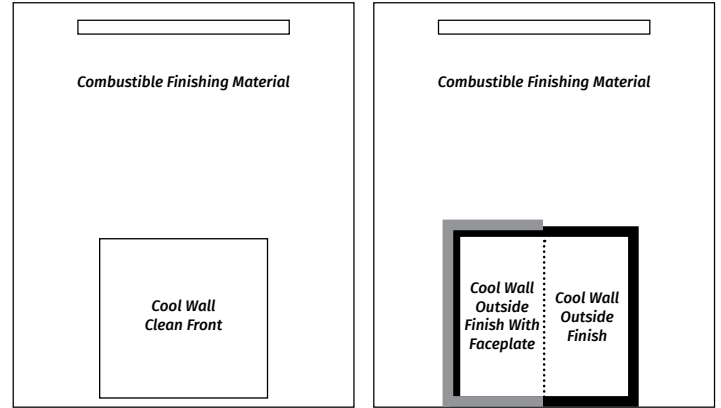
Faceplate

INSTALLATION OPTIONS

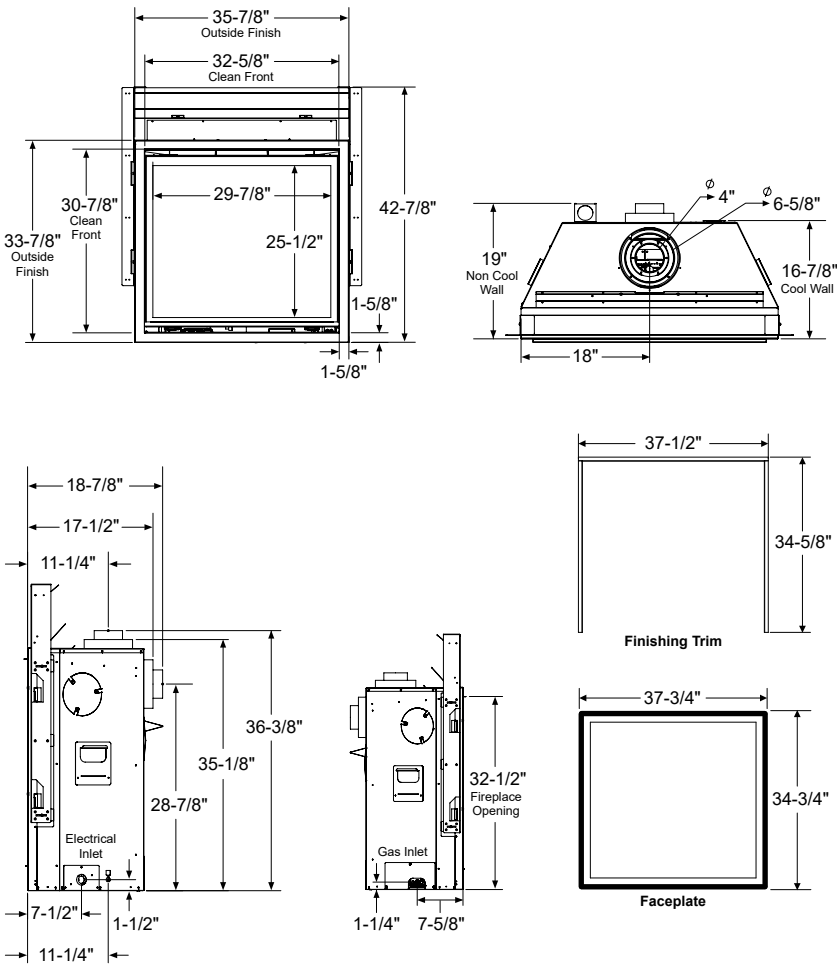
Non-Combustible Finishing Install



Combustible Finishing Install with Cool Wall

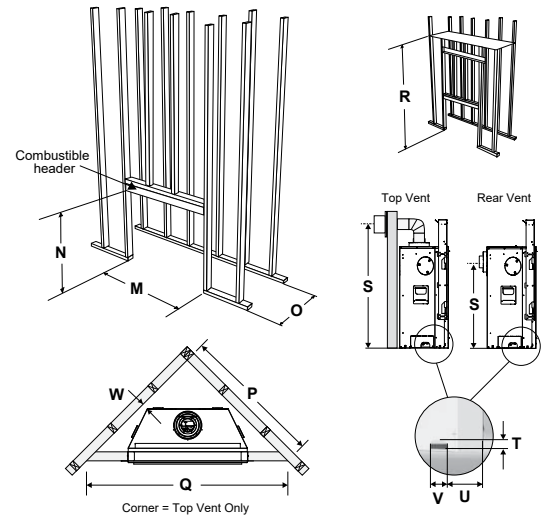


DIMENSIONS



NOTE: For full latest up to date installation and clearances details, please always refer to the manual.

FRAMING



IMPORTANT: Corner applications are vented from the top only - rear venting cannot be used.

FRAMING	COOL WALL	CLEAN FRONT	OUTSIDE FINISH
M Framing Width	36-1/2"	37-1/2"	36-1/2"
N* Framing Height	43"	43"	43"
O Framing Depth	16-7/8"	19-1/4"	19-1/4"
P Corner Facing Wall Width	42-1/2"	61-1/4"	46-1/2"
Q Corner Facing Wall Width	60"	86-5/8"	65-3/4"
R Framed Chase Ceiling Enclosure	80"	62"	62"
S Vent Centerline Height - Rear	29"	29"	29"
S Vent Centerline Height - Top	44"	44"	44"
T Gas Connection Height	1-1/2"	1-1/2"	1-1/2"
U Gas Connection Inset	6-3/8"	6-3/8"	6-3/8"
V Gas Connection Width	3"	3"	3"
W Clearance to Corner of Unit	2-3/4"	2-3/4"	2-3/4"
Non-combustible Height	--	11-1/2"	10"

* Important: Framing height requires consideration of the hearth depth. Dimension N = N + the thickness of the installed hearth.